

Hot Air Gun - 0 603 290 739 - PHG 630-2 LCE

www.powertools-aftersaleservice.com

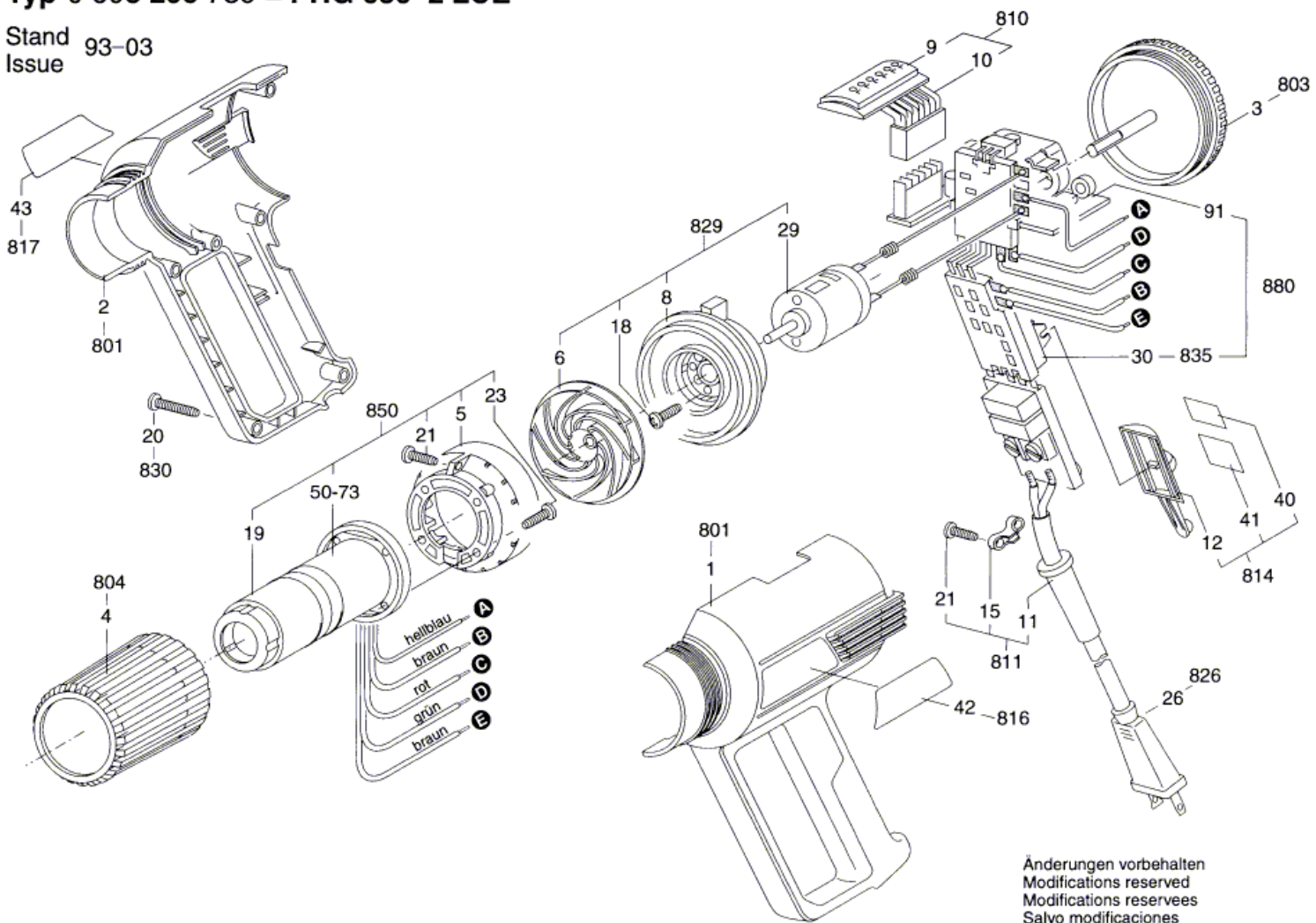


BOSCH

| Item | Part Number | Description | Illustration | Price | Quantity | Price Group |
|------|---------------|-------------------------------------|--------------|-------|----------|-------------|
| 753 | 2 605 438 391 | Tool Case | N/A | -,- | 1 | - |
| 801 | 1 609 202 645 | Housing Section BLUE | 1 | -,- | 1 | - |
| 803 | 1 609 202 603 | Thumbwheel | 1 | -,- | 1 | 21 |
| 804 | 1 609 202 604 | Protective Tube | 1 | -,- | 1 | 23 |
| 810 | 1 609 202 605 | Light Conductor | 1 | -,- | 1 | 17 |
| 811 | 1 609 202 606 | Grommet | 1 | -,- | 1 | 13 |
| 814 | 1 609 202 607 | Switch Button | 1 | -,- | 1 | 20 |
| 816 | 1 601 118 064 | Manufacturer's nameplate | 1 | -,- | 1 | 14 |
| 817 | 1 601 118 092 | Nameplate | 1 | -,- | 1 | - |
| 826 | 1 609 202 623 | Power supply cord | 1 | -,- | 1 | - |
| 829 | 1 609 202 634 | DC motor 115-120V | 1 | -,- | 1 | - |
| 830 | 2 910 615 407 | Tapping Screw DIN 7981-ST2,9x16-F-H | 1 | -,- | 6 | 10 |
| 835 | 1 609 202 624 | On-Off Switch | 1 | -,- | 1 | - |
| 850 | 1 609 202 635 | Printed-Board Assembly 120V | 1 | -,- | 1 | - |
| 880 | 1 609 202 631 | Printed-Board Assembly 100-120V | 1 | -,- | 1 | 45 |

Typ 0 603 290 739 = PHG 630-2 LCE

Stand 93-03
Issue



Änderungen vorbehalten
Modifications reserved
Modificacions reserves
Salvo modificaciones
Robert Bosch GmbH
Geschäftsbereich Elektrowerkzeuge
D 7022 Leinfelden-Echterdingen 1

Information subject to change without further notice.