



BOSCH

Portable Planer

PLH181 | 3 601 EA0 310

Table of Content

Spare parts list.....	2
Illustration - Type.....	3

Spare parts list

Item	Part Number	Description	Illustration
5	1 607 233 414	Electronics Module	1
6	2 604 690 055	Compression Spring	1
9	2 601 112 125	Manufacturer's nameplate Lithium-Ion 18V	1
19	2 603 490 022	Screw 4x16	1
20	2 605 133 037	Handle DARK BLUE	1
21	2 605 500 209	Belt Cover BLACK	1
22	2 600 409 026	Deflector Pipe	1
25	2 604 736 001	Toothed Belt	1
27	2 610 942 930	Trigger	1
28	2 610 955 167	Locking Slide	1
32	2 602 026 180	Rotary Handle BLACK	1
33	2 600 590 006	Ratchet Cap	1
34	2 603 100 056	Damping rubber	1
40	2 915 011 007	Hex Nut DIN 934-M6-8-A	1
41	1 907 950 003	Offset Screwdriver DIN 911 SW2,5	1
42	1 610 910 057	Needle bearing Ø8xØ12x10 MM	1
50	2 608 584 003	Planer Head	1
210	2 601 112 127	Warning Plate	1
211	2 601 112 126	Reference Plate	1
801	2 605 105 968	Housing DARK BLUE	1
802	2 606 625 910	Drive Unit 18V	1
804	1 609 280 478	Contact retainer	1
851	2 608 635 341	Planing Knife	1
853	2 603 400 016	Set screw	1
651	2 607 336 819	Battery Pack USA BAT620 18V 4,0Ah	2
652	2 609 111 412	Parallel-Guide	2
653	2 607 225 927	Charger USA BC 1880 CV 13,3-18V/120V	2
654	2 609 170 013	Dust Bag	2
656	2 607 001 047	Parts Set	2

Illustration - Type - E

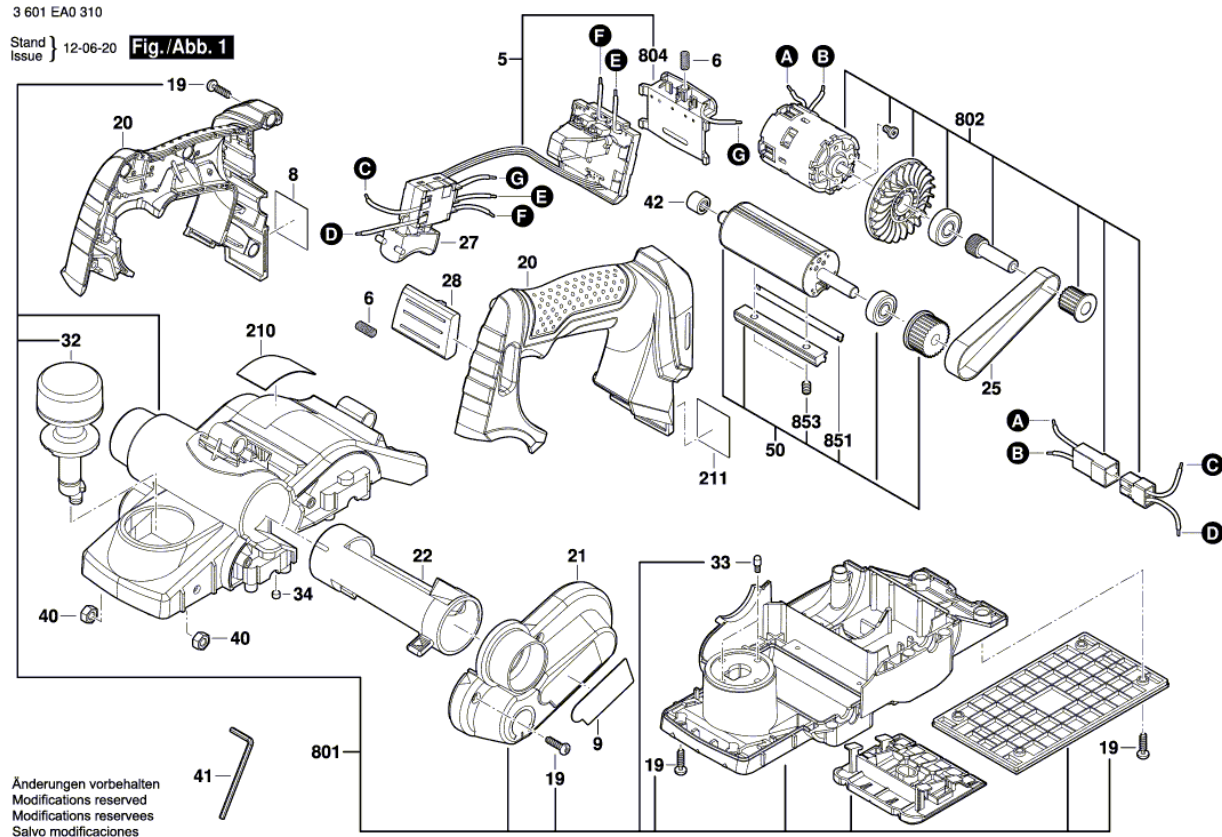
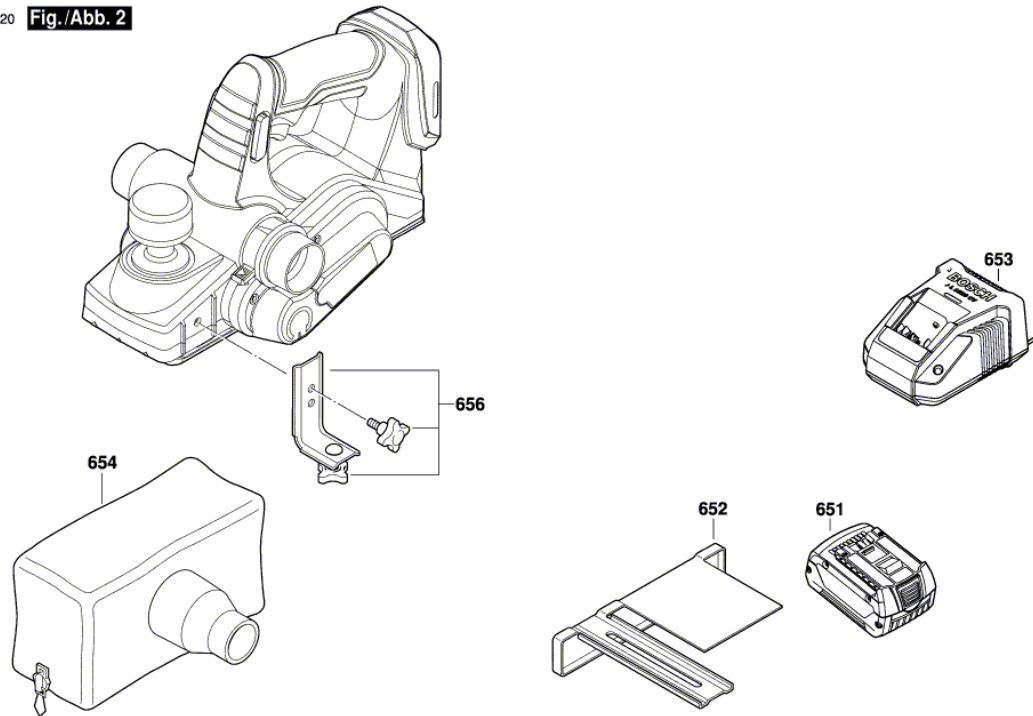


Illustration - Type - E

3 601 EA0 310

Stand } 12-06-20 **Fig./Abb. 2**
Issue }



Änderungen vorbehalten
Modifications reserved
Modifications reserves
Salvo modificaciones