

POWERMATIC®

Operating Instructions and Parts Manual 10-inch Cabinet Saw Model PM2000B

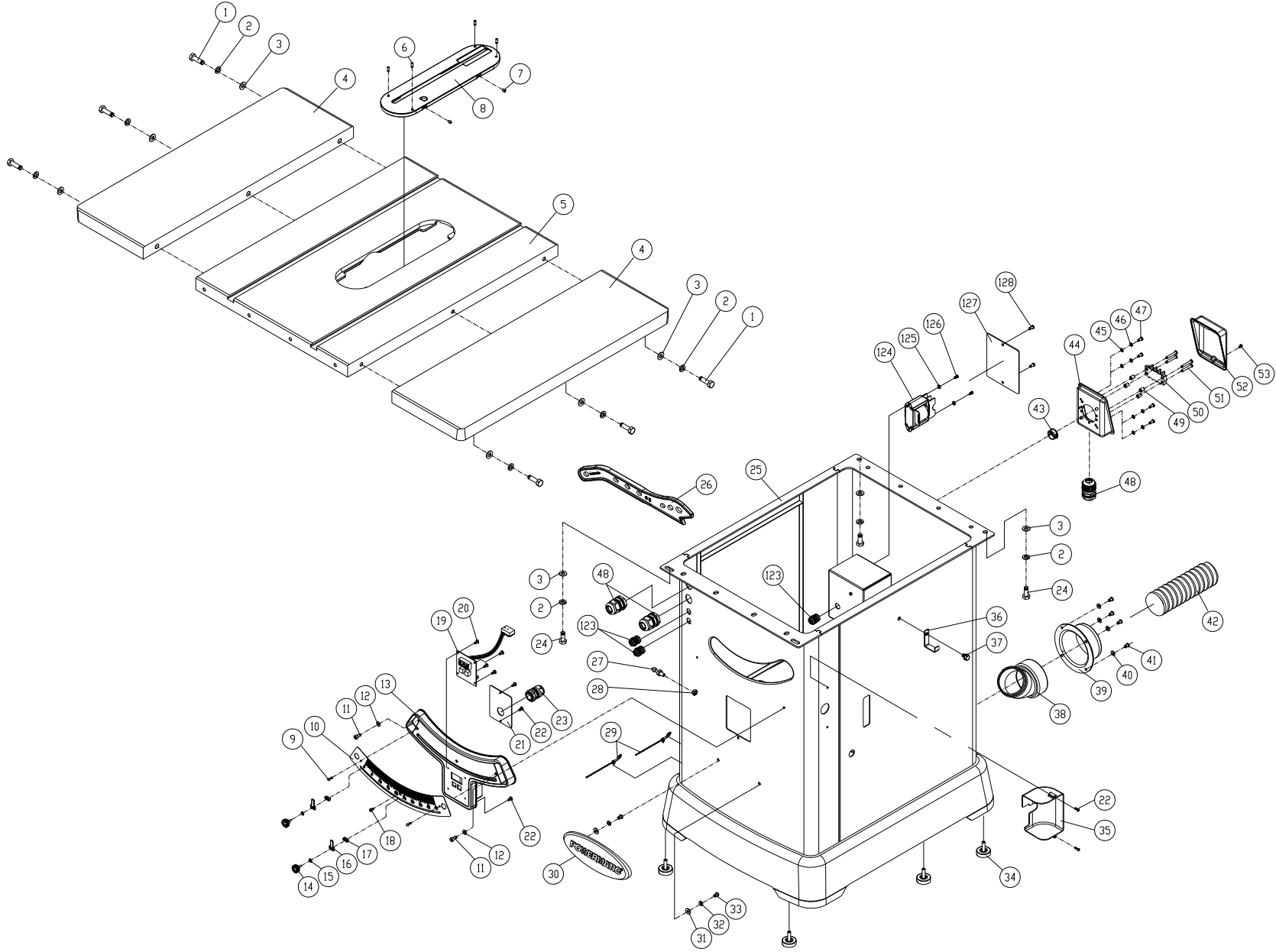


Shown with 30-inch rail set

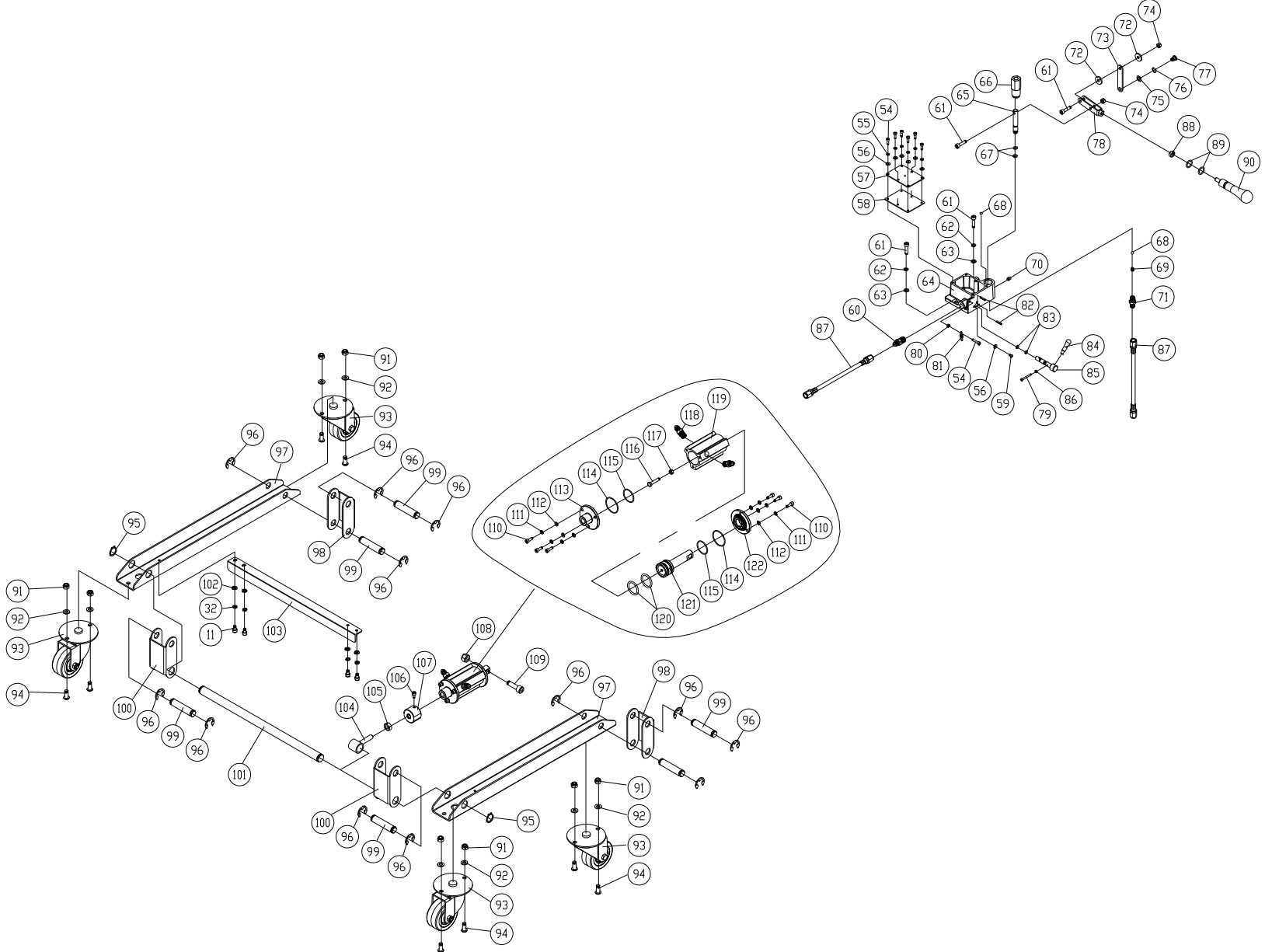
Powermatic
427 New Sanford Road
LaVergne, Tennessee 37086
Ph.: 800-274-6848
www.powermatic.com

Part No. M-PM231B
Edition 1 09/2017
Copyright © 2017 Powermatic

14.1.1 PM2000B Table and Cabinet Assembly I – Exploded View



14.1.2 PM2000B Table and Cabinet Assembly II – Exploded View



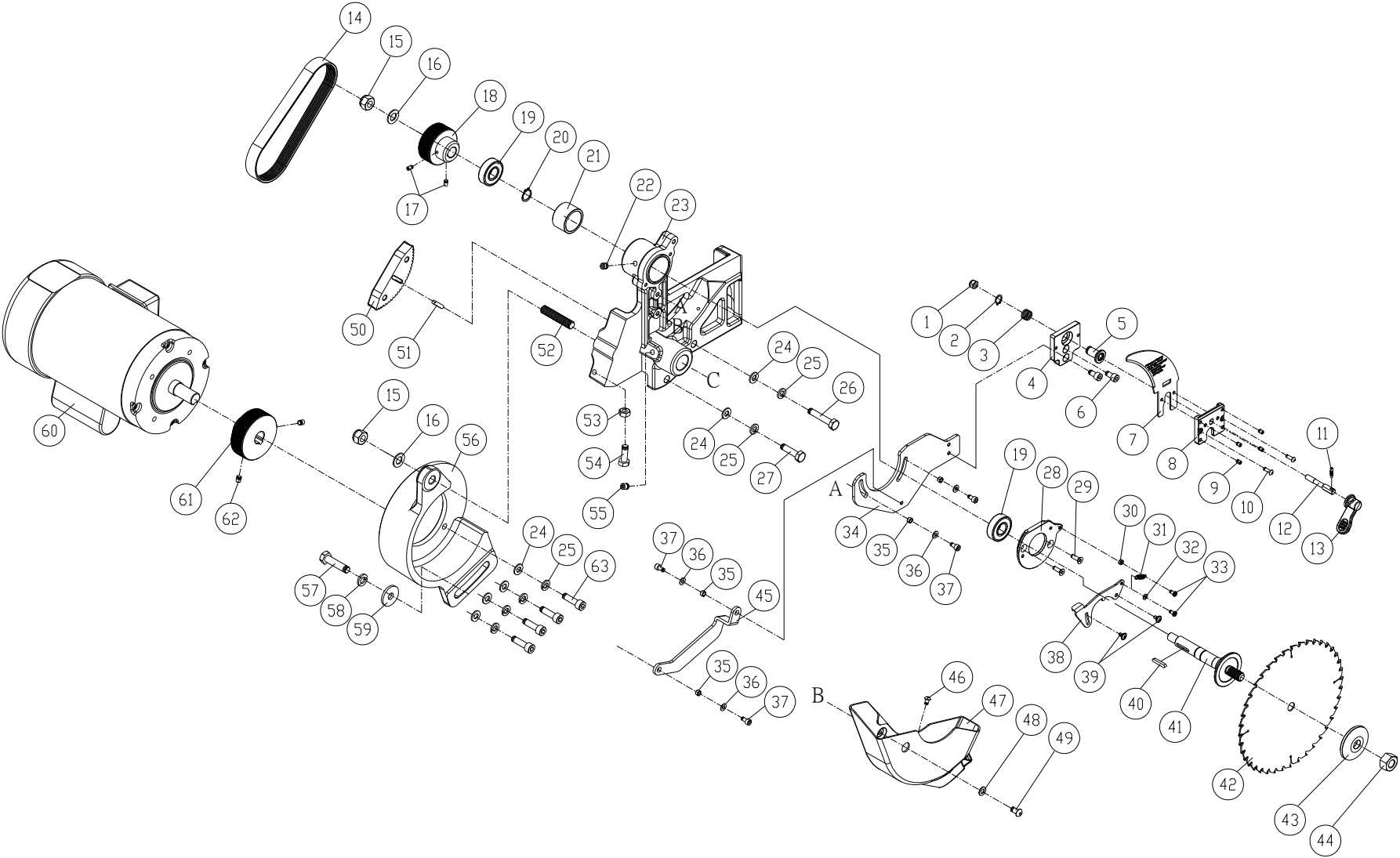
14.1.3 PM2000B Table and Cabinet Assembly – Parts List

| Index No | Part No | Description | Size | Qty |
|----------|--------------|--|--------------------|-----|
| 1 | TS-149105 | Hex Cap Screw | M10-1.5 x 35L | 6 |
| 2 | TS-2361101 | Lock Washer | M10 | 10 |
| 3 | TS-1550071 | Flat Washer | 10 x 20 x 2.0T | 10 |
| 4 | PM2000B-104 | Extension Table | | 2 |
| 5 | PM2000B-105 | Table | | 1 |
| 6 | F010395L | Soc Set Screw CPP w/thrdlckr | M5-0.8 x 12L | 4 |
| 7 | PM2000B-107 | Plunger | | 2 |
| 8 | PM2000B-108 | Table Insert | | 1 |
| 9 | PM2000B-109 | Phillips Socket HD Tapping Screw | M4-1.41P x 12L | 2 |
| 10 | PM2000B-110 | Tilt Angle Scale | | 1 |
| 11 | TS-1503031 | Socket Head Cap Screw | M6-1.0 x 12L | 6 |
| 12 | TS-1550041 | Flat Washer | 6.2 x 13 x 1.5T mm | 2 |
| 13 | PM2000B-113 | Scale Base w/Label | | 1 |
| 14 | PM2000B-114 | Angle Reference Knob | | 2 |
| 15 | TS-1550031 | Flat Washer | 5.2 x 10 x 1.0T mm | 2 |
| 16 | PM2000B-116 | Specific Angle Reference | | 2 |
| 17 | PM2000B-117 | Special Nut | | 2 |
| 18 | PM2000B-118 | Phillips Flat HD Tapping Screw | M4-1.41P x 10L | 1 |
| 19 | PM2000B-119 | Sensor Assembly | | 1 |
| 20 | PM2000B-120 | Phillips Pan HD Tapping Screw | M3 x 1.06P x 10L | 4 |
| 21 | PM2000B-121 | DRO Box Cover | | 1 |
| 22 | PM2000B-122 | Phillips Round HD Tapping Screw | M4 x 1.41P x 10L | 5 |
| 23 | PM2000B-123 | Strain Relief | PGA16-14B | 1 |
| 24 | TS-1491031 | Hex Cap Screw | M10-1.5 x 25L | 4 |
| 25 | PM2000B-125 | Cabinet (for 3HP 1PH and 5HP 1PH) | | 1 |
| | PM2000B-125A | Cabinet (for 5HP 3PH) | | 1 |
| 26 | PM2000B-126 | Push Stick | | 1 |
| 27 | PM2000B-127 | Peg | | 1 |
| 28 | TS-2311081 | Hex Nut | M8-1.25 | 1 |
| 29 | PM2000B-129 | Cable Tie | | 2 |
| 30 | PM2000B-130 | Powermatic Logo | | 1 |
| 31 | TS-1550041 | Flat Washer | 6.7 x 16 x 2.0T mm | 2 |
| 32 | TS-0720071 | Lock Washer | 1/4" | 6 |
| 33 | PM2000B-133 | Phillips Round HD Machine Screw | 1/4"-20UNC x 3/8"L | 2 |
| 34 | PM2000B-134 | Leveling Foot | | 4 |
| 35 | PM2000B-135 | Sensor Assembly Cover | | 1 |
| 36 | PM2000B-136 | Hanger | | 1 |
| 37 | PM2000B-137 | Hex Cap Screw w/Flat Washer | M8-1.25 x 12L | 1 |
| 38 | PM2000B-138 | Dust Chute Adaptor | | 1 |
| 39 | PM2000B-139 | Dust Port | | 1 |
| 40 | TS-1550041 | Flat Washer | 6.2 x 13 x 1.5T mm | 4 |
| 41 | TS-2246122 | Socket Head Button Screw | M6-1.0 x 12L | 4 |
| 42 | PM2000B-142 | Dust Hose | | 1 |
| 43 | PM2000B-143 | Grommet | | 1 |
| 44 | PM2000B-144 | Terminal Box | | 1 |
| 45 | F002097 | Lock Washer, Ext Tooth | M5 | 4 |
| 46 | TS-1550031 | Flat Washer | 5.3 x 10 x 2.0T mm | 4 |
| 47 | TS-1533042 | Phillips Pan HD Machine Screw | M5-0.8 x 12L | 4 |
| 48 | PM2000B-148 | Strain Relief (only for 3HP, 1PH) | MG25AS-14B | 1 |
| | PM2000B-148A | Strain Relief (only for 5HP, 1PH & 5HP, 3PH) | MG25A-18B | 1 |
| 49 | PM2000B-149 | Spacer | | 4 |
| 50 | PM2000B-150 | Terminal Plate | | 1 |
| 51 | F001221 | Phillips Pan HD Machine Screw | M5-0.8 x 35L | 4 |
| 52 | PM2000B-152 | Terminal Box Cover | | 1 |
| 53 | F000648 | Phillips Pan HD Machine Screw | #10-24UNC x 1/4L | 1 |
| 54 | TS-1501041 | Socket Head Cap Screw | M4-0.7 x 12L | 7 |
| 55 | TS-2361041 | Lock Washer | M4 | 6 |
| 56 | TS-1550021 | Flat Washer | 4.3 x 10 x 1.0T mm | 7 |
| 57 | PM2000B-157 | Oil Tank Cover | | 1 |
| 58 | PM2000B-158 | Gasket | | 1 |

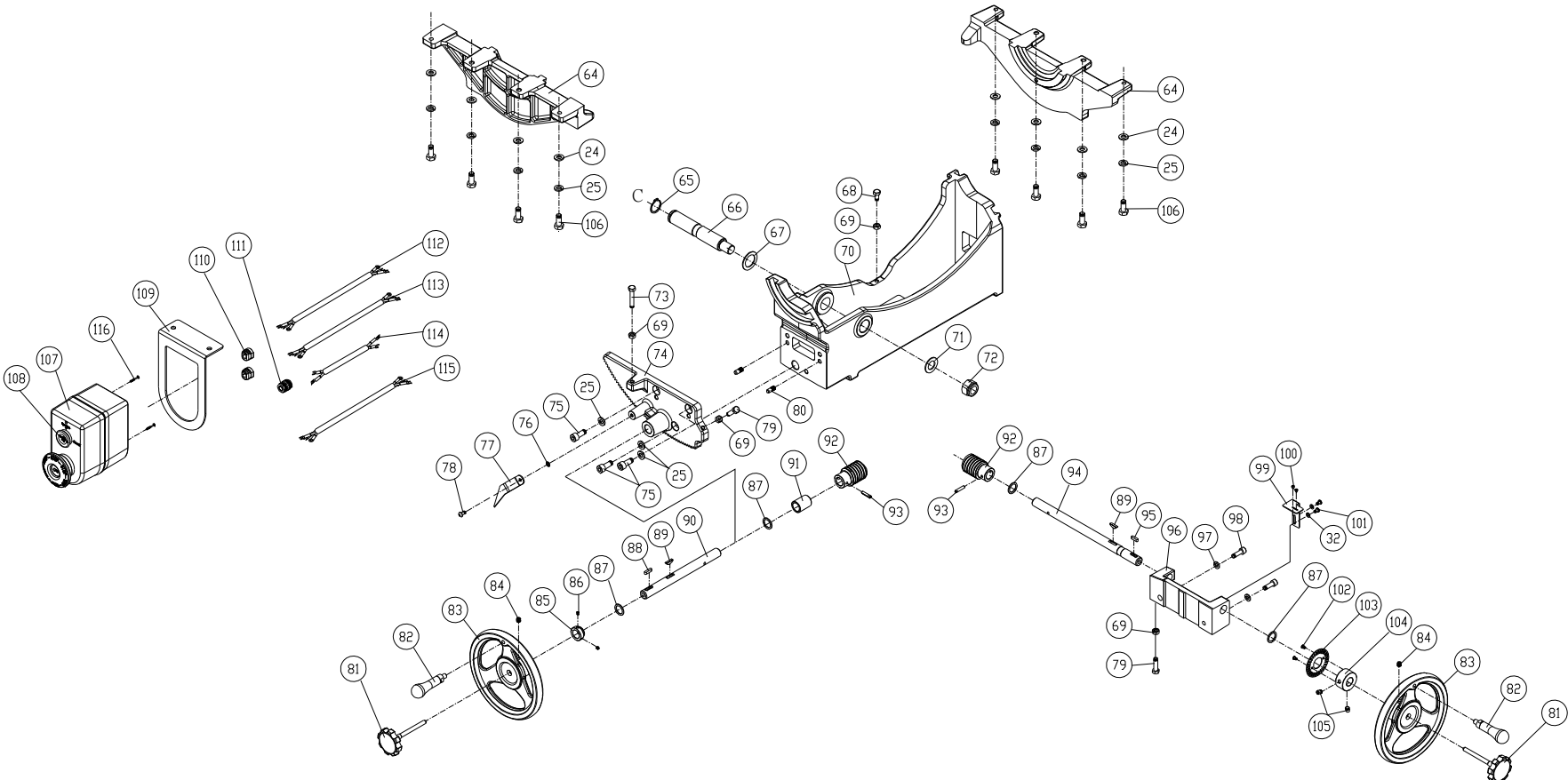
| Index No | Part No | Description | Size | Qty |
|----------|---------------|---|----------------------|-----|
| 59 | F009923 | Socket Head Button Screw | M4-0.7 x 6L | 1 |
| 60 | PM2000B-160 | Oil Hose Fitting | PT1/4" x PH1/4" | 1 |
| 61 | TS-1503061 | Socket Head Cap Screw | M6-1.0 x 25L | 4 |
| 62 | TS-1551041 | Lock Washer | M6 | 2 |
| 63 | TS-1550041 | Flat Washer | 6.4 x 11.5 x 1.6T mm | 2 |
| 64 | PM2000B-164 | Oil Tank | | 1 |
| 65 | PM2000B-165 | Pump Shaft | | 1 |
| 66 | PM2000B-166 | Pump Shaft Sleeve | | 1 |
| 67 | JMS10SCMS-43 | O-Ring | P7 | 2 |
| 68 | SB-6MM | Steel Ball | 6 Dia. | 2 |
| 69 | PM2000B-169 | Compression Spring | | 1 |
| 70 | TS-2276081 | Socket Set Screw | M6-1.0 x 8L | 1 |
| 71 | PM2000B-171 | Oil Hose Fitting | TH1/4" x TH1/4" | 1 |
| 72 | TS-1550041 | Flat Washer | 6.2 x 20 x 3.0T mm | 2 |
| 73 | PM2000B-173 | Linkage | | 1 |
| 74 | TS-1541021 | Nylon Lock Hex Nut | M6-1.0 | 2 |
| 75 | TS-1541031 | Flat Washer | 8.5 x 16 x 1.0T mm | 1 |
| 76 | JMS10SCMS-37 | Wave Washer | WW-8 | 1 |
| 77 | PM2000B-177 | Shoulder Screw | | 1 |
| 78 | PM2000B-178 | Linkage | | 1 |
| 79 | F005344 | Socket Head Cap Screw | M3-0.5 x 20L | 1 |
| 80 | TS-1540021 | Hex Nut | M4-0.7 | 1 |
| 81 | PM2000B-181 | Tension Spring | | 1 |
| 82 | F012097 | Roll Pin | 3 x 16mm | 2 |
| 83 | CK350-722 | O-Ring | P5 | 2 |
| 84 | PM2000B-184 | Knob | | 1 |
| 85 | PM2000B-185 | Oil Release Shaft | | 1 |
| 86 | TS-1540011 | Hex Nut | M3-0.5 | 1 |
| 87 | PM2000B-187 | Oil Hose Assembly | | 2 |
| 88 | TS-1540061 | Hex Nut | M8-1.25 | 1 |
| 89 | 5784696 | O-Ring | P15 | 2 |
| 90 | PM2000B-190 | Pump Handle | | 1 |
| 91 | TS-1541031 | Nylon Lock Hex Nut | M8-1.25 | 8 |
| 92 | TS-1550061 | Flat Washer | 8 x 16 x 1.6T mm | 8 |
| 93 | PM2000B-193 | Caster | | 4 |
| 94 | TS-2248202 | Socket Head Button Screw | M8-1.25 x 20L | 8 |
| 95 | F006047 | C-Retaining Ring, Ext | STW-20 | 2 |
| 96 | F006088 | E-Retaining Ring | ETW-15 | 12 |
| 97 | PM2000B-197 | Linkage | | 2 |
| 98 | PM2000B-198 | Drive Caster Bracket | | 2 |
| 99 | PM2000B-199 | Pivot | | 6 |
| 100 | PM2000B-1100 | Driven Caster Bracket | | 2 |
| 101 | PM2000B-1101 | Connection Rod | | 1 |
| 102 | TS-1550041 | Flat Washer | 6.3 x 13 x 1.0T mm | 4 |
| 103 | PM2000B-1103 | Brace | | 1 |
| 104 | PM2000B-1104 | Connecting Collar | | 1 |
| 105 | TS-2311121 | Hex Nut | M12-1.75 | 1 |
| 106 | F005363L | Socket Hd Cap Screw w/thrdlckr | M5-0.8 x 10L | 1 |
| 107 | PM2000B-1107 | Special Nut | | 1 |
| 108 | TS-2342101 | Nylon Lock Hex Nut | M10-1.5 | 1 |
| 109 | TS-1505061 | Socket Head Cap Screw | M10-1.5 x 40L | 1 |
| | PM2000B-HCA | Hydraulic Cylinder Assembly (includes #110 thru #122) | | 1 |
| 110 | HVBS710SG-314 | Socket Head Cap Screw | M5-0.8 x 15L | 6 |
| 111 | TS-1551031 | Lock Washer | M5 | 6 |
| 112 | TS-1550031 | Flat Washer | 5.2 x 10 x 1.0T mm | 6 |
| 113 | PM2000B-1113 | Non-drive End Bell | | 1 |
| 114 | PM2000B-1114 | O-Ring | AS029 | 2 |
| 115 | PM2000B-1115 | O-Ring | AS026 | 2 |
| 116 | TS-1482061 | Hex Cap Screw | M6-1.0 x 30L | 1 |
| 117 | TS-2311061 | Hex Nut | M6-1.0 | 1 |
| 118 | PM2000B-1118 | Oil Hose Fitting | PT1/4" x PH1/4" | 2 |
| 119 | PM2000B-1119 | Hydraulic Cylinder | | 1 |

| Index No | Part No | Description | Size | Qty |
|----------|--------------|--|--------------------|---------|
| 120 | PM2000B-1120 | O-Ring | P29 | 2 |
| 121 | PM2000B-1121 | Piston | | 1 |
| 122 | PM2000B-1122 | Drive End Bell | | 1 |
| 123 | PM2000B-1123 | Strain Relief | MGB16-10B | 3 |
| 124 | PM2000B-1124 | Transformer Assembly w/ Fuse | | 1 |
| 125 | TS-1550021 | Flat Washer | 4.3 x 10 x 1.0T mm | 2 |
| 126 | TS-2284082 | Phillips Pan HD Machine Screw | M4-0.7 x 8L | 2 |
| 127 | PM2000B-1127 | Transformer Box Cover | | 1 |
| 128 | F009884 | Socket Head Button Screw | M5-0.8 x 8L | 2 |
| 129 | PM2000B-1129 | Fuse | 2A x 250V | 2 |
| | LM000304 | Warning Label (not shown) | | 1 |
| | LM000305 | ID Label, PM2000B, 3HP 1PH (not shown) | | 1 |
| | LM000312 | ID Label, PM2000B, 5HP 1PH (not shown) | | 1 |
| | LM000313 | ID Label, PM2000B, 5HP 3PH (not shown) | | 1 |
| | CL-HV | Caution Label - High Voltage (not shown) | | 2 |
| | PM2000B-1133 | Black Stripe (not shown) | 1"W | per ft. |
| | LM000307 | Label - Caster Lift (not shown) | | 1 |
| | LM000308 | Label - Caster Lower (not shown) | | 1 |

14.2.1 PM2000B Motor and Trunnion Assembly I – Exploded View



14.2.2 PM2000B Motor and Trunnion Assembly II – Exploded View



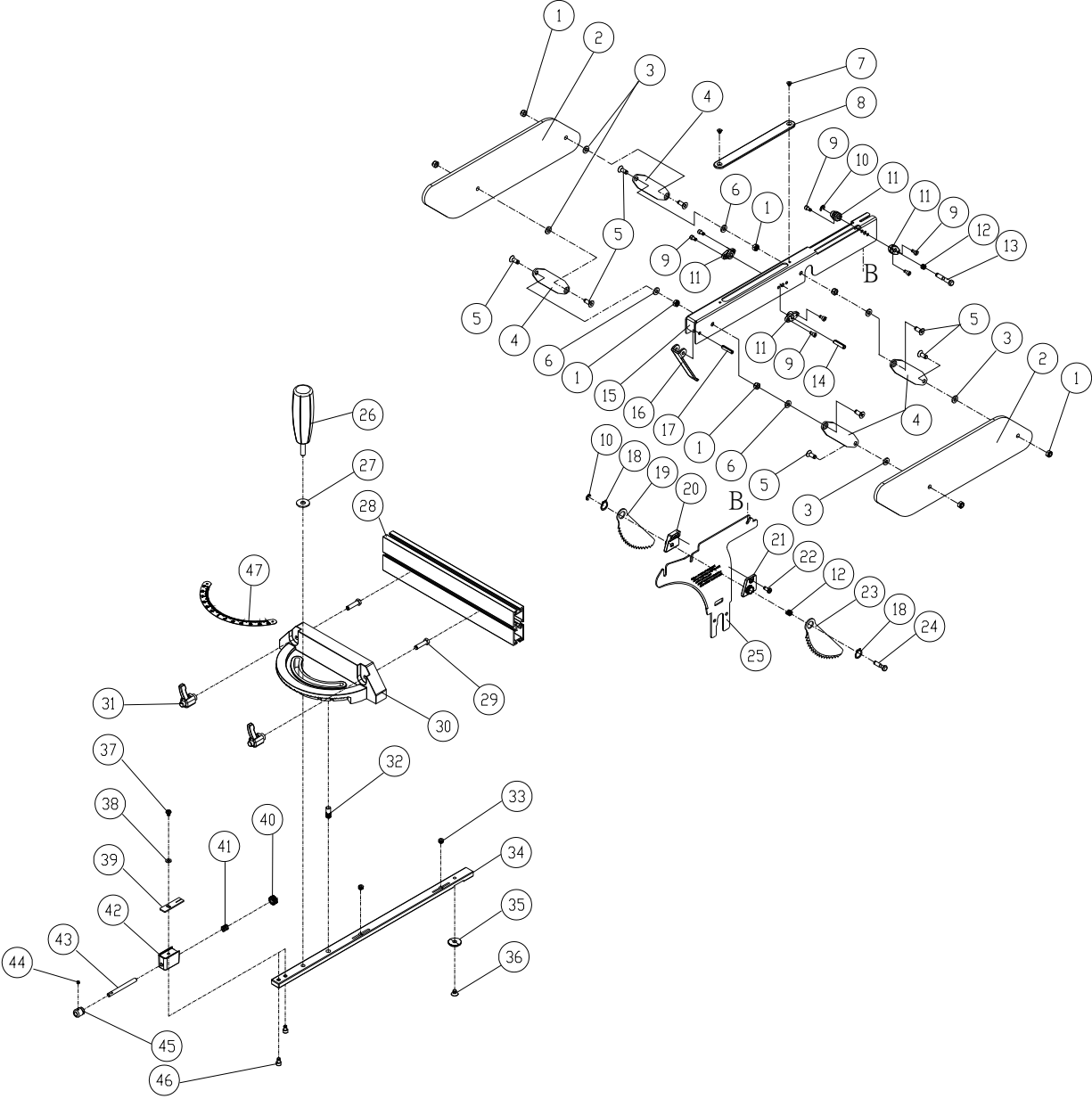
14.2.3 PM2000B Motor and Trunnion Assembly – Parts List

| Index No | Part No | Description | Size | Qty |
|----------|--------------|---------------------------------|--------------------|-----|
| 1 | TS-1541031 | Nylon Lock Hex Nut | M8-1.25 | 1 |
| 2 | F006042 | C-Retaining Ring, Ext | STW-14 | 1 |
| 3 | PM2000B-203 | Compression Spring | | 1 |
| 4 | PM2000B-204 | Riving Knife Fixed Base | | 1 |
| 5 | PM2000B-205 | Clamping Block | | 1 |
| 6 | TS-1504031 | Socket Head Cap Screw | M8-1.25 x 16L | 2 |
| 7 | PM2000B-207 | Low Profile Riving Knife | 0.1"(2.5mm) thk | 1 |
| 8 | PM2000B-208 | Riving Knife Clamp Plate | | 1 |
| 9 | TS-2276081 | Socket Set Screw | M6-1.0 x 8L | 4 |
| 10 | TS-2245162 | Socket Head Button Screw | M5-0.8 x 16L | 2 |
| 11 | PM2000B-211 | Solid Pin | | 1 |
| 12 | PM2000B-212 | Shaft | | 1 |
| 13 | PM2000B-213 | Lever | | 1 |
| 14 | VB-220J10 | Poly-V Belt | 220J-10 | 1 |
| 15 | TS-2342141 | Nylon Lock Hex Nut | M14-2.0 | 2 |
| 16 | TS-155009 | Flat Washer | 14.2 x 26 x 2T mm | 2 |
| 17 | F010401L | Soc Set Scrw CPP w/thrdlckr | M6-1.0 x 8L | 2 |
| 18 | PM2000B-218 | Arbor Pulley | | 1 |
| 19 | BB-6204VV | Ball Bearing | 6204VV | 2 |
| 20 | F006047 | C-Retaining Ring, Ext | STW-20 | 1 |
| 21 | PM2000B-221 | Bushing | | 1 |
| 22 | F010414L | Socket Set Screw CPP w/thrdlckr | M10-1.5 x 10L | 1 |
| 23 | PM2000B-223 | Bearing Arm | | 1 |
| 24 | TS-1550071 | Flat Washer | 10 x 20 x 2.0T mm | 14 |
| 25 | TS-2361101 | Lock Washer | M10 | 17 |
| 26 | JTS315PST-08 | Hex Cap Screw | M10-1.5 x 55L | 1 |
| 27 | TS-1491061 | Hex Cap Screw | M10-1.5 x 40L | 1 |
| 28 | PM2000B-228 | Fixed Plate | | 1 |
| 29 | TS-2286201 | Phillips Flat HD Machine Screw | M6-1.0 x 20L | 2 |
| 30 | TS-1540031 | Hex Nut | M5-0.8 | 1 |
| 31 | PM2000B-231 | Tension Spring | | 1 |
| 32 | TS-1550031 | Flat Washer | 5.3 x 10 x 2.0T mm | 3 |
| 33 | F001208L | Pan HD Mach Scrw w/thrdlckr | M5-0.8 x 8L | 2 |
| 34 | PM2000B-234 | Riving Knife Extension Plate | | 1 |
| 35 | PM2000B-235 | Bushing | | 4 |
| 36 | TS-1550041 | Flat Washer | 6.3 x 13 x 1.0T mm | 4 |
| 37 | F005267L | Soc Hd Cap Screw w/thrdlckr | M6-1.0 x 12L | 4 |
| 38 | PM2000B-238 | Spindle Lock | | 1 |
| 39 | PM2000B-239 | Shoulder Screw | | 2 |
| 40 | 6291479 | Flat Key, Dbl Rd Hd | 5 x 5 x 30mm | 1 |
| 41 | PM2000B-241 | Arbor | | 1 |
| 42 | PM2000B-242 | Saw Blade | 10" 40T 5/8A ATB | 1 |
| 43 | PM2000B-243 | Flange | | 1 |
| 44 | PM2000B-244 | Nut | | 1 |
| 45 | PM2000B-245 | Link | | 1 |
| 46 | F009893L | Soc Hd Button Screw w/thrdlckr | M6-1.0 x 10L | 1 |
| 47 | PM2000B-247 | Dust Chute | | 1 |
| 48 | TS-1550061 | Flat Washer | 8.5 x 16 x 1.5T mm | 1 |
| 49 | TS-2248162 | Socket Head Button Screw | M8-1.25 x 16L | 1 |
| 50 | PM2000B-250 | Elevation Gear Block | | 1 |
| 51 | DT45-110 | Flat Key, Dbl Rd Hd | 6 x 6 x 30 mm | 1 |
| 52 | PM2000B-252 | Socket Set Screw | M14-2.0 x 70L | 1 |
| 53 | TS-2311101 | Hex Nut | M10-1.5 | 1 |
| 54 | TS-1491041 | Hex Cap Screw | M10-1.5 x 30L | 1 |
| 55 | F010418L | Soc Set Screw CPP w/thrdlckr | M10-1.5 x 25L | 1 |
| 56 | PM2000B-256 | Motor Rotation Bracket | | 1 |
| 57 | TS-1492051 | Hex Cap Screw | M12-1.75P x 50L | 1 |
| 58 | TS-2361121 | Lock Washer | M12 | 1 |
| 59 | PM2000B-259 | Flat Washer | 13 x 28 x 3.0T mm | 1 |

| Index No | Part No | Description | Size | Qty |
|----------|-----------------|--------------------------------|-----------------------|-----|
| 60 | PM2000B-260 | Motor | 3HP 230V 60Hz 1PH | 1 |
| | PM2000B-260SC | Starting Capacitor | 400MFD 125VAC | 1 |
| | PM2000B-260RC | Running Capacitor | 40µF 350VAC | 1 |
| | PM2000B-260CC | Capacitor Cover | | 2 |
| | PM2000B-260F | Fan | | 1 |
| | PM2000B-260FC | Fan Cover | | 1 |
| | PM2000B-260CS | Centrifugal Switch | | 1 |
| | LM000316 | Motor Label, PM2000B (3HP 1PH) | | 1 |
| | PM2000B-260A | Motor | 5HP 230V 60Hz 1PH | 1 |
| | PM2000B-260ASC | Starting Capacitor | 400MFD 250VAC | 1 |
| | PM2000B-260ARC | Running Capacitor | 30µF 500VAC | 1 |
| | PM2000B-260CC | Capacitor Cover | | 1 |
| | PM2000B-260ARCC | Running Capacitor Cover | | 1 |
| | PM2000B-260AF | Fan | | 1 |
| | PM2000B-260AFC | Fan Cover | | 1 |
| | PM2000B-260CS | Centrifugal Switch | | 1 |
| | LM000317 | Motor Label, PM2000B (5HP 1PH) | | 1 |
| | PM2000B-260B | Motor | 5HP 230/460V 60Hz 3PH | 1 |
| | PM2000B-260F | Fan | | 1 |
| | PM2000B-260FC | Fan Cover | | 1 |
| | LM000318 | Motor Label, PM2000B (5HP 3PH) | | 1 |
| 61 | PM2000B-261 | Motor Pulley | | 1 |
| 62 | PM2000B-262 | Soc Set Screw CPP w/thrdlckr | M8-1.25 x 20L | 2 |
| 63 | TS-1505051 | Socket Head Cap Screw | M10-1.5 x 35L | 4 |
| 64 | PM2000B-264 | Trunnion | | 2 |
| 65 | F006051 | C-Retaining Ring, Ext | STW-28 | 1 |
| 66 | PM2000B-266 | Shaft | | 1 |
| 67 | PM2000B-267 | Nylon Washer | | 1 |
| 68 | TS-1490021 | Hex Cap Screw | M8-1.25 x 16L | 1 |
| 69 | TS-2311081 | Hex Nut | M8-1.25 | 4 |
| 70 | PM2000B-270 | Center Trunnion | | 1 |
| 71 | PM2000B-271 | Flat Washer | 21 x 38 x 3T mm | 1 |
| 72 | PM2000B-272 | Nylon Lock Hex Nut | M20-1.5P | 1 |
| 73 | TS-1490081 | Hex Cap Screw | M8-1.25 x 45L | 1 |
| 74 | PM2000B-274 | Tilt Gear Block | | 1 |
| 75 | TS-1505031 | Socket Head Cap Screw | M10-1.5 x 25L | 3 |
| 76 | JWBS10OS-107 | Lock Washer Ext Tooth | M6 | 1 |
| 77 | PM2000B-277 | Angle Pointer | | 1 |
| 78 | TS-2246122 | Socket Head Button Screw | M6-1.0 x 12L | 1 |
| 79 | TS-1490051 | Hex Cap Screw | M8-1.25 x 30L | 2 |
| 80 | PM2000B-280 | Roll Pin | | 2 |
| 81 | PM2000B-281 | Locking Knob | | 2 |
| 82 | PM2000B-282 | Handle | | 2 |
| 83 | PM2000B-283 | Handwheel | | 2 |
| 84 | F010052L | Soc Set Screw CPP w/thrdlckr | 5/16"-18UNC x 5/16" | 2 |
| 85 | PM2000B-285 | Collar | | 1 |
| 86 | F010449L | Soct Set Screw CPP w/thrdlckr | M5-0.8 x 5L | 2 |
| 87 | PM2000B-287 | Nylon Washer | 19.1 x 25.4 x 1.6T mm | 4 |
| 88 | 5509207 | Flat Key, Dbl Rd Hd | 5 x 5 x 20mm | 1 |
| 89 | PM2000B-289 | Woodruff Key | | 2 |
| 90 | PM2000B-290 | Elevation Handwheel Shaft | | 1 |
| 91 | PM2000B-291 | Bushing | | 1 |
| 92 | PM2000B-292 | Worm Shaft | | 2 |
| 93 | F012076 | Roll Pin | 5 x 30mm | 2 |
| 94 | PM2000B-294 | Tilt Handwheel Shaft | | 1 |
| 95 | 5783961 | Flat Key, Dbl Rd Hd | 5 x 5 x 18mm | 1 |
| 96 | PM2000B-296 | Tilt Worm Shaft Base | | 1 |
| 97 | TS-2361081 | Lock Washer | M8 | 2 |
| 98 | TS-1504061 | Socket Head Cap Screw | M8-1.25 x 30L | 2 |
| 99 | PM2000B-299 | Bracket | | 1 |
| 100 | PM2000B-2100 | Phillips Pan HD Tapping Screw | M3-1.06 x 6L | 2 |
| 101 | F001208 | Phillips Pan HD Machine Screw | M5-0.8 x 8L | 2 |

| Index No | Part No | Description | Size | Qty |
|----------|------------------|-------------------------------------|-------------------------|-----|
| 102 | TS-2171012 | Phillips Pan HD Machine Screw | M4-0.7 x 6L | 2 |
| 103 | PM2000B-2103 | Induction Disc | | 1 |
| 104 | PM2000B-2104 | Collar | | 1 |
| 105 | F010408L | Soc Set Screw CPP w/thrdlckr | M8-1.25 x 10L | 2 |
| 106 | TS-1491031 | Hex Cap Screw | M10-1.5 x 25L | 8 |
| 107 | PM2000B-2107 | Magnetic Switch Assembly | 3HP 230V 60Hz 1PH | 1 |
| | PM2000B-2107OR | Overload Relay | NTH14 | 1 |
| | PM2000B-2107A | Magnetic Switch Assembly | 5HP 230V 60Hz 1PH | 1 |
| | PM2000B-2107AOR | Overload Relay | NTH21 | 1 |
| | PM2000B-2107B | Magnetic Switch Assembly | 5HP 230/460V 60Hz 3PH | 1 |
| | PM2000B-2107BOR | Overload Relay (230V) | NTH15 | 1 |
| | PM2000B-2107BORA | Overload Relay (460V) | NTH8 | 1 |
| 108 | PM2000B-2108 | Safety Key | | 1 |
| 109 | PM2000B-2109 | Switch Plate | | 1 |
| 110 | PM2000B-2110 | Strain Relief (3HP, 1PH) | SR-7R3 | 2 |
| | PM2000B-2110A | Strain Relief (5HP, 1PH & 5HP, 3PH) | SR-8R3 | 2 |
| 111 | PM2000B-2111 | Strain Relief (3HP, 1PH & 5HP, 1PH) | MGB16-10B | 1 |
| | PM2000B-2111A | Strain Relief (5HP, 3PH) | MGB16-10B | 2 |
| 112 | PM2000B-2112 | Motor Cable | SJT 12AWG x 3C x 1900mm | 1 |
| | PM2000B-2112A | Motor Cable | SJT 10AWG x 3C x 1900mm | 1 |
| | PM2000B-2112B | Motor Cable | ST 12AWG x 4C x 1900mm | 1 |
| 113 | PM2000B-2113 | Power Cable | SJT 12AWG x 3C x 2000mm | 1 |
| | PM2000B-2113A | Power Cable | SJT 10AWG x 3C x 2000mm | 1 |
| | PM2000B-2113B | Power Cable | ST 12AWG x 4C x 2000mm | 1 |
| 114 | PM2000B-2114 | DRO Cable | SJT18AWG x 2C x 1400mm | 1 |
| 115 | PM2000B-2115 | Transformer Cable | SJT 18AWG x 3C x 2100mm | 1 |
| 116 | PM2000B-2116 | Phillips Pan HD Tapping Screw | M5-2.12 x 25 | 2 |

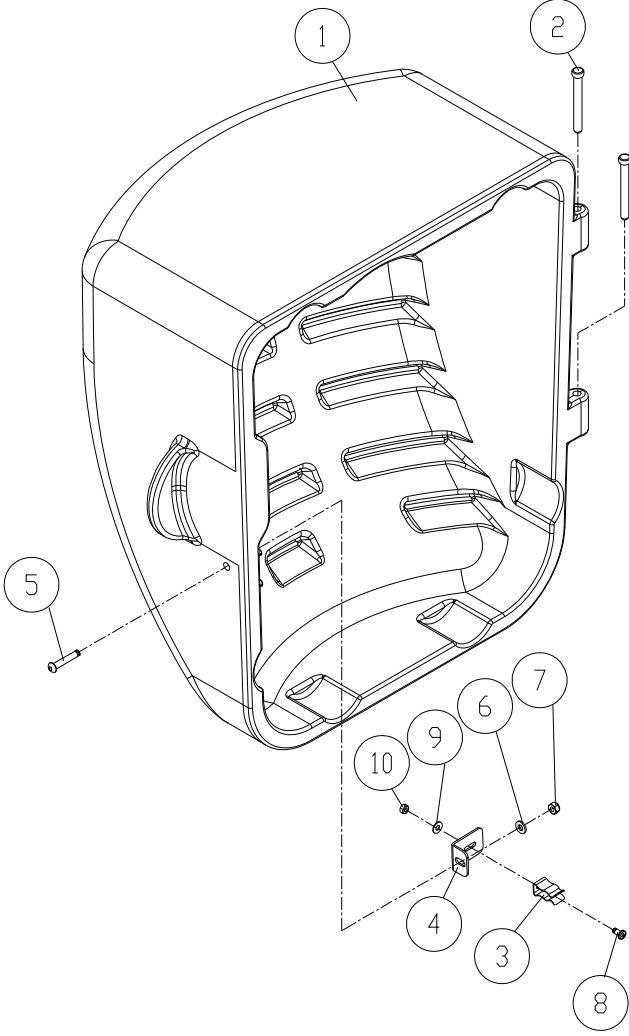
14.3.1 PM2000B Blade Guard and Miter Gauge Assemblies – Exploded View



14.3.2 PM2000B Blade Guard and Miter Gauge Assemblies – Parts List

| Index No | Part No | Description | Size | Qty |
|----------|-------------|--|--------------------|-----|
| | PM2000B-BGA | Blade Guard Assembly (includes #1 thru 17) | | 1 |
| 1 | TS-1541021 | Nylon Lock Hex Nut | M6-1.0 | 8 |
| 2 | PM2000B-302 | Blade Guard Side Shield | | 2 |
| 3 | PM2000B-303 | Flat Washer Thin | 6.7 x 16 x 1.0T mm | 4 |
| 4 | PM2000B-304 | Linkage | | 4 |
| 5 | TS-1534051 | Phillips Flat HD Machine Screw | M6-1.0 x 16L | 8 |
| 6 | TS-1550041 | Flat Washer | 6.7 x 16 x 2.0T mm | 4 |
| 7 | TS-2284081 | Phillips Flat HD Machine Screw | M4-0.7 x 8L | 2 |
| 8 | PM2000B-308 | Top Sight Shield | | 1 |
| 9 | F005350L | Socket Head Cap Screw w/threadlocker | M4-0.7 x 8L | 8 |
| 10 | F006087 | E-Retaining Ring | ETW-5 | 2 |
| 11 | PM2000B-311 | Lock Pin Bushing | | 4 |
| 12 | PM2000B-312 | Compression Spring | | 2 |
| 13 | PM2000B-313 | Riving Knife Lock Pin | | 1 |
| 14 | F012098 | Roll Pin | 6 x 25mm | 1 |
| 15 | PM2000B-315 | Blade Guard Body | | 1 |
| 16 | PM2000B-316 | Front Shield | | 1 |
| 17 | F012099 | Roll Pin | 5 x 26mm | 1 |
| | PM2000B-APA | Anti-Kickback Pawl Assembly (includes #10,12,18 thru 24) | | 1 |
| 18 | F006042 | C-Retaining Ring, Ext | STW-14 | 2 |
| 19 | PM2000B-319 | Left Anti-Kickback Pawl | | 1 |
| 20 | PM2000B-320 | Left Pawl Base | | 1 |
| 21 | PM2000B-321 | Right Pawl Base | | 1 |
| 22 | TS-1533042 | Phillips Pan HD Machine Screw | M5-0.8 x 12L | 1 |
| 23 | PM2000B-323 | Right Anti-Kickback Pawl | | 1 |
| 24 | PM2000B-324 | Anti-Kickback Pawl Lock Pin | | 1 |
| 25 | PM2000B-325 | Riving Knife | 0.1" (2.5mm) thk | 1 |
| | PM2000B-MGA | Miter Gauge Assembly (includes #26 thru 47) | | 1 |
| 26 | PM2000B-326 | Knob | | 1 |
| 27 | TS-1550061 | Flat Washer | 8.5 x 23 x 2.0T mm | 1 |
| 28 | PM2000B-328 | Fence | | 1 |
| 29 | TS-0050051 | Hex Cap Screw | 1/4"-20UNC x 1" | 2 |
| 30 | PM2000B-330 | Miter Gauge Body | | 1 |
| 31 | PM2000B-331 | Universal Handle | | 2 |
| 32 | PM2000B-332 | Pin | | 1 |
| 33 | F010450 | Socket Set Screw CPP | M8-1.25 x 5L | 2 |
| 34 | PM2000B-334 | Miter Bar | | 1 |
| 35 | PM2000B-335 | Guide Washer | | 1 |
| 36 | F001220 | Phillips Flat HD Machine Screw | M6-1.0 x 8L | 1 |
| 37 | TS-0810012 | Round HD Machine Screw | #10-24 x 1/4"L | 1 |
| 38 | TS-1550031 | Flat Washer | 5.2 x 10 x 1.0T mm | 1 |
| 39 | PM2000B-339 | Pointer | | 1 |
| 40 | PM2000B-340 | Pinion | | 1 |
| 41 | PM2000B-341 | Compression Spring | | 1 |
| 42 | PM2000B-342 | Pinion Shaft Hub | | 1 |
| 43 | PM2000B-343 | Shaft | | 1 |
| 44 | TS-1521011 | Socket Set Screw | M4-0.7P x 4L | 1 |
| 45 | PM2000B-345 | Knob | | 1 |
| 46 | TS-1502011 | Socket Head Cap Screw | M5-0.8P x 8L | 2 |
| 47 | PM2000B-347 | Scale | | 1 |
| | LM000309 | Warning Label - Blade Guard (not shown) | | 1 |

14.4.1 PM2000B Motor Cover Assembly – Exploded View



14.4.2 PM2000B Motor Cover Assembly – Parts List

| Index No | Part No | Description | Size | Qty |
|----------|-------------------|--|-------------------------|-----|
| | 6827044B..... | Motor Cover Assembly (includes #1 thru 10) | | 1 |
| 1 | PM2000B-401 | Motor Cover | | 1 |
| 2 | PM2000B-402 | Hinge Pin | | 2 |
| 3 | PM2000B-403 | Spring Clamp | | 1 |
| 4 | PM2000B-404 | Clamp Holder..... | | 1 |
| 5..... | TS-2246302 | Socket Head Button Screw..... | M6-1.0 x 30L..... | 1 |
| 6 | TS-1550041 | Flat Washer | 6.2 x 13 x 1.5T mm..... | 1 |
| 7 | TS-1541021 | Nylon Lock Hex Nut..... | M6-1.0..... | 1 |
| 8..... | TS-1533032 | Phillips Pan HD Machine Screw | M5-0.8 x 10L..... | 1 |
| 9..... | TS-1550031 | Flat Washer | 5.3 x 12 x 1.0T mm..... | 1 |
| 10..... | TS-1540031 | Hex Nut..... | M5-0.8..... | 1 |