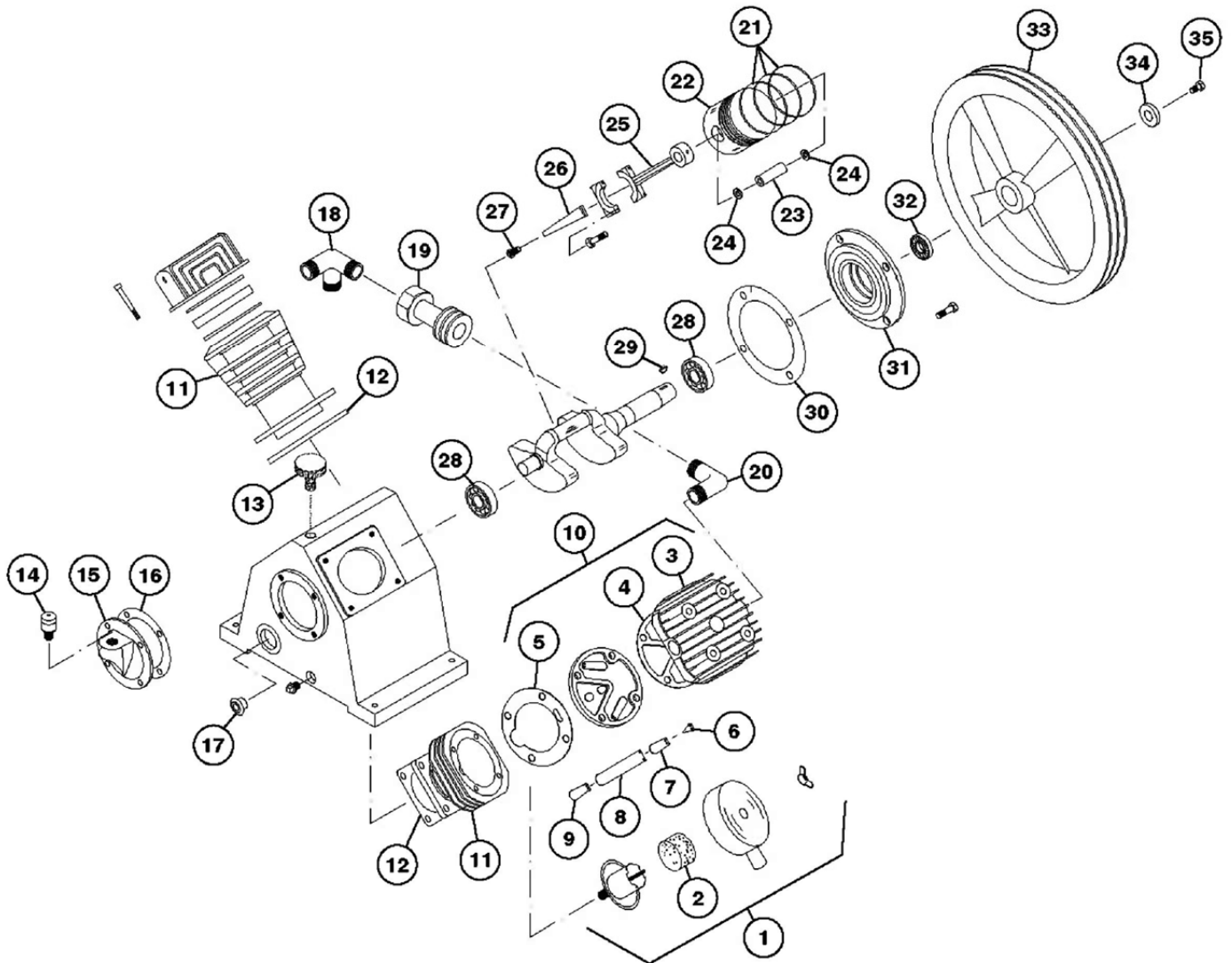
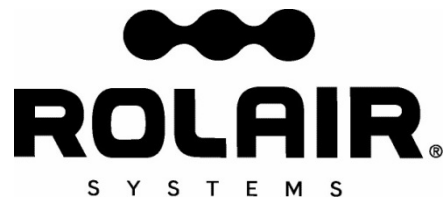


ROLAIR
SCHEMATIC FOR
PMP12PV02A





PMP12PV02A PARTS LIST

Schematic #	Description	Qty.	Part #
1	Intake Filter Assembly	2	LB51111-5600
2	Intake Element – After S/N 11100001 – Before S/N 1110001	1	LBFILTERPAKPAPER
3	Cylinder Head	1	LBFILTERPAK
4	Gasket	2	LB52122-0101
5	Gasket	2	LB52122-2105
6	Triangle Valve Spring	2	LB52122-2104
7	Lift Limiter	2	LB51121-2102
8	Inlet Valve	4	LB51121-3102
9	Outlet Valve	2	LB52122-2103
		4	LB51121-3103
10	Lock Screws (not shown)	12	LB81505-2303010
11	Valve Plate Assembly (items 4-9)	2	LB52122-2100
12	Cylinder	2	LB52122-4101
13	Gasket	2	LB51122-4103
14	Oil Fill Plug	1	LB51111-4719
15	Crankcase Vent	1	LB51111-4761
16	Bearing Carrier - Rear	1	LB51122-4706
17	Gasket	1	LB51122-4707
18	Oil Sight Gauge (includes gasket)	1	LB51111-4770
19	Y-Fitting	1	LB51121-7702
20	Discharge Pipe	1	LB51122-7710
21	Elbow	1	LB51112-7701
22	Ring Set	2	LBRINGSET
23	Piston	2	LB51122-5101
24	Piston Pin	2	LB51122-5112
25	Snap Ring	4	LB51122-5107
26	Connecting Rod with Dipper	2	LB51122-5120
27	Dipper - Angled	2	LB51122-5128
28	Bolt - Dipper	4	LB81505-2304008
29	Bearing	2	LB83501-6205
30	Keystock	1	LB51122-4606
31	Gasket	1	LB51122-4704
32	Bearing Carrier - Front	1	LB51122-4703
33	Oil Seal	1	LB51122-4708
34	Flywheel	1	LB51122-6601
35	Washer	1	LB51111-6621
	Bolt	1	LB81501-0308030

