



BOSCH

Cordless Screwdriver

PS41 | 3 601 JA6 915

Table of Content

Spare parts list.....	2
Illustration - Type.....	3

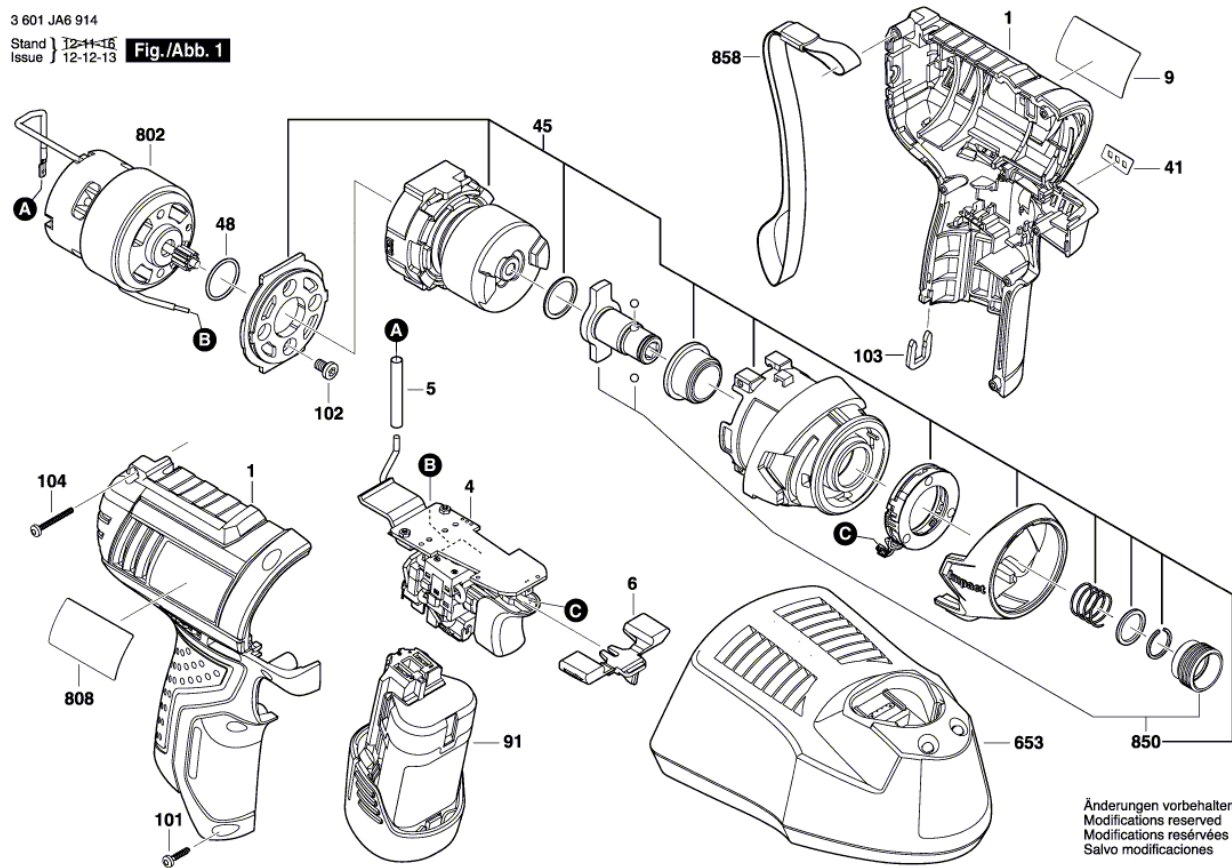
Spare parts list

Item	Part Number	Description		Illustration
1	2 609 100 816	Housing	BLUE	1
4	1 607 233 5DD	Electronics Module		1
5	2 609 170 134	Shrinkable Tube		1
6	2 609 100 817	Adjusting Slide		1
9	2 610 007 734	Manufacturer's nameplate	LITHIUM-ION 12V	1
41	2 609 132 846	Sticker		1
45	2 609 199 241	Gear Box		1
48	2 609 170 121	Seal Ring		1
91	1 607 A35 0C8	Battery Pack	BAT 414 10,8/12V 2,0Ah	1
91	2 607 337 237	Battery Pack	BAT 415 10,8V712V 2,5AH	1
101	2 609 110 883	Screw		1
102	2 609 110 950	Torx Flat-Head Screw		1
103	2 609 110 537	Clip		1
104	2 609 110 991	Pan head screw		1
653	2 607 225 139	Fast Charger MIN.	USA/CAN 120/10,8-12V/30	1
653	2 607 225 519	Fast Charger	USA 120/3,6-10,8V,1h	1
802	2 609 199 281	DC motor	10,8V	1
808	1 601 11A 6UP	Nameplate		1
850	2 609 199 320	Coupling Half		1
858	2 609 170 129	Carrying Loop		1

Illustration - Type - E

3 601 JA6 914

Stand | 12-11-16
Issue | 12-12-13 **Fig./Abb. 1**



Änderungen vorbehalten
Modifications reserved
Modifications réservées
Salvo modificaciones