

Multipurpose tool - 3 601 H58 010 - PS50

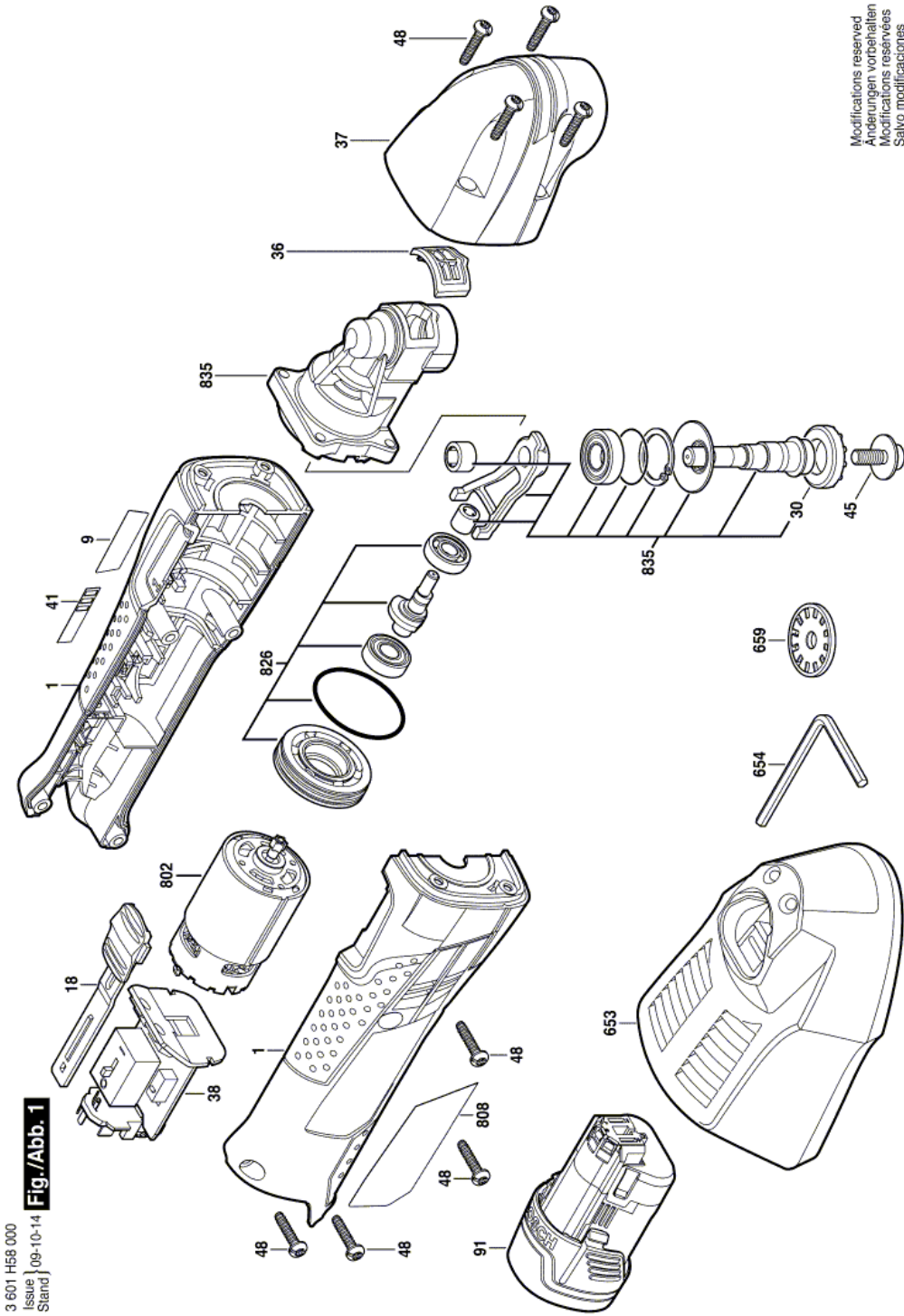
www.powertools-aftersaleservice.com



BOSCH

Item	Part Number	Description	Illustration	Price	Quantity	Price Group
1	2 609 100 649	Housing BLUE	1	-,-	1	30
9	2 609 131 688	Manufacturer's nameplate LITHEON 12V	1	-,-	1	13
18	2 609 100 650	Switch Slide	1	-,-	1	12
30	2 609 110 769	Toolholder	1	-,-	1	21
36	2 609 170 083	Sealing cap	1	-,-	1	10
37	2 609 100 651	Cap	1	-,-	1	21
38	1 607 233 423	Electronics Module	1	-,-	1	44
41	2 609 131 677	Label	1	-,-	1	13
45	2 609 000 295	Hex Socket Head Cap Screw	1	-,-	1	10
48	2 603 490 023	Torx Oval-Head Screw 4x20	1	-,-	8	10
91	2 607 336 015	Battery Pack 10,8V, 1,3Ah, LI	1	-,-	1	41
653	2 607 225 519	Fast Charger USA 120/3,6-10,8V,1h	1	-,-	1	39
653	2 607 225 139	Fast Charger USA/CAN 120/10,8-12V/30 MIN.	1	-,-	1	40
654	2 609 110 831	Key	1	-,-	1	15
659	2 609 110 788	Adapter	1	-,-	1	24
691	1 605 438 1CV	Box	N/A	-,-	1	28
802	2 609 199 180	DC motor	1	-,-	1	36
808	2 609 131 814	Nameplate	1	-,-	1	13
826	2 609 199 185	Bearing Flange	1	-,-	1	36
835	2 609 199 186	Gear Unit	1	-,-	1	39

Illustration - Type E



Information subject to change without further notice.