



BOSCH

Portable Metal Shears

PS70 | 3 601 J26 111

Table of Content

Spare parts list.....	2
Illustration - Type.....	4

Portable Metal Shears | PS70 | 3 601 J26 111

Spare parts list

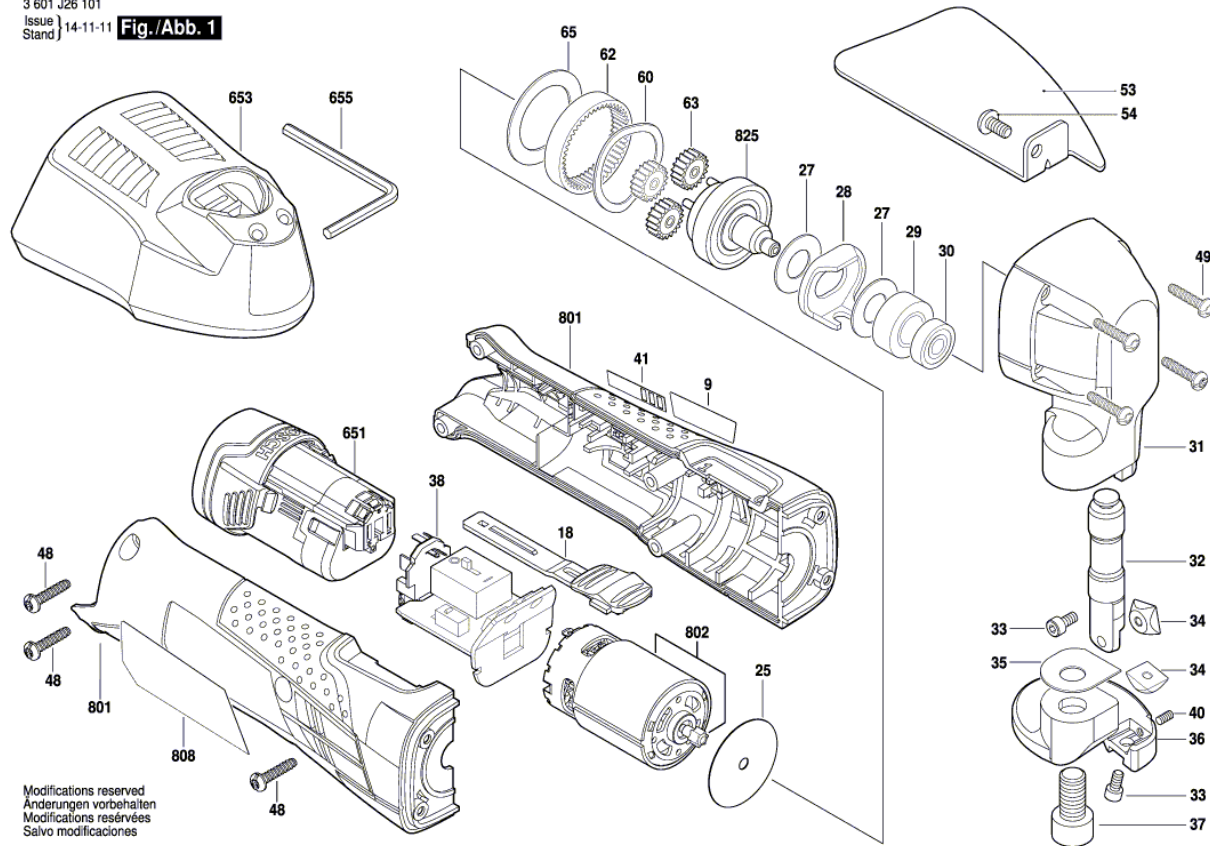
Item	Part Number	Description		Illustration
9	2 609 131 688	Manufacturer's nameplate	LITHEON 12V	1
18	2 609 100 650	Switch Slide		1
25	3 600 109 018	Sealing disk		1
27	3 600 102 049	Shim ring		1
28	3 602 311 052	U-Sheet		1
29	3 600 905 158	Track-Supporting Roller		1
30	3 600 905 161	groove ball bearing		1
31	3 605 106 107	Gear Housing		1
32	3 602 317 042	Tappet		1
33	2 910 401 118	Hex Socket Head Cap Screw	DIN 912-M4x8-12.9	1
34	3 608 635 009	Knife		1
35	3 602 311 047	Plain Washer	0,2 mm	1
35	3 602 311 048	Plain Washer	0,4mm	1
35	3 602 311 049	Plain Washer	0,6mm	1
36	3 606 455 042	Cutting Table		1
37	2 910 401 289	Hex Socket Head Cap Screw	DIN 912-M10x20-12.9	1
38	1 607 233 528	Electronic Module		1
40	3 603 435 056	Set screw		1
41	2 609 131 677	Label		1
48	2 603 490 023	Torx Oval-Head Screw	4x20	1
53	3 607 233 026	Chip Deflector		1
54	3 603 391 007	Thread-forming tap. Screw	DIN 7500-UM5x10-ST	1
60	3 600 109 019	Spring Washer		1
62	3 600 112 006	Ring Gear		1
63	3 606 316 097	Planet Gear		1
65	3 600 100 098	Shim ring		1
651	1 607 A35 0C8	Battery Pack	BAT 414 10,8/12V 2,0Ah	1
653	2 607 225 139	Fast Charger MIN.	USA/CAN 120/10,8-12V/30	1
653	2 607 225 519	Fast Charger	USA 120/3,6-10,8V,1h	1
655	1 907 950 004	Offset Screwdriver	DIN 911, SW3	1
801	2 609 100 773	Housing		1
802	1 607 000 751	DC motor	10,8V	1
808	2 610 035 523	Nameplate		1

Spare parts list

Item	Part Number	Description	Illustration
825	3 607 031 860	Eccentric Shaft	1

Illustration - Type - E

3 601 J26 101
 Issue | 14-11-11
 Stand | **Fig./Abb. 1**



Modifications reserved
 Änderungen vorbehalten
 Modifications réservées
 Salvo modificaciones