



**BOSCH**

# Cordless Percussion Drill

PSB 9,6 VSP-2 | 0 603 926 434

---

## Table of Content

Spare parts list.....	2
Illustration - Type.....	4

**Spare parts list**

<b>Item</b>	<b>Part Number</b>	<b>Description</b>	<b>Illustration</b>
4	2 607 200 320	On-Off Switch	1
5	2 607 233 030	Torque Control	1
9	2 601 118 386	Manufacturer's nameplate SUNNY SIDE	1
20	2 601 118 387	Reference Plate SHADOW SIDE	1
27	1 900 905 120	groove ball bearing 10x26x8	1
28	2 605 719 006	Adapter	1
29	2 605 510 116	Insert Piece BLACK	1
32	2 601 099 032	Adjusting Slide	1
33	2 604 601 004	Retaining ring	1
34	2 602 210 014	Eccentric	1
35	2 602 329 024	Roller Body	1
37	2 606 440 002	Carrier	1
42	1 609 340 007	Cylindrical Gear Z=58/67	1
47	2 606 316 120	Pinion Z=14	1
49	2 605 510 117	Insert Piece BLACK	1
50	2 605 190 037	Setting Ring	1
53	2 608 005 045	Clamping Sleeve	1
54	2 603 410 043	Thread-forming tap. Screw	1
55	2 600 190 056	Catch Disk	1
60	2 604 618 001	Compression Spring	1
68	1 900 905 122	groove ball bearing 15x32x9	1
69	2 916 650 001	Spring retaining ring DIN 471-10x1MM-FSt	1
70	2 600 100 569	Shim 1,0 MM	1
71	2 600 290 023	Backup ring	1
73	2 606 490 060	Catch Disk	1
77	2 600 190 064	Corrugated Washer	1
78	2 600 101 516	Thrust Bearing Disc	1
79	2 600 923 003	Ball Cage	1
94	2 600 301 011	Sintered-Metal Bushing	1
95	2 600 302 002	Sintered-Metal Bushing	1
96	2 600 290 022	Rubber-Inter Calation	1
100	2 601 322 016	Clamp Spring	1
101	2 603 490 022	Screw 4x16	1
102	2 601 329 041	Retaining Bracket	1
104	2 608 018 004	Contact retainer	1

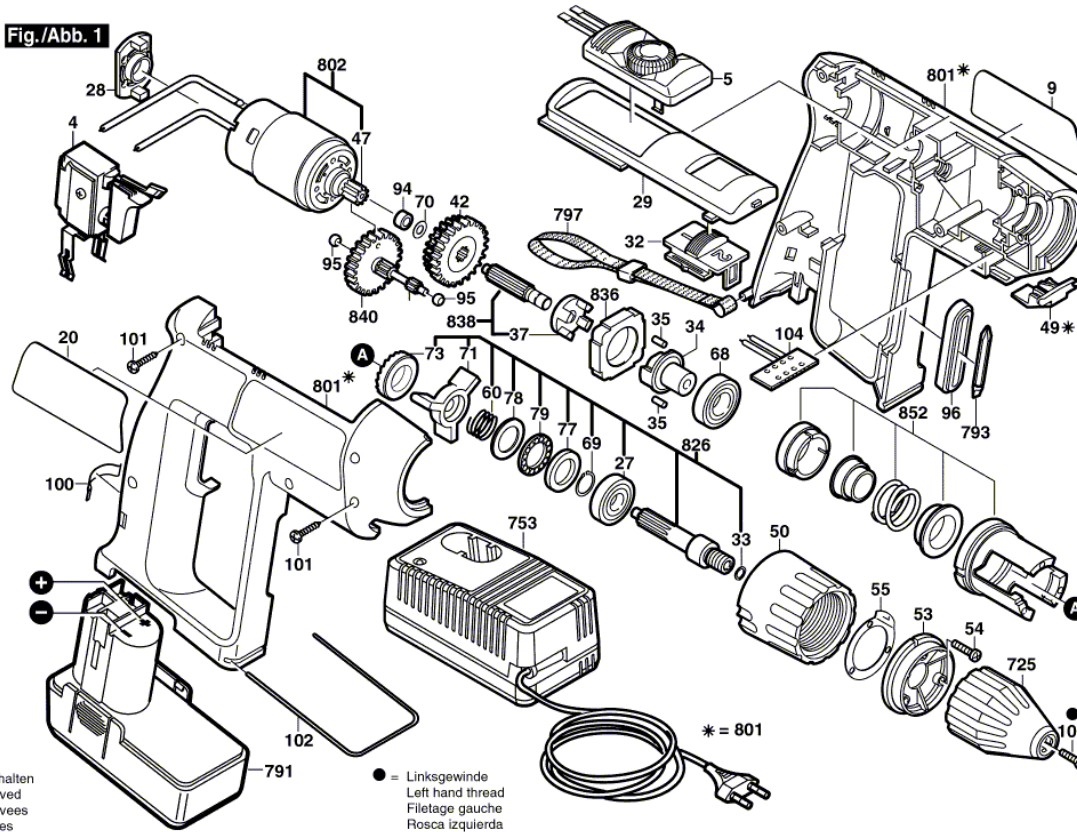
**Spare parts list**

<b>Item</b>	<b>Part Number</b>	<b>Description</b>	<b>Illustration</b>
107	2 603 421 218	Countersunk-Head Screw M6x38/12(Ø10) LEFTHAND THREADS	1
725	2 608 572 053	Keyless Chuck Ø 1,5-10 MM,1/2"	1
753	2 607 224 708	Fast Charger USA 120/7,2-14,4V, 30 MIN.	1
753	2 607 225 033	Fast Charger USA 120/7,2-24V, 30 MIN.	1
793	1 609 200 147	Screwdriver Blade 6 MM	1
797	2 601 398 009	Carrying Loop	1
801	2 605 104 852	Housing Section GREEN	1
802	2 607 022 921	DC motor 9,6-12V	1
826	2 606 309 920	Drilling Spindle 1/2",BIT-1/4",M6 LEFTHAND THREADS	1
836	2 600 202 025	Retaining snap ring	1
838	2 606 309 918	Splined Shaft	1
840	2 606 308 914	Toothed Shaft Z= 10/19/63	1
852	2 600 499 903	Guide Sleeve	1

Illustration - Type - E

0 603 926 403  
 Stand } 99-12-23  
 Issue }

Fig./Abb. 1



Änderungen vorbehalten  
 Modifications reserved  
 Modificacions reserves  
 Salvo modificaciones