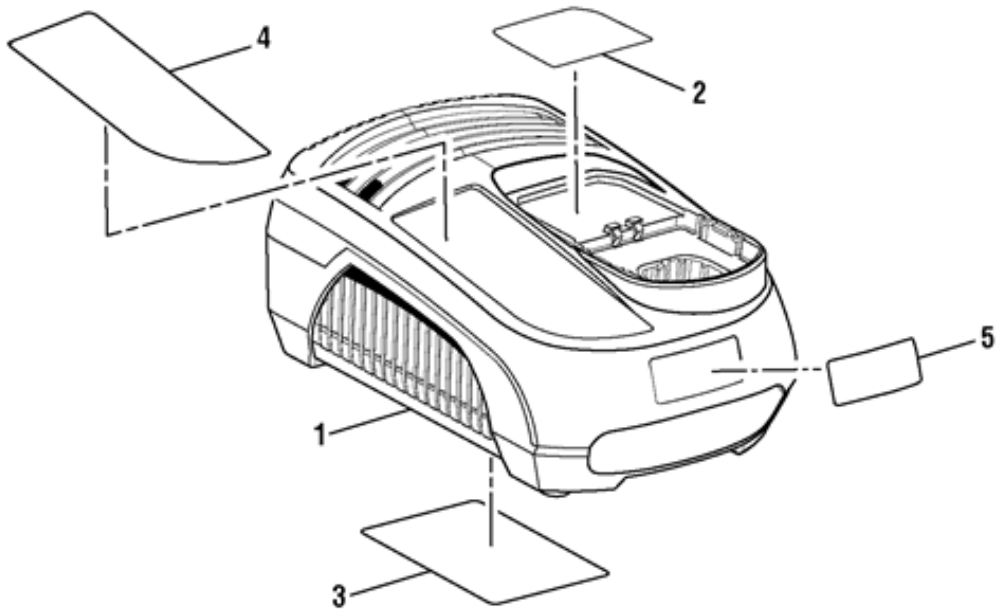


POWERSTROKE CHARGER – MODEL NO. PSL0CH182

The model number will be found on the charger. Always mention the model number in all correspondence regarding your **CHARGER** or when ordering replacement parts.



Ref #	Part #	Description	Qty	Context Note	Foot Note
1	140151007	Charger	1		
2	940221197	Warning Label	1		
3	941121061	Data Label	1		
4	941001046	Led Indicator Label	1		
5	941002036	Logo Label	1		
	990000194	Operator's Manual (PSL0CH182)		Not Shown	