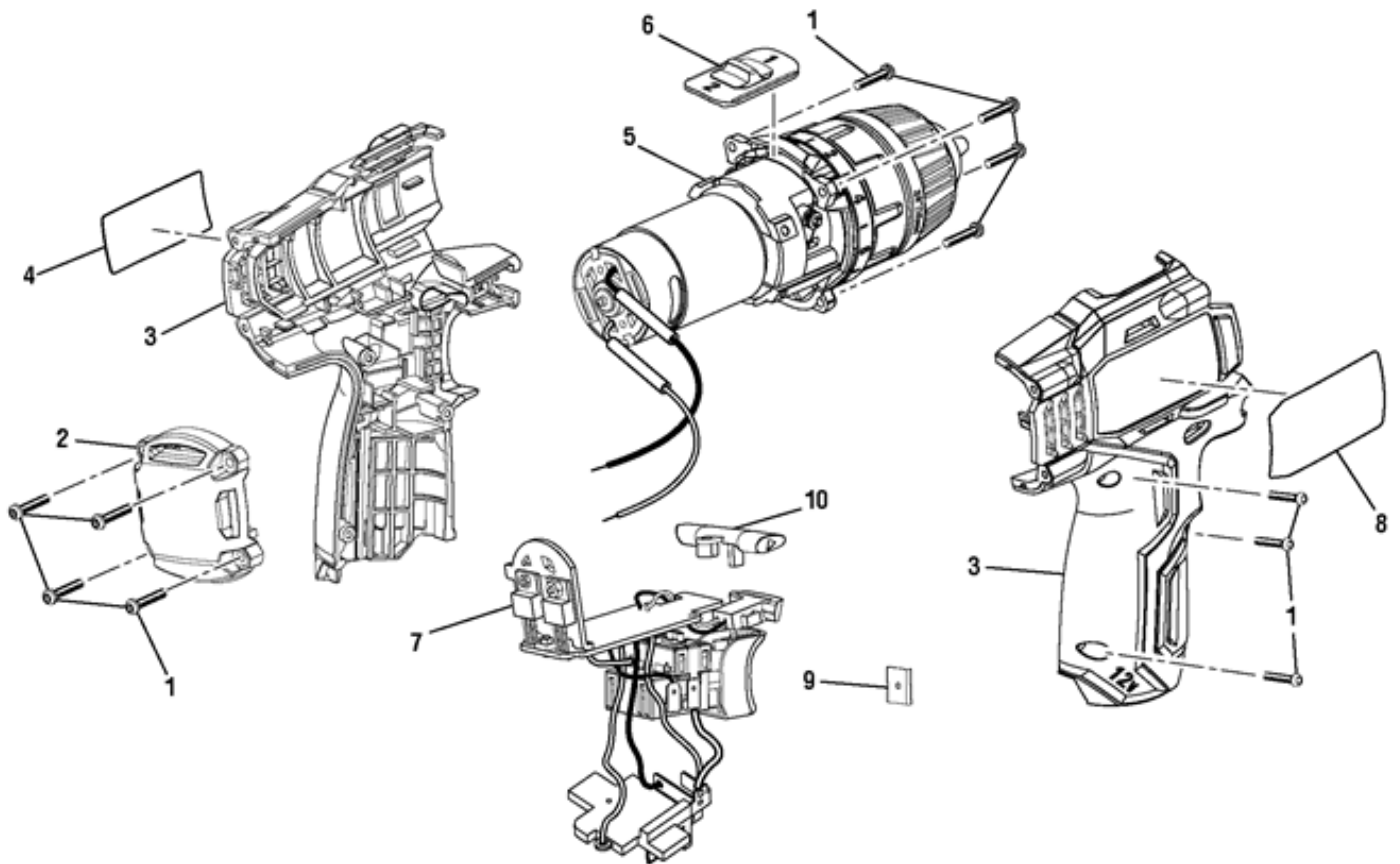


**POWERSTROKE DRILL - MODEL NO. PSL0DD121**

The model number will be found on a label attached to the motor housing. Always mention the model number in all correspondence regarding your **DRILL** or when ordering replacement parts.



| <b>Ref #</b> | <b>Part #</b> | <b>Description</b>                   | <b>Qty</b> | <b>Context Note</b> | <b>Foot Note</b> |
|--------------|---------------|--------------------------------------|------------|---------------------|------------------|
| 1            | 660570005     | Screw (M3 x 14 mm)                   | 11         |                     |                  |
| 2            | 519158006     | End Cap                              | 1          |                     |                  |
| 3            | 303208004     | Housing Assembly                     | 1          |                     |                  |
| 4            | 941002016     | Logo Label                           | 1          |                     |                  |
| 5            | 210047002     | Motor, Gear Train and Chuck Assembly | 1          |                     |                  |
| 6            | 529160003     | Two-Speed Gear Train Knob            | 1          |                     |                  |
| 7            | 270013043     | Switch Assembly                      | 1          |                     |                  |
| 8            | 941004010     | Data Label                           | 1          |                     |                  |
| 9            | 631542001     | Clip                                 | 1          |                     |                  |
| 10           | 519161003     | Direction of Rotation Selector       | 1          |                     |                  |
|              | 670820066     | Double Bit                           | 1          | Not Shown           |                  |
|              | 130446029     | Battery Pack                         | 2          | Not Shown           |                  |
|              | 140446039     | Charger                              | 1          | Not Shown           |                  |
|              | 902048014     | Tool Bag                             | 1          | Not Shown           |                  |
|              | 990000001     | Operator's Manual                    | 1          | Not Shown           |                  |