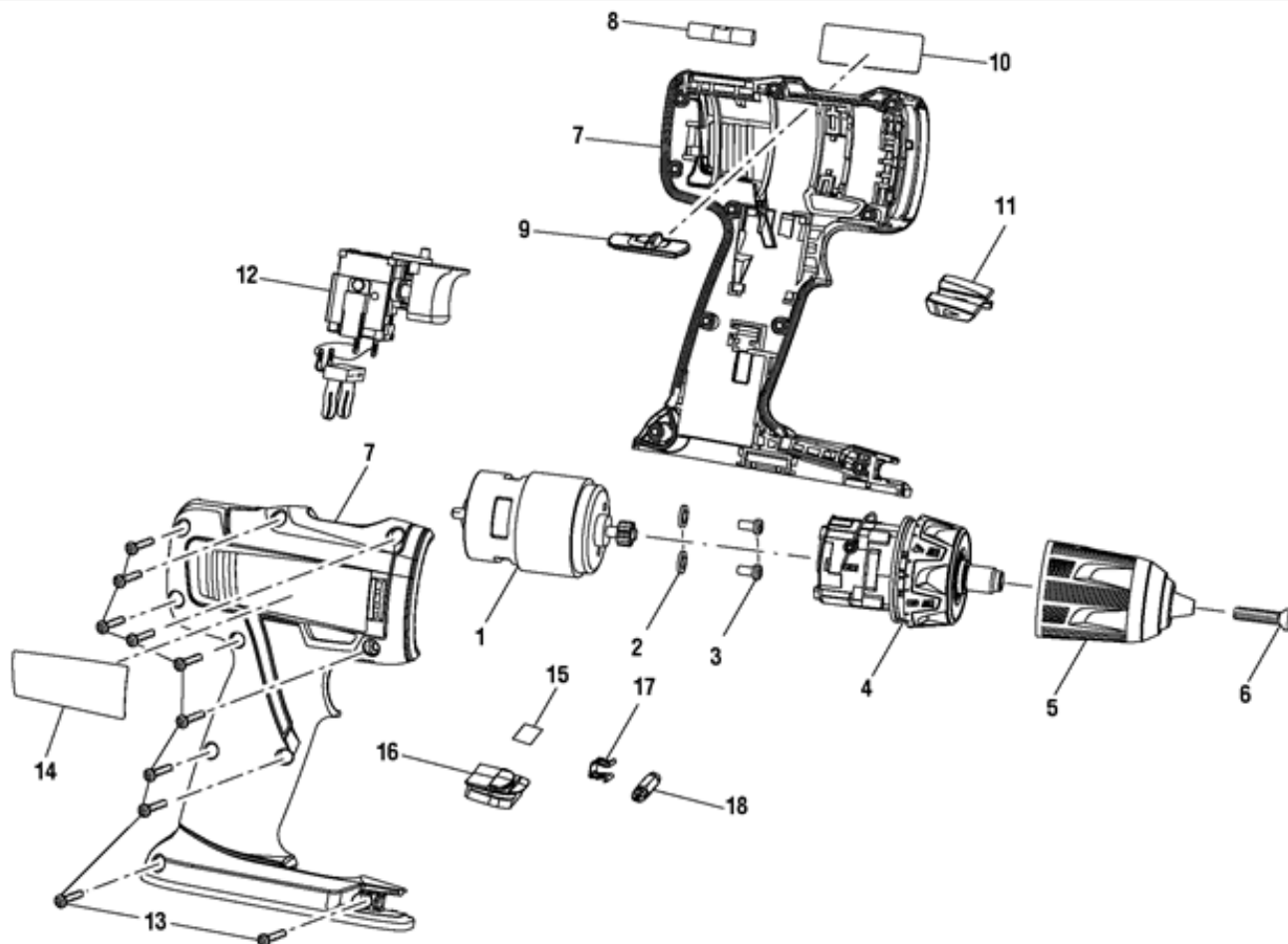


POWERSTROKE DRILL-DRIVER – MODEL NO. PSL0DD182

The model number will be found on a label attached to the motor housing. Always mention the model number in all correspondence regarding your **DRILL-DRIVER** or when ordering replacement parts.



Ref #	Part #	Description	Qty	Context Note	Foot Note
1	230079018	Motor & Pinion Assembly	1		
2	670030004	Washer (ID4.3 x OD7.2 x 1t)	2		
3	660212005	Screw (M4 x 8 mm)	2		
4	210013244	Clutch Cap & Gear Train Assembly	1		
5	670794002	Chuck (1/2 in.)	1		
6	660134002	Screw (M6 x 27 mm)	1		
7	200690005	Housing Assembly	1		
8	3000907	Top Level Assembly	1		
9	517098006	2-Speed Change Knob	1		
10	941002004	Logo Label	1		
11	517099005	Forward/Reverse Selector	1		
12	270013073	Switch Assembly	1		
13	660206014	Screw (M3.5 x 14 mm)	10		
14	941121153	Data Label	1		
15	941001066	Plug label	1		
16	525871002	Decorative plug	1		
17	630206007	Bit Clip	1		
18	6782045	Double Ended Bit (PH2 & S6 x 50 mm)	1		
	130429037	Battery Pack (PSL0BA182)		Not Shown	
	140185013	Battery Charger (PSL0DD183)		Not Shown	
	902048015	Tool Bag		Not Shown	
	990000428	Operator's Manual		Not Shown	