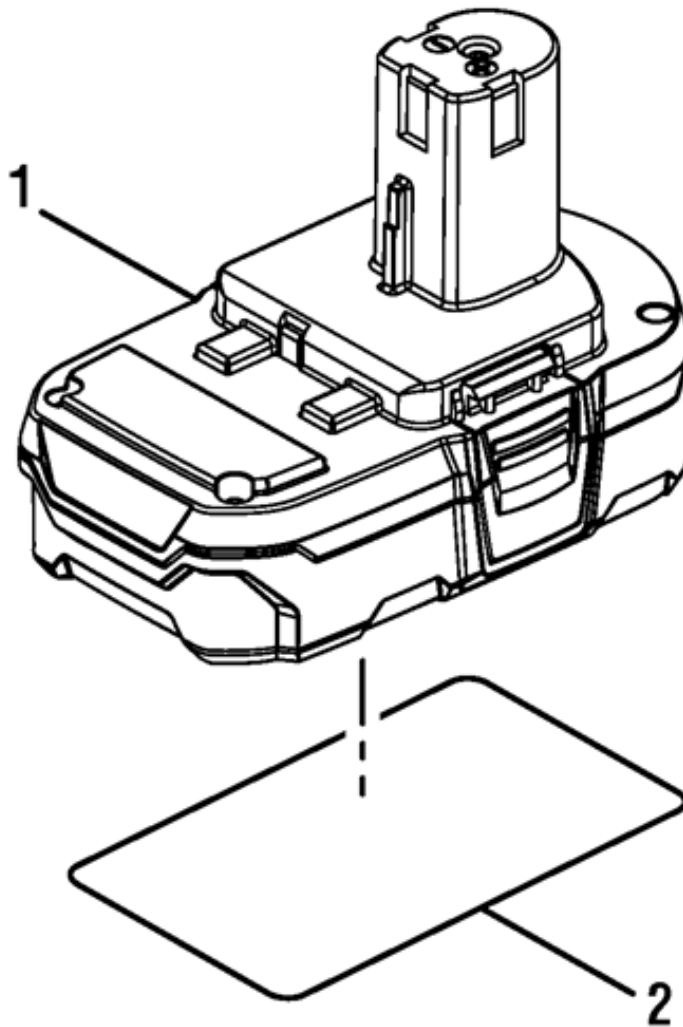


POWERSTROKE BATTERY – MODEL NO. PSL18BA1

The model number will be found on the battery. Always mention the model number in all correspondence regarding your **BATTERY** or when ordering replacement parts.



| Ref # | Part # | Description | Qty | Context Note | Foot Note |
|--------------|---------------|--------------------|------------|---------------------|------------------|
| 1 | 130291002 | Battery Pack | 1 | | |
| 2 | 941121180 | Data Label | 1 | | |
| | 990000591 | Operator's Manual | | Not Shown | |