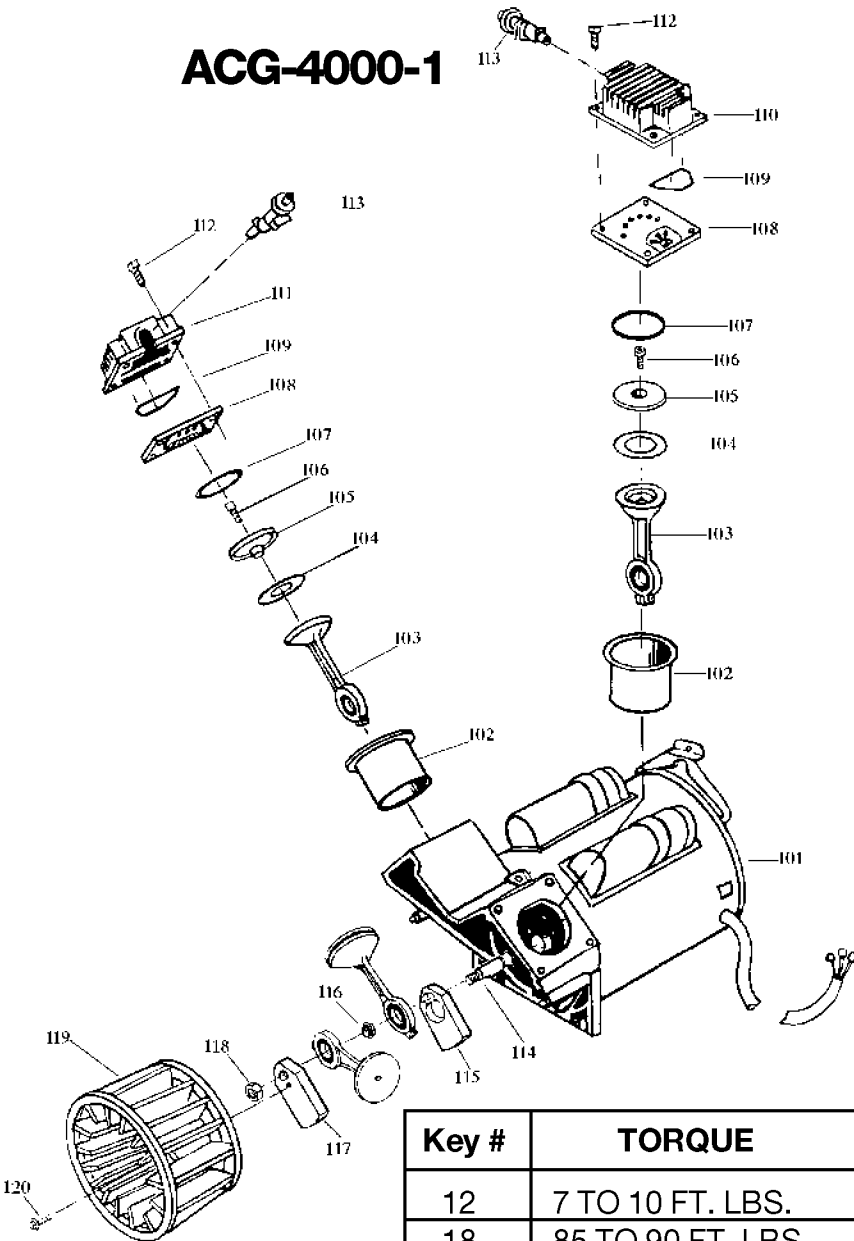
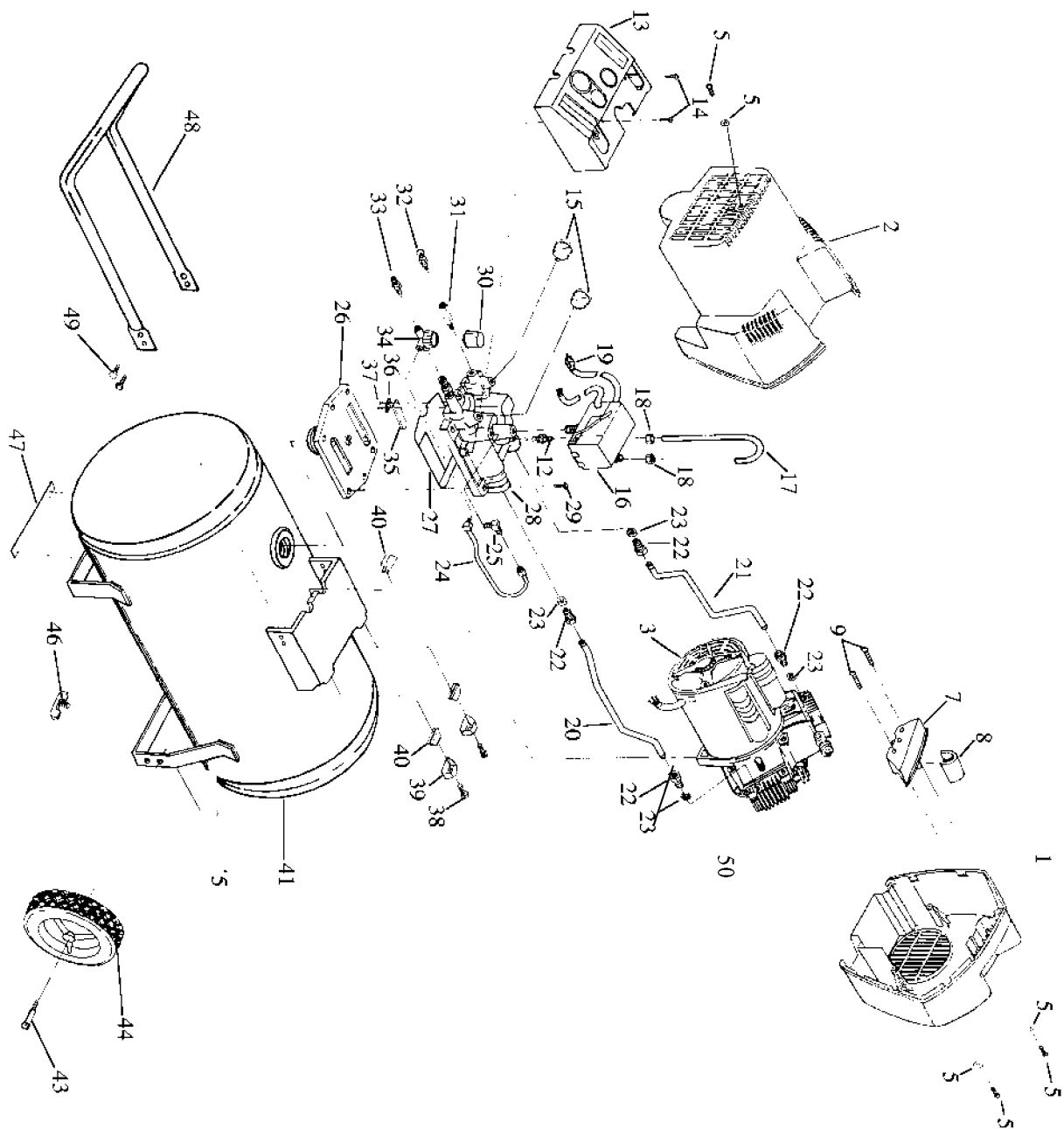


# ACG-4000-1



| Key #                        | TORQUE            |
|------------------------------|-------------------|
| 12                           | 7 TO 10 FT. LBS.  |
| 18                           | 85 TO 90 FT. LBS. |
| 20                           | 75 TO 90 IN. LBS. |
| * TORQUE WRENCH MUST BE USED |                   |



## Parts List for PTFTV530 Type 0

| Item Number | Part Number | Description          | Qty Required |
|-------------|-------------|----------------------|--------------|
| 1           | DAC-244     | SHROUD FRONT TWIN CY | 1            |
| 2           | DAC-243     | SHROUD REAR TWIN CYL | 1            |
| 3           | 000000-00   | No Longer Available  | 1            |
| 5           | ACG-408     | ASSY FASTENER        | 1            |
| 7           | ACG-13      | COVER INTAKE MUFFLER | 1            |
| 8           | ACG-12      | ELEMENT FILTER INTAK | 1            |
| 9           | SSF-554     | SCREW #10-14X2.50 PA | 1            |
| 12          | SS-8553     | CONNECTOR BODY       | 1            |
| 14          | 000000-00   | No Longer Available  | 2            |
| 15          | Z-D23004    | GAUGE 1.5OD 200PSI . | 2            |
| 16          | 000000-00   | No Longer Available  | 1            |
| 17          | 000000-00   | No Longer Available  | 1            |
| 18          | SSP-7811    | ASSY NUT SLEEVE 1/4  | 2            |
| 19          | SUDL-415-1  | ASSY CORD POWER ST   | 1            |
| 20          | 000000-00   | No Longer Available  | 1            |
| 21          | ACG-38      | TUBE OUTLET RIGHT HO | 1            |
| 22          | SSF-550     | NUT .750-16 UNF COMP | 1            |
| 23          | CAC-1369    | SLEEVE SILICONE FOR  | 1            |
| 24          | 000000-00   | No Longer Available  | 1            |
| 25          | SSP-6422    | ELBOW                | 1            |
| 26          | 000000-00   | No Longer Available  | 1            |
| 27          | 000000-00   | No Longer Available  | 1            |
| 28          | 000000-00   | No Longer Available  | 1            |
| 29          | SSF-990     | SCREW .250-20X1.25 U | 6            |
| 30          | 000000-00   | No Longer Available  | 1            |
| 31          | 000000-00   | No Longer Available  | 1            |
| 32          | 97503734    | VALVE SAFETY 150 .12 | 1            |

## Parts List for PTFTV530 Type 0

| Item Number | Part Number | Description          | Qty Required |
|-------------|-------------|----------------------|--------------|
| 33          | D26889      | ADAPTER .25 NPT X .2 | 1            |
| 34          | CAC-4296-1  | REGULATOR 3PORT P2 L | 1            |
| 35          | A00724      | FLAPPER VALVE        | 1            |
| 36          | 000000-00   | No Longer Available  | 1            |
| 37          | SSF-9821    | SCREW #5-40X.250 HHW | 2            |
| 38          | 91895680    | SCREW .250-20X.750 H | 1            |
| 39          | ACG-18      | CUP SADDLE MOUNT     | 1            |
| 40          | ACG-19      | ISOLATOR 3 POINT MOU | 3            |
| 43          | CAC-60      | BOLT .375-16X2.25 UN | 2            |
| 44          | 000000-00   | No Longer Available  | 2            |
| 45          | SSF-8080-ZN | NUT .375-16 UNC-2B H | 2            |
| 46          | N286039     | DRAIN VALVE          | 1            |
| 47          | SUDL-6-1    | STRIP RUBBER FOOT    | 1            |
| 48          | 000000-00   | No Longer Available  | 1            |
| 49          | SSF-981     | SCREW .250-14X.500 H | 4            |
| 50          | 000000-00   | No Longer Available  | 1            |
| 101         | 000000-00   | No Longer Available  | 1            |
| 102         | A02743      | KIT CONNECTING ROD   | 1            |
| 103         | A02743      | KIT CONNECTING ROD   | 1            |
| 104         | A02743      | KIT CONNECTING ROD   | 1            |
| 105         | ACG-29      | CAP CONNECTING ROD C | 2            |
| 106         | SSF-3158-1  | SCREW #10-24X.750 TH | 2            |
| 107         | SSG-8156    | ORING 2.759/2.719ID  | 2            |
| 108         | 000000-00   | No Longer Available  | 2            |
| 109         | ACG-45      | ORING P/L HEAD       | 2            |
| 110         | 000000-00   | No Longer Available  | 1            |
| 111         | 000000-00   | No Longer Available  | 1            |

## Parts List for PTFTV530 Type 0

| Item Number | Part Number | Description          | Qty Required |
|-------------|-------------|----------------------|--------------|
| 112         | SSF-990     | SCREW .250-20X1.25 U | 8            |
| 113         | ACG-11      | MUFFLER INTAKE 2 CYL | 2            |
| 114         | ACG-8       | PIN ECCENTRIC        | 1            |
| 115         | 000000-00   | No Longer Available  | 1            |
| 116         | ACG-9       | WASHER ALIGN         | 1            |
| 117         | 000000-00   | No Longer Available  | 1            |
| 118         | ACG-23      | NUT .500-20 UNF-2A H | 1            |
| 119         | ACG-22      | FAN RADIAL 6.0 OD    | 1            |
| 120         | 39124607    | SCREW .250-20X.625 H | 1            |
| 856         | 000000-00   | No Longer Available  | 1            |
| 856         | 000000-00   | No Longer Available  | 1            |
| 856         | 000000-00   | No Longer Available  | 1            |
| 856         | K-0650      | KIT COMP RING REPLAC | 1            |
| 856         | A02743      | KIT CONNECTING ROD   | 1            |