



BOSCH

Angle Grinder

PWS 6-115 | 0 603 278 445

Table of Content

Spare parts list.....	2
Illustration - Type.....	4

Spare parts list

Item	Part Number	Description	Illustration
1	1 605 108 127	Motor Housing GREEN	1
2	1 604 220 323	Field 100-120V	1
3/50	1 606 610 121	Fan	1
4	1 607 200 086	On-Off Switch	1
4/10	2 910 110 048	Pan head screw DIN 85-AM3x6-CUZN	1
5	2 604 460 189	Power supply cord USA/CDN 2,68m 2 x 082mm SJ 18/2	1
6	2 600 703 011	Grommet Ø8,3-Ø9,4x95 MM	1
6	2 600 703 012	Grommet Ø6,5-Ø6,9x95 MM	1
6	2 600 703 013	Grommet Ø7,6-Ø8,2x95 MM	1
7	1 601 302 017	Fastening Clamp	1
9	1 601 118 251	Manufacturer's nameplate	1
13	2 600 905 032	Ball Bearing 7x19x6	1
14	1 600 905 032	groove ball bearing 8x22x7	1
17	1 601 118 154	Manufacturer's nameplate	1
18	1 604 611 026	Compression Spring	1
21	1 605 806 429	Gear Housing BLACK	1
22	1 602 319 002	Adjusting Slide	1
23	1 602 026 057	Switch Handle BLACK	1
25	1 600 508 005	Housing Cover GREEN	1
26	1 600 502 020	Rubber Bushing	1
27	1 600 206 025	Rubber Ring	1
28	1 605 805 061	Bearing Flange	1
29	1 601 328 005	Air-Deflector Ring	1
32	1 607 000 D6A	Grinding Spindle	1
35	1 600 136 010	Shim 0,2 MM THICK	1
35	1 600 136 011	Shim 0,3 MM THICK	1
35	1 600 136 012	Shim 0,1 MM THICK	1
36	1 600 150 011	Spring Washer	1
38	1 606 333 606	Crown Gear Z=36	1
39	1 604 652 013	Spiral Spring	1
40	2 916 660 009	Spring retaining ring DIN 472-25x1,2MM	1
41	1 600 910 018	Needle bearing Ø8xØ12x8 MM	1
43	1 606 333 605	Bevel Gear Z=11	1
45	1 603 300 016	Hex Nut M7, SW10	1

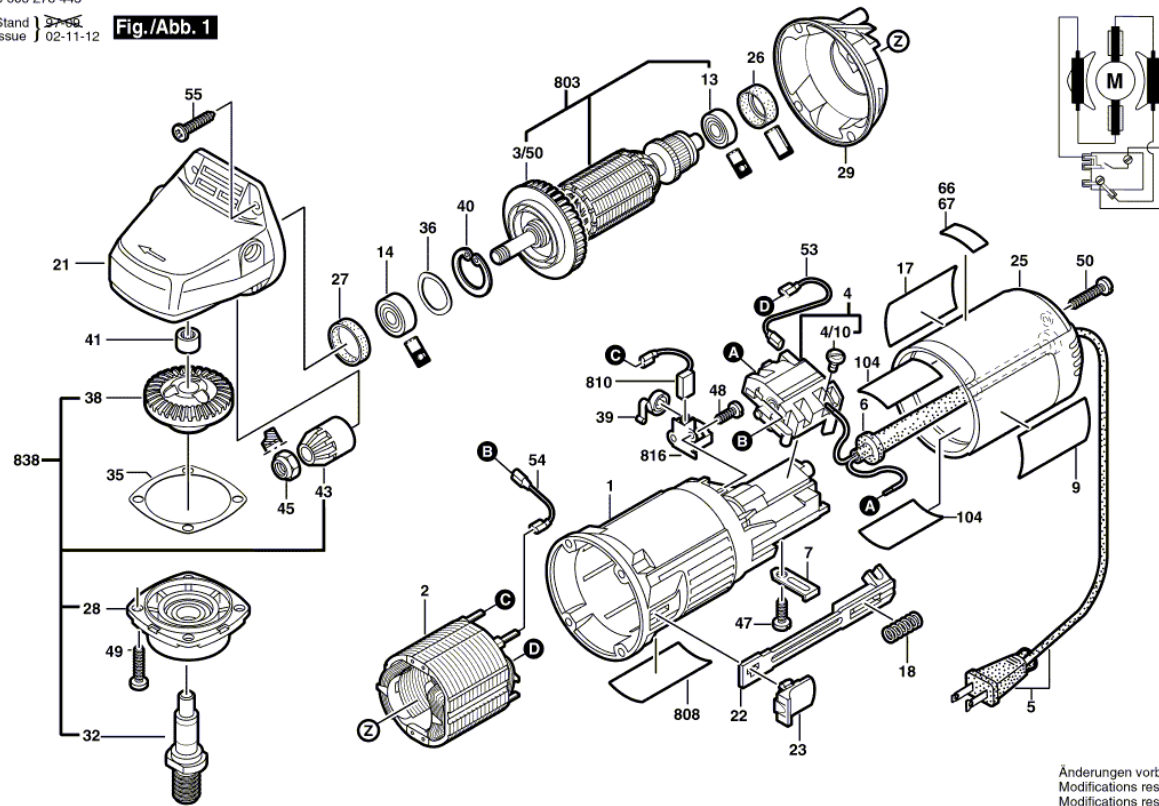
Spare parts list

Item	Part Number	Description		Illustration
47	2 910 211 018	Tapping Screw	DIN 7971-ST3,9x13-F	1
48	2 910 211 005	Tapping Screw	DIN 7971-ST2,9x9,5-F	1
49	2 912 401 420	Tapping Screw	DIN7981-ST3,9x19-F-Z	1
53	1 604 448 015	Connecting Cable		1
54	1 604 448 016	Connecting Cable		1
66	1 601 110 449	Nameplate	CAUTION	1
67	1 601 110 358	Reference Plate	CAUTION	1
104	1 601 008 003	Insulating Plate		1
803	1 604 010 260	Armature With Fan	100V	1
808	1 601 11A 3H3	Nameplate		1
810	1 607 014 116	Carbon-Brush Set		1
816	1 600 A00 3G4	Brush Holder		1
838	1 607 000 943	Crown Gear		1
650/20	1 603 345 043	Round Nut	M14	2
650/30	1 607 950 052	Pin-Type Face-Wrench		2
650/40	2 605 703 014	Clamping Flange	Ø22,3xØ42 MM	2
650/40/20	1 600 210 039	O-Ring	20,35x1,78 MM	2
650/50	2 607 950 511	Single-Head Eng. Wrench	SW17	2
651/10	1 602 025 027	Auxiliary Handle	M10	2
651/10	1 602 025 09T	Auxiliary Handle		2
652	1 600 A01 36P	Protective Cover		2
652/20	2 910 022 197	Socket head cap screw	DIN 84-M 6x16-8.8	2
896	1 600 A01 6PP	Fast Locking Flange		2

Illustration - Type - E

0 603 278 445
 Stand } 3764
 Issue } 02-11-12

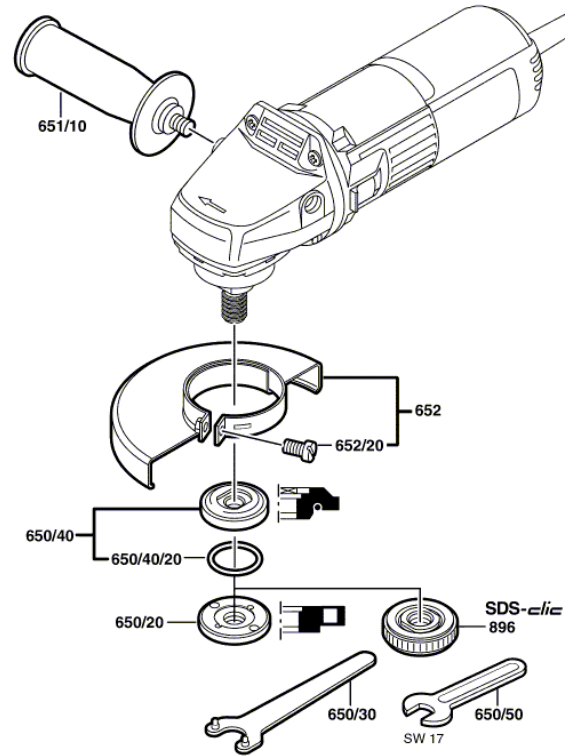
Fig./Abb. 1



Änderungen vorbehalten
 Modifications reserved
 Modifications reserves
 Salvo modificaciones

Illustration - Type - E

0 603 278 445
Stand } 3764
Issue } 02-11-12 **Fig./Abb. 2**



Änderungen vorbehalten
Modifications reserved
Modificacions reserves
Salvo modificaciones