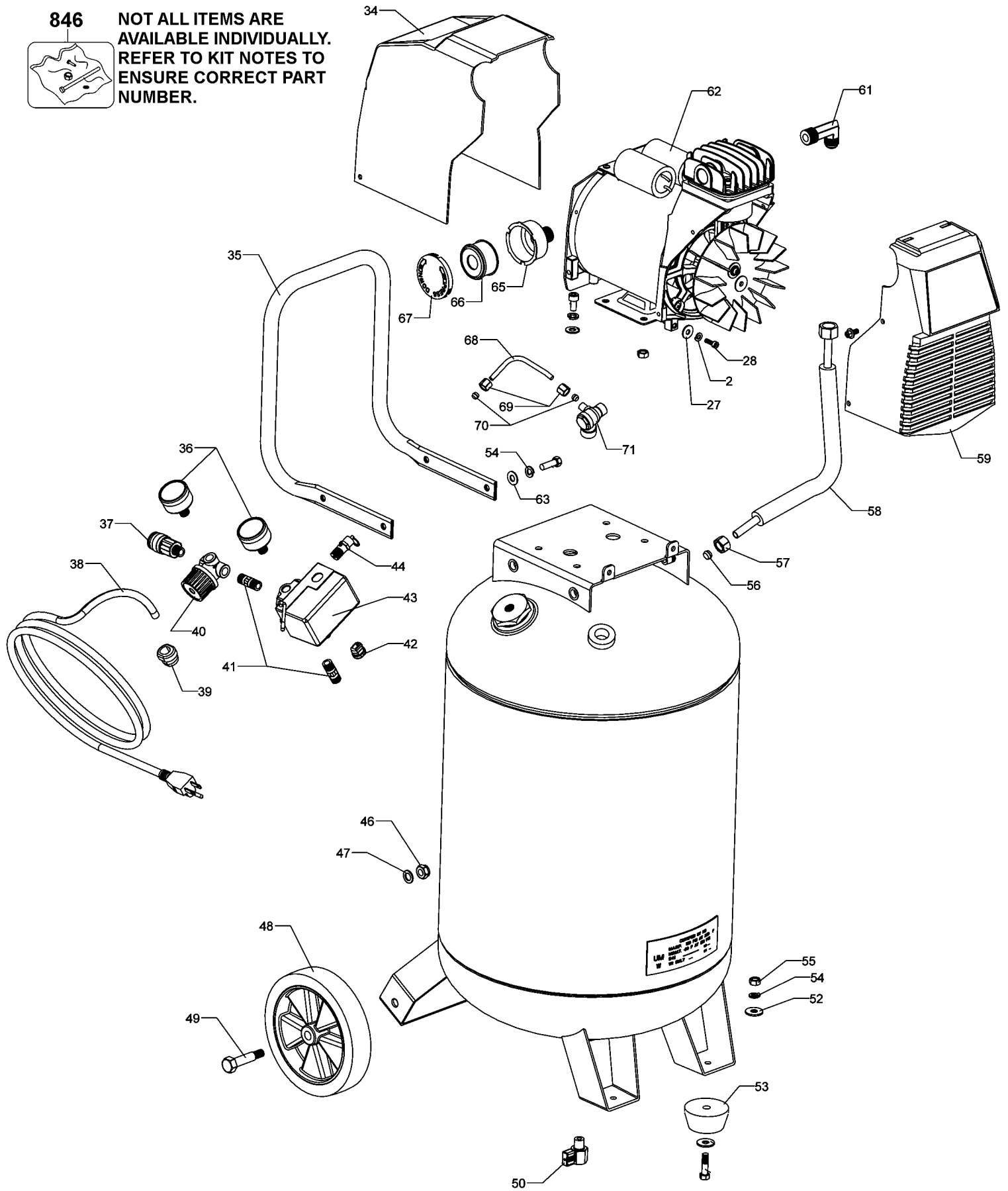


846

NOT ALL ITEMS ARE AVAILABLE INDIVIDUALLY. REFER TO KIT NOTES TO ENSURE CORRECT PART NUMBER.



Parts List for PXCmf220VW Type 0

Item Number	Part Number	Description	Qty Required
3	E100284	CYLINDER HEAD	1
15	E104779	MOTOR END CAP	1
29	E104273	RUN CAPACITOR	1
30	E104272	START CAPACITOR	1
34	E100300	SHROUD	1
35	E103967	HANDLE	1
36	E103686	GAUGE	2
37	5140186-61	QUICK CONNECT	1
38	5140186-62	POWER CORD	1
39	E101800	STRAIN RELIEF	1
40	E100971	REGULATOR	1
42	E100594	STRAIN RELIEF	1
43	5140186-66	PRESSURE SWITCH	1
44	E102612	SAFETY VALVE	1
50	E101717	DRAIN VALVE	1
53	E100240	FOOT	2
59	E100296	SHROUD	1
61	E100283	ELBOW	1
66	E100435	ELEMENT	1
71	5140186-73	CHECK VALVE	1
846	E103495	PISTON KIT	1
846	E105180SV	PUMP/MOTOR ASSEMBLY	1
846	E104834	PRESSURE RELIEF TUBE	1
846	E103497	VALVE PLATE KIT	1
846	E103286	OUTLET TUBE	1
846	5140186-77	WHEEL KIT	2
846	5140186-76	PUMP FAN KIT	1

Parts List for PXCmf220VW Type 0

Item Number	Part Number	Description	Qty Required
846	E100794	AIR FILTER ASSY.	1
846	5140186-82	O-RING KIT	1