

# Parts Manual

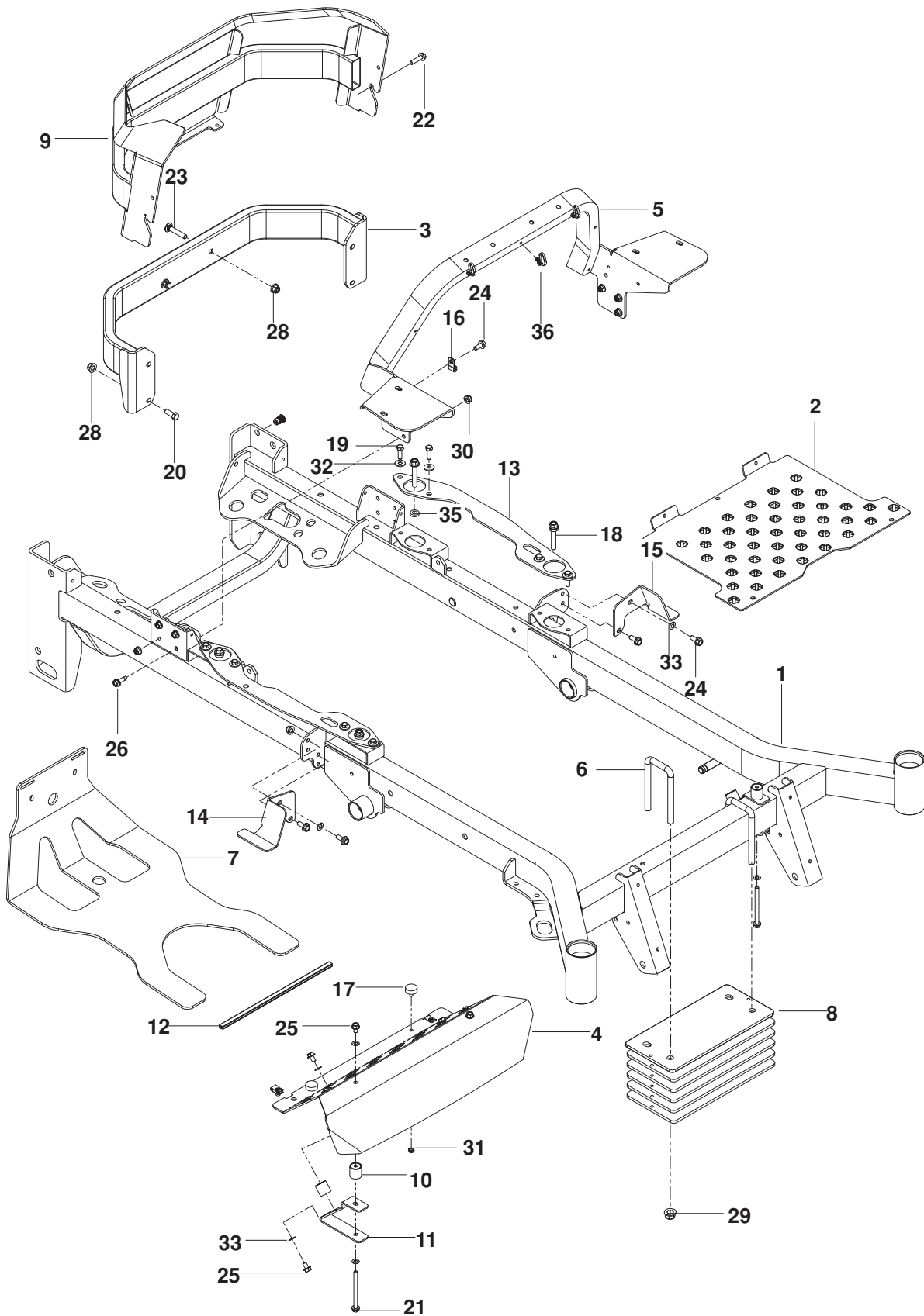
**PZ6029D / 966476701**

**PZ29D BF / 966554801**



Please read the operator's manual carefully and make sure you understand the instructions before using the machine.

# FRAME

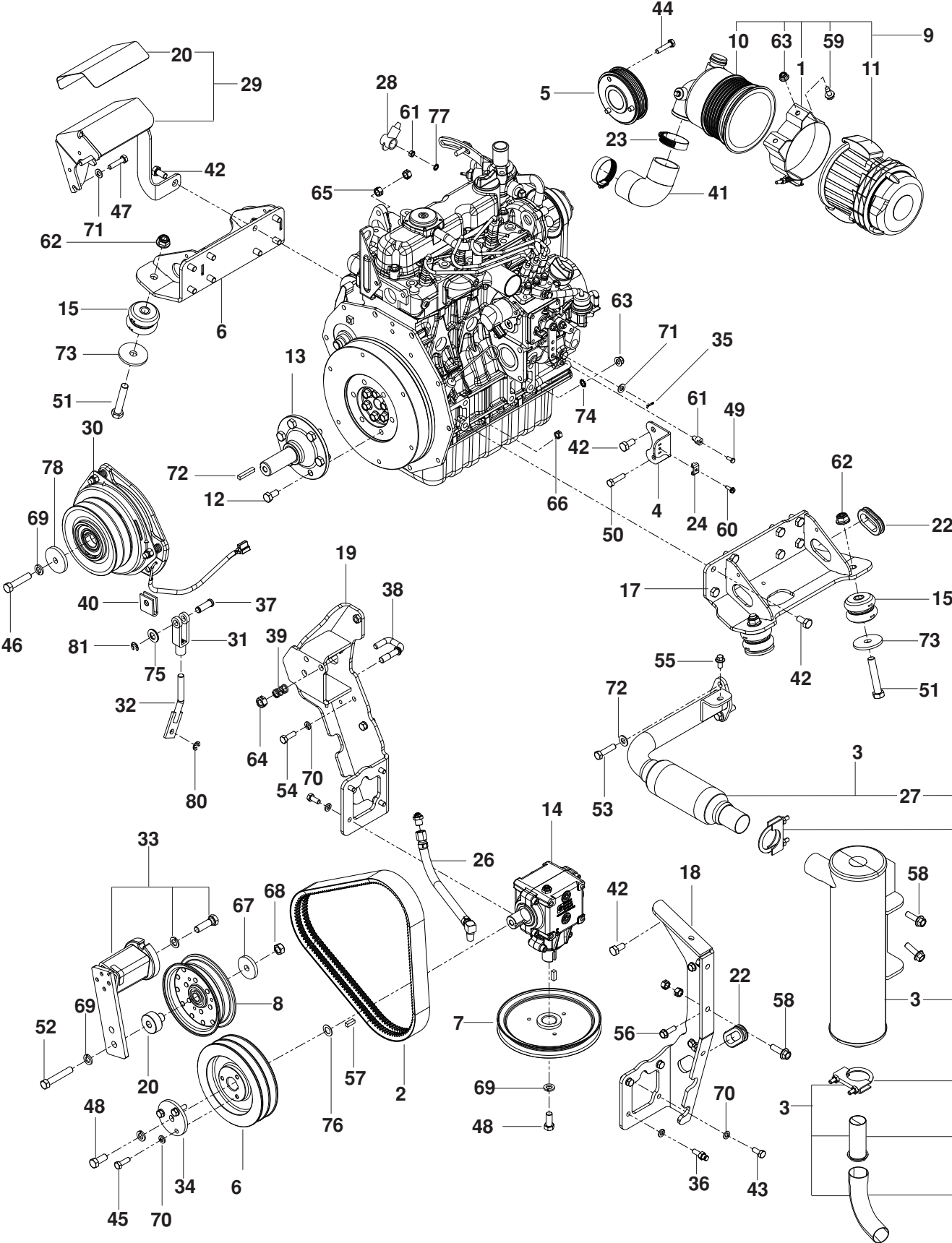


# FRAME

---

ITEM	PART NO.	QTY.	DESCRIPTION	ITEM	PART NO.	QTY.	DESCRIPTION
1..	522 739302.....	1	FRAME ORG	19..	539 990209.....	8	HCS <sup>5</sup> / <sub>16</sub> -18 x 1
2..	574 215602.....	1	FLOORPAN ORG	20..	539 990563.....	4	HCS <sup>3</sup> / <sub>8</sub> -16 x 1 HEX HD
3..	522 738904.....	1	BUMPER, RR w/ DECAL ORG	21..	539 131780.....	2	HHFS <sup>5</sup> / <sub>16</sub> -18 x 3 <sup>3</sup> / <sub>4</sub> HEX FLG
4..	574 215702.....	1	FOOT REST ORG	22..	525 544001.....	2	HHFS <sup>5</sup> / <sub>16</sub> -18 x 1 <sup>1</sup> / <sub>4</sub> TPBLT
5..	574 432602.....	1	CROSS MEMBER, GRY	23..	539 100145.....	2	RHSNB <sup>3</sup> / <sub>8</sub> -16 x 2
6..	575 880601.....	2	LINKAGE, U-BOLT	24..	525 464701.....	5	HHFS <sup>5</sup> / <sub>16</sub> -18 x <sup>3</sup> / <sub>4</sub>
7..	522 739902.....	1	PLATE, SKID GRY	25..	539 990858.....	6	SCREW <sup>5</sup> / <sub>16</sub> -18 x <sup>1</sup> / <sub>2</sub> SLF TAP
8..	575 880502.....	6	PLATE, WEIGH BLK	26..	539 113226.....	3	BOLT <sup>5</sup> / <sub>16</sub> -18 THD FRM
9..	574 433003.....	1	GUARD, RR w/ DECALS GRY	27..	539 111028.....	2	NUTSERT <sup>5</sup> / <sub>16</sub> -18
10..	510 083201.....	4	MOUNT, F/F INSERT	28..	521 996501.....	7	NUT <sup>3</sup> / <sub>8</sub> -16 HEX FLG NYLOC
11..	510 040301.....	2	BRACKET, REST MOUNT	29..	521 991101.....	4	NUT <sup>1</sup> / <sub>2</sub> -13 HEX FLG NYLOC
12..	539 112294.....	1	FLEX TRIM BLK	30..	539 112899.....	8	NUT <sup>5</sup> / <sub>16</sub> -18 HEX FLG NYLOC
13..	579 418502.....	2	STRAP, FRAME	31..	539 108120.....	2	NUT <sup>1</sup> / <sub>4</sub> x 20 HEX THIN
14..	529 279903.....	1	MOUNT, TANK RT BLK	32..	539 990692.....	8	WASHER <sup>5</sup> / <sub>16</sub> FLAT
15..	529 280003.....	1	MOUNT, TANK LT BLK	33..	539 109600.....	8	WASHER <sup>5</sup> / <sub>16</sub> DISC SPRING
16..	539 109867.....	1	CLAMP, DOUBLE TUBE	34..	539 109603.....	1	WASHER <sup>3</sup> / <sub>8</sub> EXT STAR
17..	575 811501.....	2	BUMPER	35..	539 109562.....	4	WASHER <sup>3</sup> / <sub>8</sub> THICK
18..	574 496901.....	4	HHFS <sup>3</sup> / <sub>8</sub> -16 x 2 <sup>1</sup> / <sub>2</sub>	36..	505 280001.....	3	TIE WRAP w/ CLIP

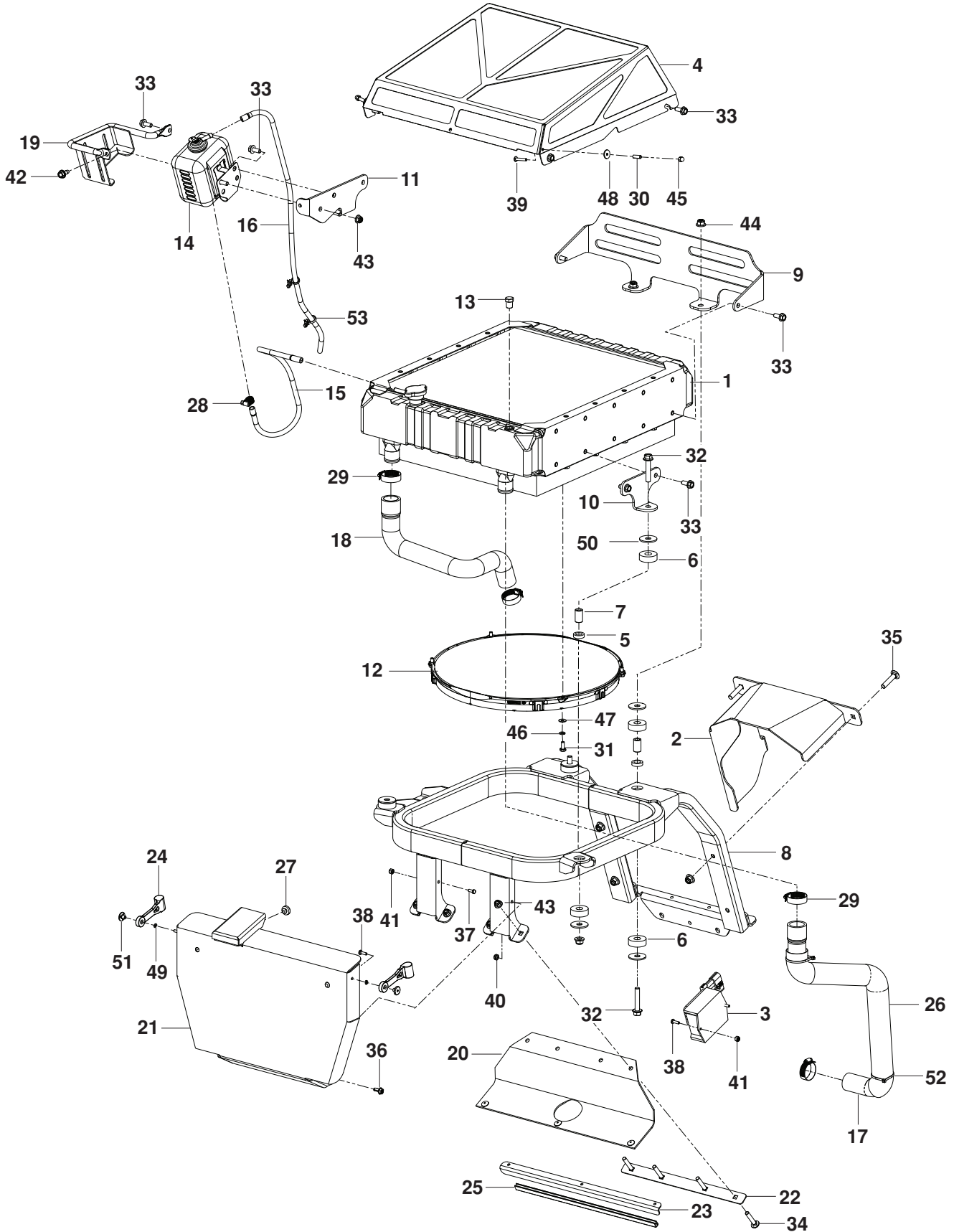
# ENGINE



# ENGINE

ITEM	PART NO.	QTY.	DESCRIPTION	ITEM	PART NO.	QTY.	DESCRIPTION
1..	539 108474.....	1	BRACKET, MOUNTING	44..	521 998801.....	3	HCS M8-1.25 x 35 GR8.8
2..	574 804101.....	1	BELT, CLUTCH	45..	539 990209.....	3	HCS 5/16-18 x 1
3..	575 244505.....	1	KIT, SPARK ARRESTOR	46..	539 111990.....	1	HCS 7/16-20 x 2 GR 8
4..	522 545201.....	1	BRACKET, THROTTLE	47..	539 977692.....	2	HCS M8-1.25 GR8.8 TAP
5..	515 989601.....	1	PULLEY, ENGINE	48..	539 124775.....	2	HCS 7/16-20 x 1 HEX HD
6..	574 753301.....	1	PULLEY, GEAR BOX	49..	539 990411.....	1	HCS #10-24 x 1/2 SLT HD
7..	515 997601.....	1	PULLEY, DRIVE	50..	539 990627.....	1	HCS 5/16-18 x 1 1/4 HEX HD
8..	539 103257.....	1	PULLEY, IDLER	51..	539 101332.....	4	HCS 1/2-13 x 2 3/4 HEX HD
9..	539 106376.....	1	AIR FILTER ASSY	52..	539 110065.....	1	HCS 7/16-20 x 2 3/4 HEX HD
10..	539 108470.....	1	AIR FILTER ASSY, UPPER	53..	539 990655.....	2	HCS 3/8-16 x 1 1/2 HEX HD
11..	539 108473.....	1	AIR FILTER ASSY, LOWER	54..	539 115578.....	2	HHB M8-1.25 x 25 GR 8.8
12..	575 244501.....	1	MUFFLER ASSY	55..	539 122388.....	1	HHB M8-1.25 x 16 GR 8.8
13..	574 890701.....	1	SHAFT, PILOT	56..	539 115648.....	3	SCREW 5/16-18 x 1 HWH TAP
14..	575 509401.....	1	GEAR BOX, 90°	57..	539 102067.....	2	HHB KEY 1/4" SQ x 3/4"
15..	515 990102.....	4	ISOLATOR, ENGINE	58..	525 834201.....	3	HHFS 3/8-16 x 1 1/4
16..	515 989002.....	1	MOUNT, MOTOR LT BLK	59..	539 107475.....	2	BOLT 5/16-18 x 3/4 THD FRM
17..	515 988802.....	1	MOUNT, MOTOR RT BLK	60..	539 991034.....	1	SCREW 10-24 x 5/8 WSHR HD
18..	574 888203.....	1	MOUNT, GEAR BOX, BLK	61..	539 117980.....	1	NUT M6-1.0 HEX
19..	574 751402.....	1	MOUNT, GEAR BOX, BLK	62..	521 991101.....	4	NUT 1/2-13 HEX FLG NYLOC
20..	574 394201.....	1	MOUNT, IDLER	63..	539 112899.....	3	NUT 5/16-18 HEX FLG NYLOC
21..	574 480601.....	1	SHIELD, HEAT BARRIER	64..	539 990839.....	1	NUT 7/16-14 HEX CTRLK GR A
22..	539 103684.....	2	GROMMET	65..	539 990546.....	10	NUT 3/8-16 HEX CNTRLK
23..	539 106384.....	2	CLAMP	66..	539 990184.....	3	NUT 5/16-18 HEX CTRLK
24..	522 752701.....	1	CLAMP, CABLE	67..	573 975201.....	1	NUT 7/16-20 HEX NYLOC
25..	522 545301.....	1	SWIVEL, THROTTLE	68..	539 106504.....	1	WASHER, HEAVY
26..	575 804901.....	1	HOSE, VENT	69..	539 990247.....	4	WASHER 7/16 SLW
27..	575 244503.....	1	PIPE, MANIFOLD	70..	539 990187.....	13	WASHER 5/16 SLW
28..	539 116400.....	1	TERMINAL COVER-SM	71..	539 990188.....	3	WASHER 5/16 SAE FLAT
29..	575 420403.....	1	SHIELD ASSY	72..	539 990122.....	2	WASHER 3/8 SAE FLT
30..	574 804001.....	1	CLUTCH, OGURA	73..	539 111844.....	4	WASHER, HEAVY
31..	574 803901.....	1	YOKE, CLEVIS	74..	539 109556.....	1	WASHER 5/16 EXT STAR LK
32..	574 803801.....	1	LINKAGE, ANTI-ROTATION	75..	539 110656.....	1	WASHER 1/2 x 1
33..	574 804301.....	1	TENSIONER ASSY	76..	539 115610.....	1	WASHER, SPECIAL
34..	574 890401.....	1	PLATE, PULLEY	77..	539 990053.....	1	WASHER 1/4 INT TOOTH LK
35..	539 990555.....	1	PIN, COTTER	78..	539 125626.....	1	WASHER, BLADE
36..	574 804501.....	1	PIN, PIVOT	79..	539 109161.....	1	KEY 1/4 SQ x 1 1/2
37..	510 090101.....	1	PIN 7/16 CLEVIS	80..	539 990870.....	1	E- RING 3/8"
38..	574 890601.....	1	PIN, DETENT	81..	522 705201.....	1	E RING 7/16
39..	574 890501.....	1	SPRING, COMPRESSION	NOT SHOWN			
40..	575 699401.....	1	SPACER, RUBBER	574 439302.....	1	HARNES, ENGINE	
41..	515 990401.....	1	HOSE, AIR INTAKE	539 127037.....	1	CABLE, GROUND	
42..	522 453101.....	24	HCS M10-1.25 x 20 GR 8.8	539 976856.....	2	WIRE TIE	
43..	539 990206.....	7	HCS 5/16-18 x 3/4				

# COOLING SYSTEM

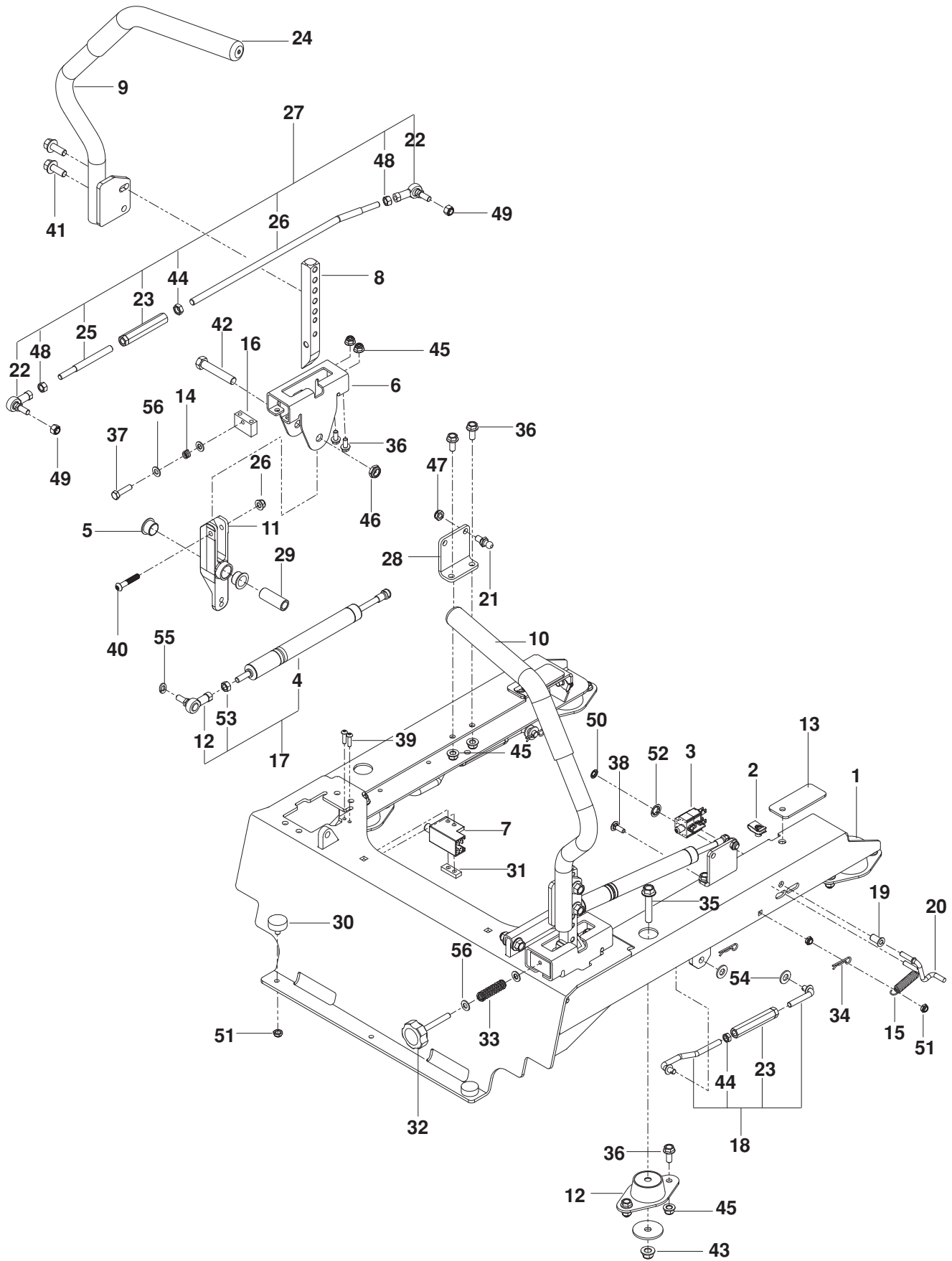


# COOLING SYSTEM

---

ITEM	PART NO.	QTY.	DESCRIPTION	ITEM	PART NO.	QTY.	DESCRIPTION
1..	574 351601.....	1	RADIATOR	28..	576 286001.....	1	CLAMP
2..	574 722305.....	1	SHIELD, BELT, GRY w/ DECAL	29..	539 106321.....	4	CLAMP, HOSE
3..	574 431401.....	1	MODULE, FAN REVERSE	30..	539 108085.....	2	SPACER, SPLIT
4..	574 356108.....	1	SCREEN, DEBRIS, BLK	31..	539 990072.....	4	HCS 1/4-20 x 5/8
5..	539 116377.....	4	ISO-MOUNT INSERT	32..	525 866201.....	4	HHFS 3/8-16 x 2
6..	539 116378.....	8	ISO-MOUNT BUSHING	33..	525 464701.....	1	HHFS 5/16-18 x 3/4
7..	539 121367.....	4	ISO-MOUNT BUSHING	34..	539 990861.....	4	RHSNB 5/16-18 x 1 3/4
8..	574 432702.....	1	MOUNT, RADIATOR, GRY	35..	539 990923.....	3	RHSNB 3/8-16 x 1 3/4
9..	574 433802.....	1	MOUNT, RADIATOR RR BLK	36..	539 107631.....	2	SCREW 1/4 -20 x 5/8 THDROLL
10..	574 433702.....	1	MOUNT, RADIATOR, FT BLK	37..	539 990411.....	1	SCREW #10-24 x 1/2 SLT HEX HD
11..	574 841002.....	1	MOUNT, RADIATOR, RT	38..	539 976952.....	4	SCREW #10-24 x .625 MACH
12..	516 018601.....	1	FAN, ELECTRIC	39..	539 108083.....	2	SCREW #10- 24 x 1 1/8
13..	574 596801.....	1	FITTING 1/4 NPT PIPE	40..	539 108120.....	2	NUT 1/4-20 HEX THIN NYLOC
14..	522 503501.....	1	BOTTLE, OVERFLOW	41..	539 976977.....	3	NUT #10-24 HEX NYLOC
15..	574 845401.....	1	HOSE, OVERFLOW UPPER	42..	539 107475.....	1	BOLT 5/16-18 x 3/4 THD FRM
16..	574 845402.....	1	HOSE, OVERFLOW LOWER	43..	539 112899.....	5	NUT 5/16-18 HEX FLG NYLOC
17..	574 431101.....	1	HOSE, RADIATOR, LT	44..	521 996501.....	7	NUT 3/8-16 HEX FLG NYLOC
18..	574 431001.....	1	HOSE, RADIATOR, RT	45..	539 108086.....	2	NUT #10-24 ACORN
19..	575 256402.....	1	GUARD, OVERFLOW BLK	46..	539 990052.....	4	WASHER 1/4 SPLT LCK
20..	522 023101.....	1	GUARD, BELT	47..	539 990055.....	4	WASHER 1/4 FLAT SAE
21..	575 315003.....	1	GUARD, HOSE BLK w/ DECAL	48..	539 108084.....	2	WASHER 3/16 x 3/4 x 16 GA
22..	522 023201.....	1	STRAP, GUARD	49..	539 109552.....	2	WASHER 3/16 LCK
23..	574 469302.....	1	STRAP, BELT GUARD BLK	50..	539 115516.....	8	WASHER 7/16 FLAT
24..	539 108088.....	2	LATCH, HOOD	51..	539 108089.....	2	WELD NUT PLATED
25..	539 112294.....	1	FLEX TRIM BLK	52..	539 976856.....	2	WIRE TIE
26..	575 867701.....	1	SLEEVE, HOSE	53..	505 280001.....	2	TIE WRAP w/ CLIP
27..	539 102587.....	2	GROMMET, BUMPER				

# STEERING

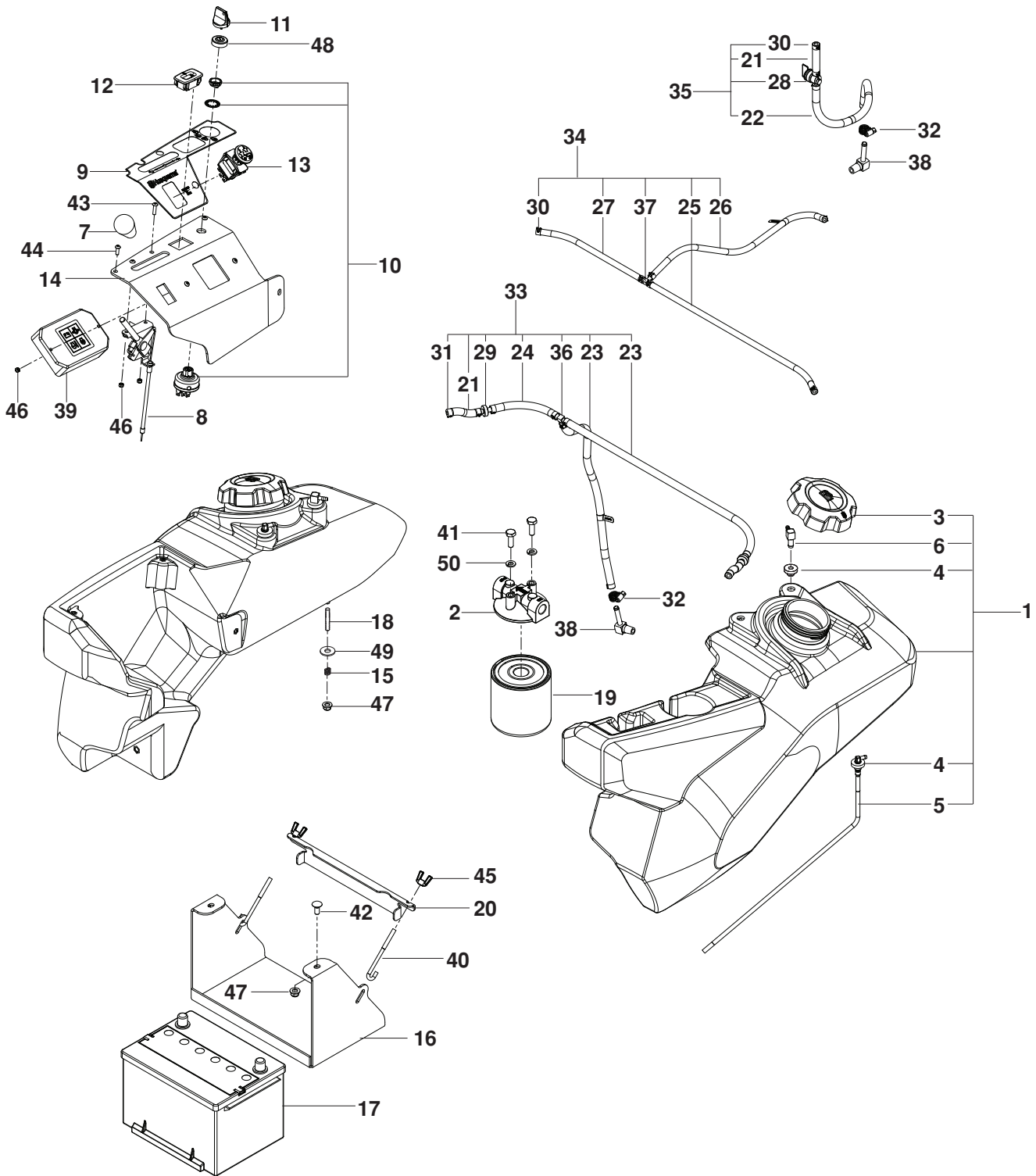




# STEERING

ITEM	PART NO.	QTY.	DESCRIPTION	ITEM	PART NO.	QTY.	DESCRIPTION
1..	577 327702.....	1	FRAME MOUNT ORG	29..	577 252401.....	2	SPACER, PIVOT
2..	539 104763.....	4	RETAINER, U TYPE	30..	578 811501.....	2	BUMPER
3..	539 113792.....	1	SWITCH, BRAKE (3-POLE)	31..	539 102678.....	1	PLATE, TAPPED
4..	522 612701.....	4	DAMPENER	32..	539 131799.....	1	KNOB
5..	539 131518.....	4	BEARING, FLANGE	33..	576850301.....	1	SPRING
6..	577 251701.....	2	BRACKET, CONTROL	34..	539 976988.....	4	HAIRPIN COTTER
7..	539 109553.....	2	SWITCH N.C.	35..	525 866201.....	4	HHFS 3/8-16 x 2
8..	574 269401.....	2	LEVER, MOTION	36..	525 464701.....	20	HHFS 5/16-18 x 3/4
9..	577 042403.....	1	LEVER w/ GRIP RT	37..	539 990627.....	2	BOLT 5/16-18 x 1 1/4 HEX TPBLT
10..	577 042303.....	1	LEVER w/ GRIP LT	38..	539 990074.....	1	RHSNB 1/4-20 x 3/4 GR2
11..	576 140302.....	2	LEVER, CONTROL	39..	574 822701.....	4	SCREW 10-24 x 3/4 SKT HD
12..	539 131749.....	2	ROD END, SPHERICAL	40..	576 850402.....	2	SCREW 5/16-18 x 1 3/4 BTN HD
13..	576 688902.....	2	SPACER, BLK	41..	525 612801.....	4	HHFS 3/8-16 x 1 HEX FLG
14..	539 102845.....	2	SPRING	42..	539 101721.....	2	HCS 1/2 -13 x 2 3/4
15..	539 020035.....	1	SPRING	43..	521 996501.....	4	NUT 3/8-16 HEX FLG NYLOC
16..	577 251801.....	2	BLOCK, TRACKING	44..	539 108732.....	4	NUT 3/8-24 HEX JAM
17..	522 842501.....	2	DAMPENER ASSY	45..	539 112899.....	20	NUT 5/16-18 HEX FLANGE NYLOC
18..	525 447901.....	2	SEAT STRUT ASSY	46..	539 108101.....	2	NUT 1/2-13 HEX JAM NYLOC GR2
19..	511 594901.....	1	BUSHING 1/4 FLANGE	47..	539 990717.....	2	NUT 5/16-18 HEX NYLOC
20..	511 595001.....	1	LINK, SWITCH	48..	539 990223.....	4	NUT 5/16-24 HEX
21..	539 110607.....	2	BALL STUD 10MM	49..	539 110943.....	4	NUT 5/16-24 NYLOC
22..	539 110603.....	4	ROD END, SPHERICAL RH	50..	539 102234.....	1	NUT 1/4 PUSH
23..	539 109149.....	4	TURNBUCKLE 3/8	51..	539 108120.....	4	NUT 1/4-20 HEX THIN NYLOC
24..	539 130894.....	2	GRIP, LEVER	52..	539 913847.....	2	NUT RETAINER 3/8
25..	522 559201.....	2	LINKAGE, CONTROL FT	53..	539 127046.....	2	HEXNUT M8 x 1.25 STD
26..	575 324601.....	2	LINKAGE, CONTROL	54..	539 990122.....	4	WASHER 3/8 SAE FLT
27..	575 324602.....	2	LINKAGE ASSY, CONTROL	55..	539 990187.....	2	WASHER 5/16 SLW
28..	577 265801.....	2	BRACKET, DAMPENER	56..	539 990188.....	4	WASHER 5/16 SAE FLAT

# IGNITION SYSTEM

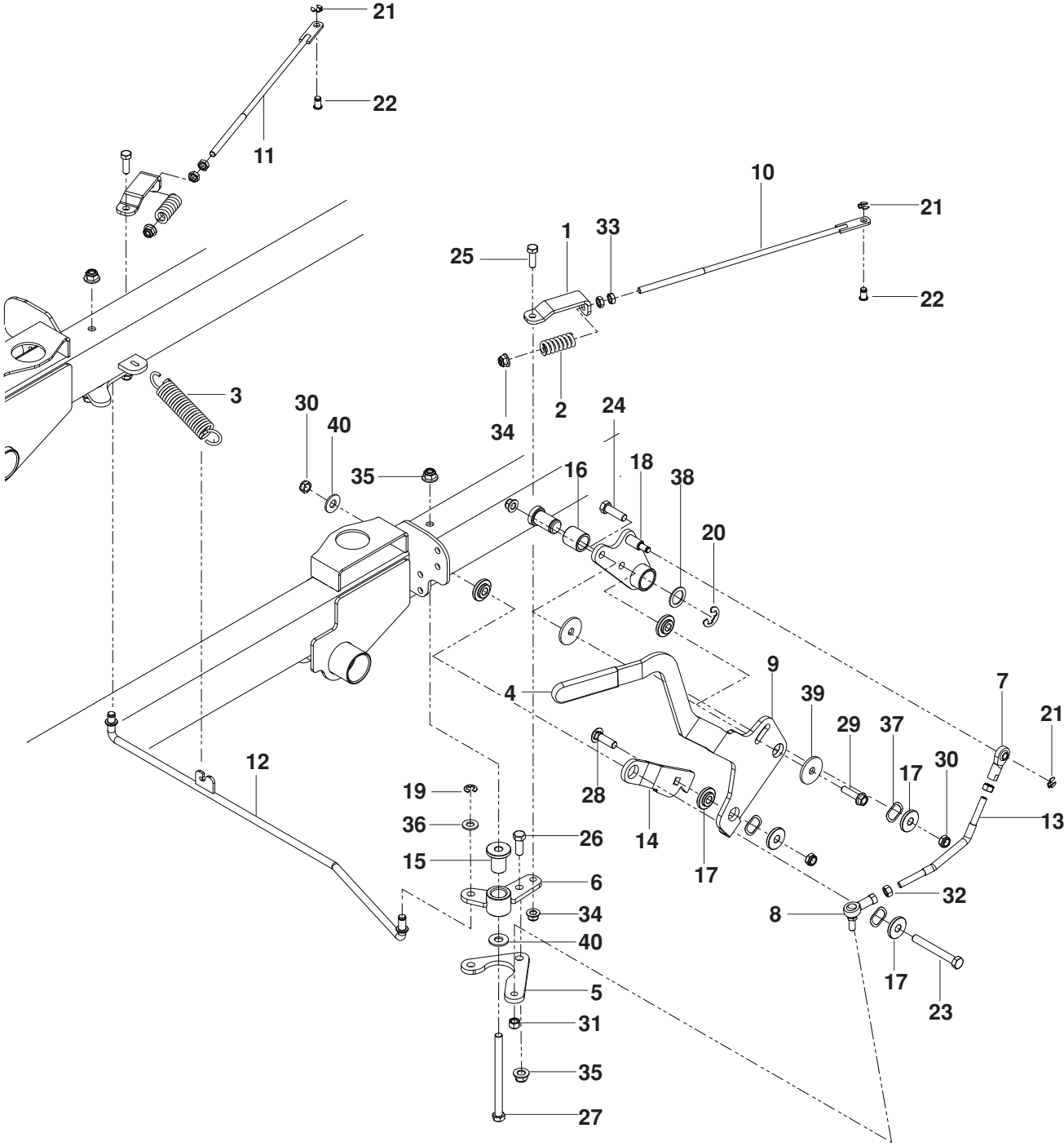


# IGNITION SYSTEM

---

ITEM	PART NO.	QTY.	DESCRIPTION	ITEM	PART NO.	QTY.	DESCRIPTION
1..	574 433202.....	1	TANK ASSY, LT	28..	539 916325.....	1	VALVE, FUEL
	574 433302.....	1	TANK ASSY, RT	29..	574 206701.....	1	VALVE, CHECK
2..	522 485501.....	1	HEAD, FUEL FILTER	30..	539 912222.....	14	CLAMP, HOSE
3..	574 460001.....	1	CAP, DIESEL FUEL	31..	575 436501.....	6	CLAMP
4..	539 105245.....	4	GROMMET, RUBBER	32..	576 286001.....	2	CLAMP
5..	525 865401.....	2	FITTING, FUEL	33..	574 431901.....	1	LINE, FUEL ASSY
6..	522 732701.....	2	FITTING, RETURN	34..	574 432001.....	1	LINE, FUEL ASSY RETURN
7..	539 132624.....	1	KNOB	35..	522 830701.....	1	LINE, FUEL ASSY
8..	574 507901.....	1	CABLE, THROTTLE	36..	574 206601.....	1	TEE, FUEL LINE
9..	574 433501.....	1	DECAL, CONTROL	37..	574 206602.....	1	TEE, FUEL LINE
10..	574 455401.....	1	SWITCH, IGNITION	38..	522 732801.....	2	FITTING, 90°
11..	574 455501.....	1	KEY, IGNITION	39..	574 433601.....	1	MODULE, CONTROL
12..	539 110074.....	1	HOUR METER	40..	510 064001.....	2	J HOOK
13..	539 131627.....	1	SWITCH, PTO 10 AMP	41..	539 990580.....	2	HCS 1/4-20 x 3/4
14..	574 433402.....	1	PANEL, CONTROL GRY	42..	539 990316.....	2	RHSNB 5/16-18 x 3/4
15..	539 102845.....	4	SPRING, TANK MOUNT	43..	574 822701.....	4	SCREW 10-24 x 3/4 SKT HD
16..	516 022702.....	1	BOX, BATTERY BLK	44..	539 114341.....	3	SCREW 10-24 x 3/8 SKT HD
17..	522 924301.....	1	BATTERY, 500 CCA	45..	539 990997.....	2	WINGNUT 1/4-20 NYLOC
18..	539 102502.....	4	STUD, FUEL TANK	46..	539 976977.....	4	NUT 10-24 HEX NYLOC
19..	522 485401.....	1	FILTER, FUEL	47..	539 112899.....	6	NUT 5/16-18 HEX FLG NYLOC
20..	521 895001.....	1	BRACKET, BATTERY MOUNT	48..	539 103178.....	1	NUTCAP, IGNITION
21..	505 215101.....	2	FUEL LINE 1/2 x 2 1/2"	49..	539 990188.....	4	WASHER 5/16 SAE FLAT
22..	539 104993.....	1	FUEL LINE 1/2 x 14"	50..	539 990052.....	2	WASHER 1/4 SPLT LK
23..	574 517301.....	2	FUEL LINE 1/2 x 21"	NOT SHOWN			
24..	539 110425.....	1	FUEL LINE 1/2 x 5"	522 830301.....	1	CABLE, POSITIVE	
25..	574 521302.....	1	FUEL LINE 3/16 x 17 1/4"	522 830401.....	1	CABLE, NEGATIVE	
26..	574 521303.....	1	FUEL LINE 3/16 x 18 1/2"	574 439301.....	1	HARNESS, MAIN	
27..	574 521301.....	1	FUEL LINE 3/16 x 9 1/2"				

# PARKING BRAKE

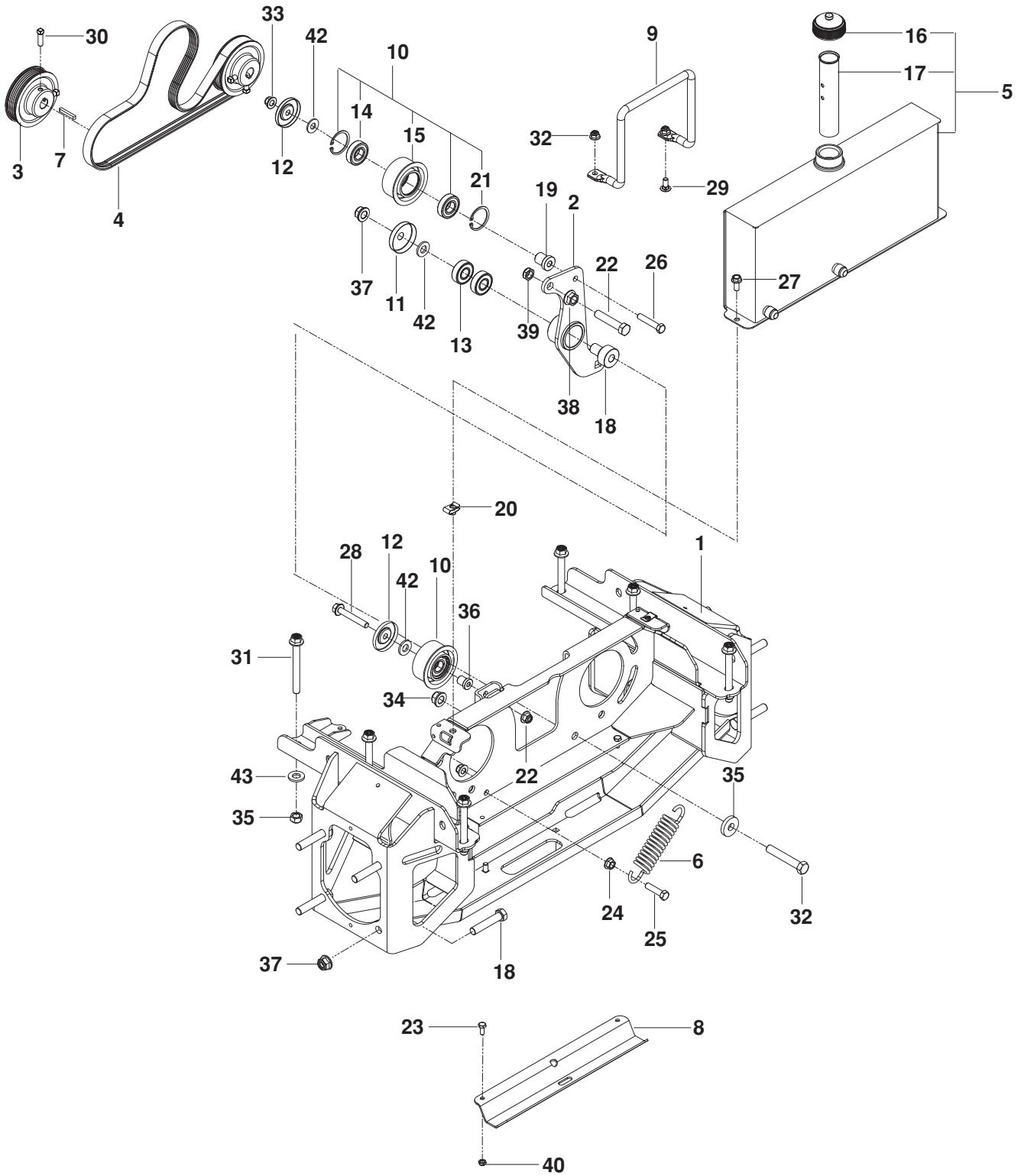


# PARKING BRAKE

---

ITEM	PART NO.	QTY.	DESCRIPTION	ITEM	PART NO.	QTY.	DESCRIPTION
1..	516 036301.....	2 ....	BRACKET, BRAKE	21..	539 109303.....	3 ....	RING <sup>5</sup> / <sub>16</sub> RETAINING EXT
2..	539 113952.....	2 ....	SPRING	22..	522 421201.....	2 ....	PIN, BRAKE ARM
3..	539 106850.....	1 ....	SPRING	23..	539 101341.....	1 ....	HCS <sup>3</sup> / <sub>8</sub> -16 x 3
4..	539 976526.....	1 ....	GRIP, LEVER	24..	539 976941.....	1 ....	HCS <sup>3</sup> / <sub>8</sub> -16 x 1¼
5..	574 522502.....	1 ....	PLATE, BRAKE, BLK	25..	539 990209.....	2 ....	HCS <sup>5</sup> / <sub>16</sub> -18 x 1
6..	516 036604.....	2 ....	BELLCRANK, BRAKE	26..	539 990563.....	1 ....	HCS <sup>3</sup> / <sub>8</sub> -16 x 1
7..	539 102590.....	1 ....	BALL END, RH	27..	539 101517.....	2 ....	HCS <sup>3</sup> / <sub>8</sub> -16 x 5
8..	539 110603.....	1 ....	ROD END, SPHERICAL RH	28..	539 100413.....	1 ....	RHSNB <sup>3</sup> / <sub>8</sub> -16 x 1¼
9..	515 980002.....	1 ....	LEVER, BRAKE BLK	29..	525 544001.....	1 ....	HHFS <sup>5</sup> / <sub>16</sub> -18 x 1½ TPBLT
10..	516 036101.....	1 ....	LINKAGE, BRAKE LT RR	30..	539 200282.....	3 ....	NUT <sup>3</sup> / <sub>8</sub> -16 HEX JAM NYLOC
11..	516 036102.....	1 ....	LINKAGE, BRAKE, RT RR	31..	539 110943.....	2 ....	NUT <sup>5</sup> / <sub>16</sub> -24 NYLOC
12..	516 036201.....	1 ....	LINKAGE, BRAKE, PRIMARY	32..	539 990223.....	2 ....	NUT <sup>5</sup> / <sub>16</sub> -24 HEX
13..	574 527501.....	1 ....	LINKAGE, BRAKE	33..	539 107897.....	4 ....	NUT <sup>5</sup> / <sub>16</sub> -18 HEX JAM
14..	515 980301.....	1 ....	LINK FOLLOWER	34..	539 112899.....	5 ....	NUT <sup>5</sup> / <sub>16</sub> -18 HEX FLG NYLOC
15..	516 036401.....	2 ....	BUSHING, PIVOT	35..	521 996501.....	3 ....	NUT <sup>3</sup> / <sub>8</sub> -16 HEX FLG NYLOC
16..	510 089201.....	1 ....	BUSHING <sup>3</sup> / <sub>4</sub> x 1 SLEEVE	36..	539 990122.....	2 ....	WASHER <sup>3</sup> / <sub>8</sub> SAE FLT
17..	539 132161.....	6 ....	BUSHING, BRAKE	37..	539 133007.....	3 ....	WASHER, WAVE
18..	521 885601.....	1 ....	ARM, BRAKE	38..	539 910935.....	1 ....	WASHER
19..	539 990870.....	2 ....	E- RING <sup>3</sup> / <sub>8</sub> "	39..	525 490901.....	2 ....	WASHER <sup>1</sup> / <sub>8</sub> FRICTION
20..	539 102454.....	1 ....	E-RING <sup>3</sup> / <sub>4</sub> "	40..	539 990517.....	3 ....	WASHER <sup>3</sup> / <sub>8</sub> FLT STD

# HYDRAULIC FRAME

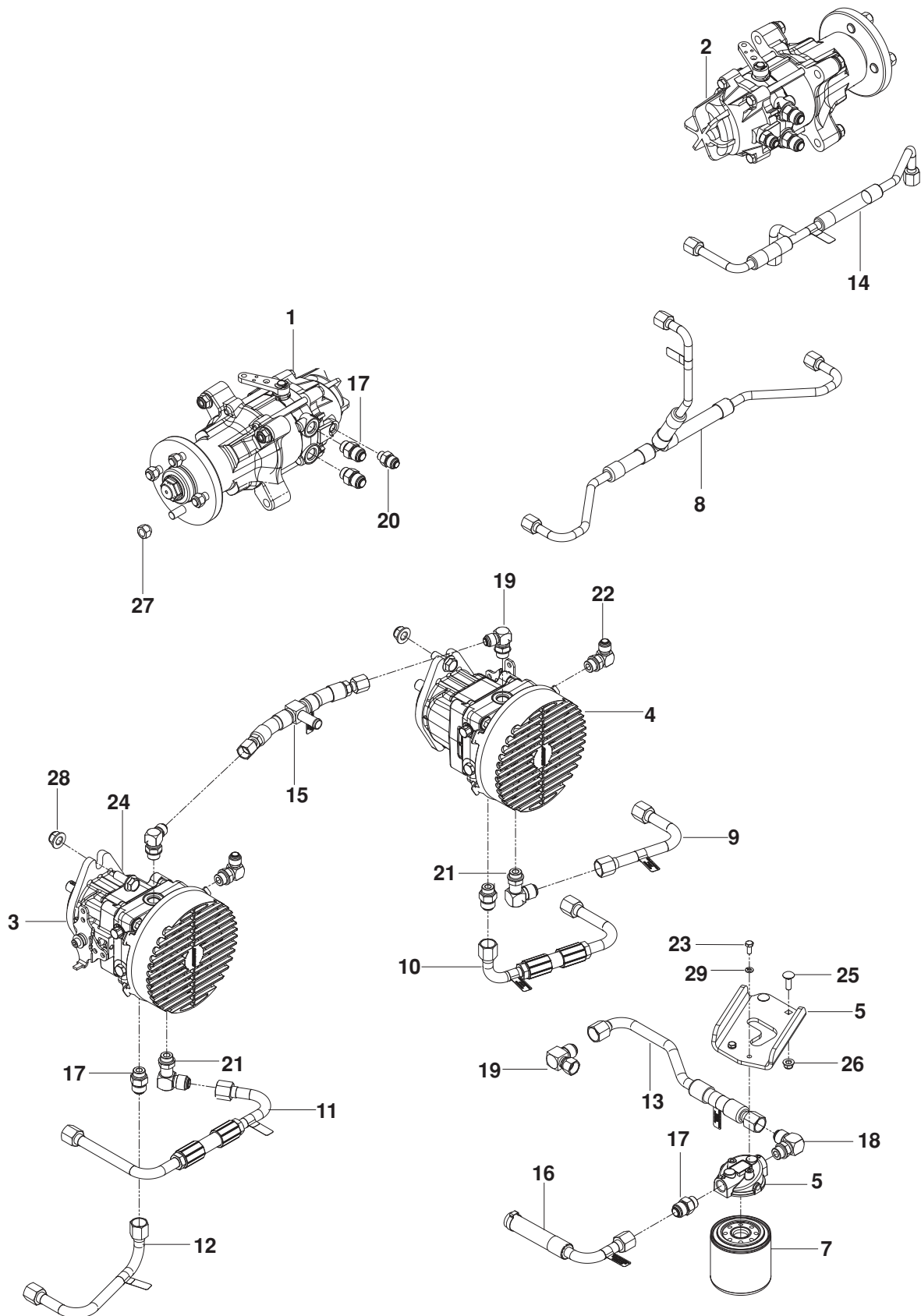


# HYDRAULIC FRAME

---

ITEM	PART NO.	QTY.	DESCRIPTION	ITEM	PART NO.	QTY.	DESCRIPTION
1..	574 888702.....	1	PUMP BAY, BLK	23..	539 990072.....	2	HCS 1/4-20 x 5/8
2..	574 890201.....	1	IDLER w/ BEARINGS ASSY	24..	539 107042.....	1	HCS 3/8-16 x 1 1/2 GR 8
3..	539 106334.....	2	SHEAVE, PUMP	25..	539 101572.....	1	HCS 1/2-13 x 3
4..	574 890001.....	1	BELT, PUMP	26..	539 990588.....	1	HCS 3/8-16 x 2
5..	515 999302.....	1	RESERVOIR ASSY	27..	525 464701.....	2	HHFS 5/16-18 x 3/4
6..	539 110655.....	1	SPRING	28..	539 131781.....	1	HHFS 3/8-16 x 2 3/4
7..	539 109178.....	2	KEY, 5MM SQ x 36MM	29..	539 990316.....	2	RHSNB 5/16-18 x 3/4
8..	522 957201.....	1	GUARD, HOSE	30..	539 102716.....	4	SCREW 5/16-18 x 1 SQ HD SET
9..	574 507601.....	1	GUIDE, BELT	31..	521 983801.....	6	BOLT 7/16-14 x 4 GR8 BLK
10..	576 937901.....	2	PULLEY ASSY, IDLER	32..	539 112899.....	2	NUT 5/16-18 HEX FLG NYLOC
11..	539 114662.....	1	SHIELD, DUST 1/2 ID	33..	521 996501.....	3	NUT 3/8-16 HEX FLG NYLOC
12..	510 254501.....	2	SHIELD, DUST	34..	521 991101.....	4	NUT 1/2-13 HEX FLG NYLOC
13..	539 112050.....	2	BEARING	35..	539 119124.....	6	NUT 7/16-14 HEX NYLOC
14..	539 130296.....	2	BEARING	36..	539 990613.....	1	NUT 3/8-16 HEX WHIZLK
15..	576 689901.....	1	IDLER, PUMP	37..	521 991101.....	1	NUT 1/2-13 HEX FLG NYLOC
16..	522 805301.....	1	CAP, RESERVOIR	38..	539 111187.....	1	NUT 1/2-13 HEX WHIZLK
17..	522 805001.....	1	TUBE, ANTI-SPLASH	39..	539 117378.....	1	NUT 1/2-13 HEX THIN NYLOC
18..	510 206301.....	1	PIVOT, BEARING	40..	539 108120.....	2	NUT 1/4-20 HEX THIN NYLOC
19..	576 690001.....	2	SPACER, IDLER	41..	539 115636.....	1	WASHER 1/2 x 1/2
20..	539 104763.....	2	RETAINER, U TYPE	42..	539 990517.....	2	WASHER 3/8 FLT STD
21..	576 816901.....	2	RING, RETAINING	43..	539 990250.....	7	WASHER, SAE
22..	539 108346.....	9	HCS 1/2-13 x 2 1/2				

# HYDRAULIC PUMP-MOTOR



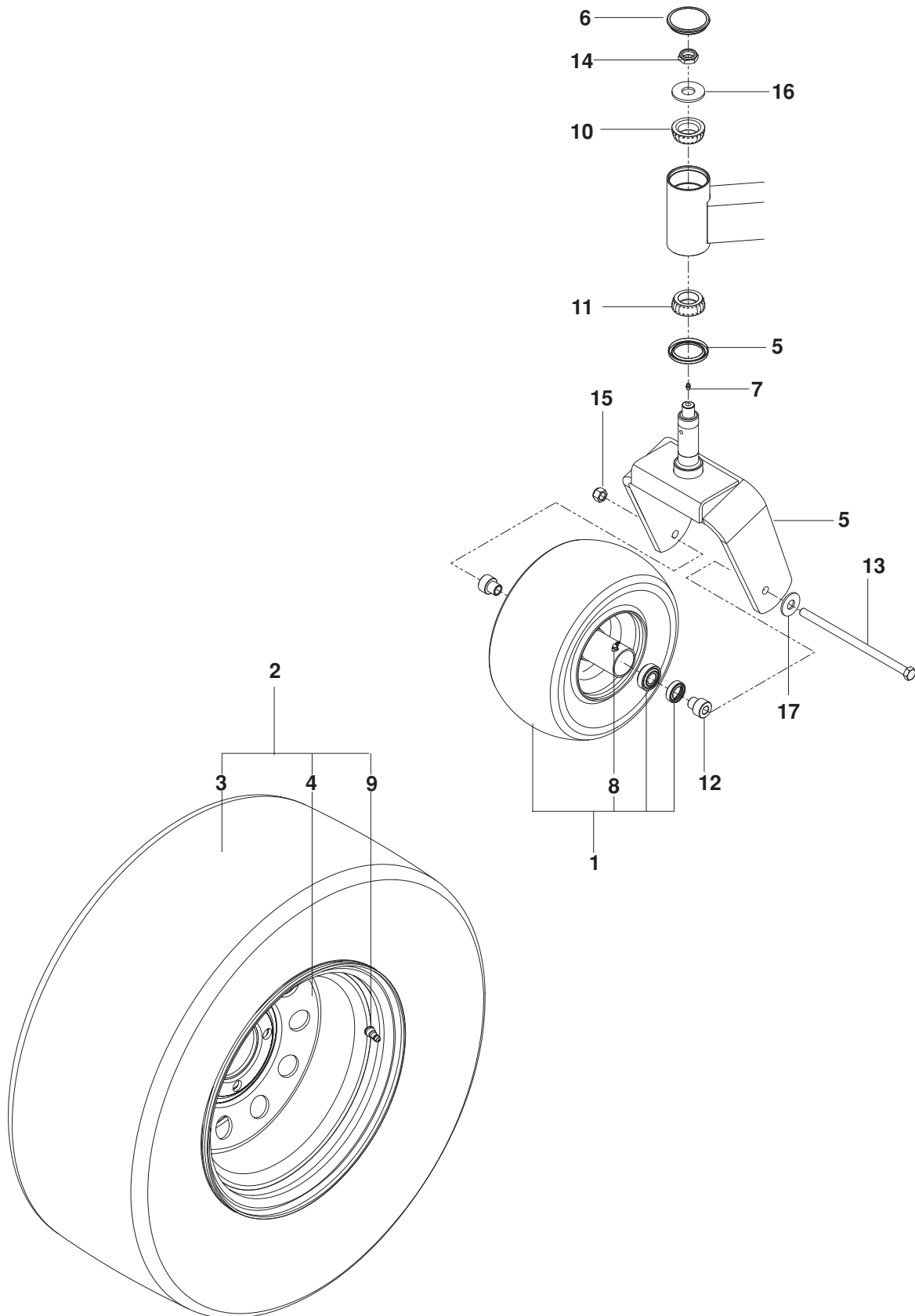


# HYDRAULIC PUMP-MOTOR

---

ITEM	PART NO.	QTY.	DESCRIPTION	ITEM	PART NO.	QTY.	DESCRIPTION
1..	515 999101.....	1 ....	MOTOR, PRM, RT	16..	576 045201.....	1 ....	LINE, HYD, CHARGE
2..	515 999201.....	1 ....	MOTOR, PRM, LT	17..	539 132889.....	7 ....	FITTING, 10-8 STRAIGHT
3..	515 998901.....	1 ....	PUMP, 21CC, RT	18..	539 106370.....	1 ....	FITTING
4..	515 999001.....	1 ....	PUMP, 21CC, LT	19..	576 191301.....	1 ....	FITTING, HYD, 6500-10-8
5..	575 872301.....	1 ....	HEAD, FILTER	20..	539 131748.....	2 ....	FITTING, HYD
6..	576 190602.....	1 ....	MOUNT, FILTER, BLK	21..	539 132888.....	2 ....	FITTING, 10-8 90°
7..	522 805401.....	1 ....	FILTER, 25 MICRON	22..	539 101242.....	4 ....	FITTING 90° ADJ
8..	516 000101.....	1 ....	LINE, HYD, CASE-PRM	23..	539 990072.....	2 ....	HCS ¼-20 x 5/8
9..	574 888801.....	1 ....	LINE, HYD, LT-AA	24..	539 990622.....	4 ....	BOLT ½-13 x 1¼ WHIZLK SP
10..	574 889001.....	1 ....	LINE, HYD, LT-BB	25..	539 990208.....	2 ....	RHSNB 5/16-18 x 1
11..	574 889101.....	1 ....	LINE, HYD, RT-AB	26..	539 112899.....	2 ....	NUT 5/16-18 HEX FLG NYLOC
12..	574 889201.....	1 ....	LINE, HYD, RT-BA	27..	539 101173.....	8 ....	NUT ½ LUG
13..	576 045001.....	1 ....	LINE, HYD, SUCTION	28..	521 991101.....	4 ....	NUT ½-13 HEX FLG NYLOC
14..	574 889501.....	1 ....	LINE, HYD, CASE-PUMP	29..	539 990052.....	2 ....	WASHER ¼ SPLT LK
15..	576 045101.....	1 ....	LINE, HYD, CHARGE				

# WHEELS AND TIRES

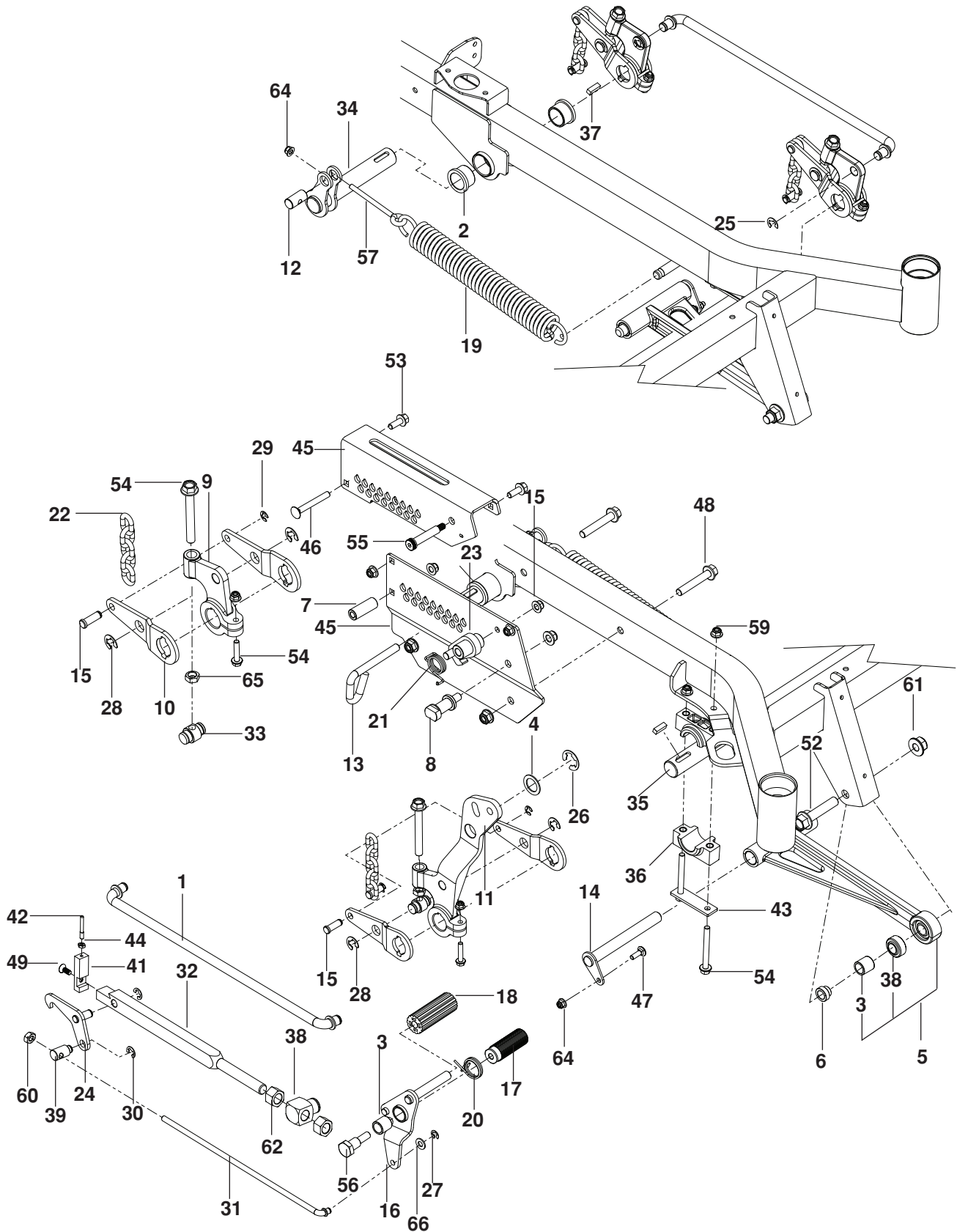


# WHEELS AND TIRES

---

ITEM	PART NO.	QTY.	DESCRIPTION	ITEM	PART NO.	QTY.	DESCRIPTION
1..	510 154601.....	2....	TIRE ASSY 13 x 6.5, FLT FREE	11..	510 034301.....	2....	SEAL, BEARING
2..	516 022901.....	2....	TIRE ASSY 26 x 12-12	12..	539 105518.....	4....	SPACER, AXLE
3..	539 107715.....	2....	TIRE 26 x 12-12	13..	539 105517.....	2....	BOLT 1/2-13 x 9 1/2 HEX NYLOC
4..	516 022902.....	2....	RIM 12 x 8.5 CENTERED	14..	522 842601.....	2....	NUT 3/4-16 HEX THIN NYLOC
5..	525 611902.....	2....	FORK, CASTER ORG	15..	521 991101.....	2....	NUT 1/2-13 HEX FLG NYLOC
6..	510 034001.....	2....	CAP, DUST	16..	574 824701.....	2....	WASHER 3/4 HARDENED
7..	539 101474.....	2....	ZERK	17..	539 990250.....	2....	WASHER 1/2 SAE
8..	539 103300.....	2....	ZERK	NOT SHOWN			
9..	539 912234.....	2....	STEM, VALVE	539 105521.....	2....	TIRE ASSY 13 x 6.5 PNEU (optional)	
10..	510 034403.....	4....	BEARING, TAPERED				

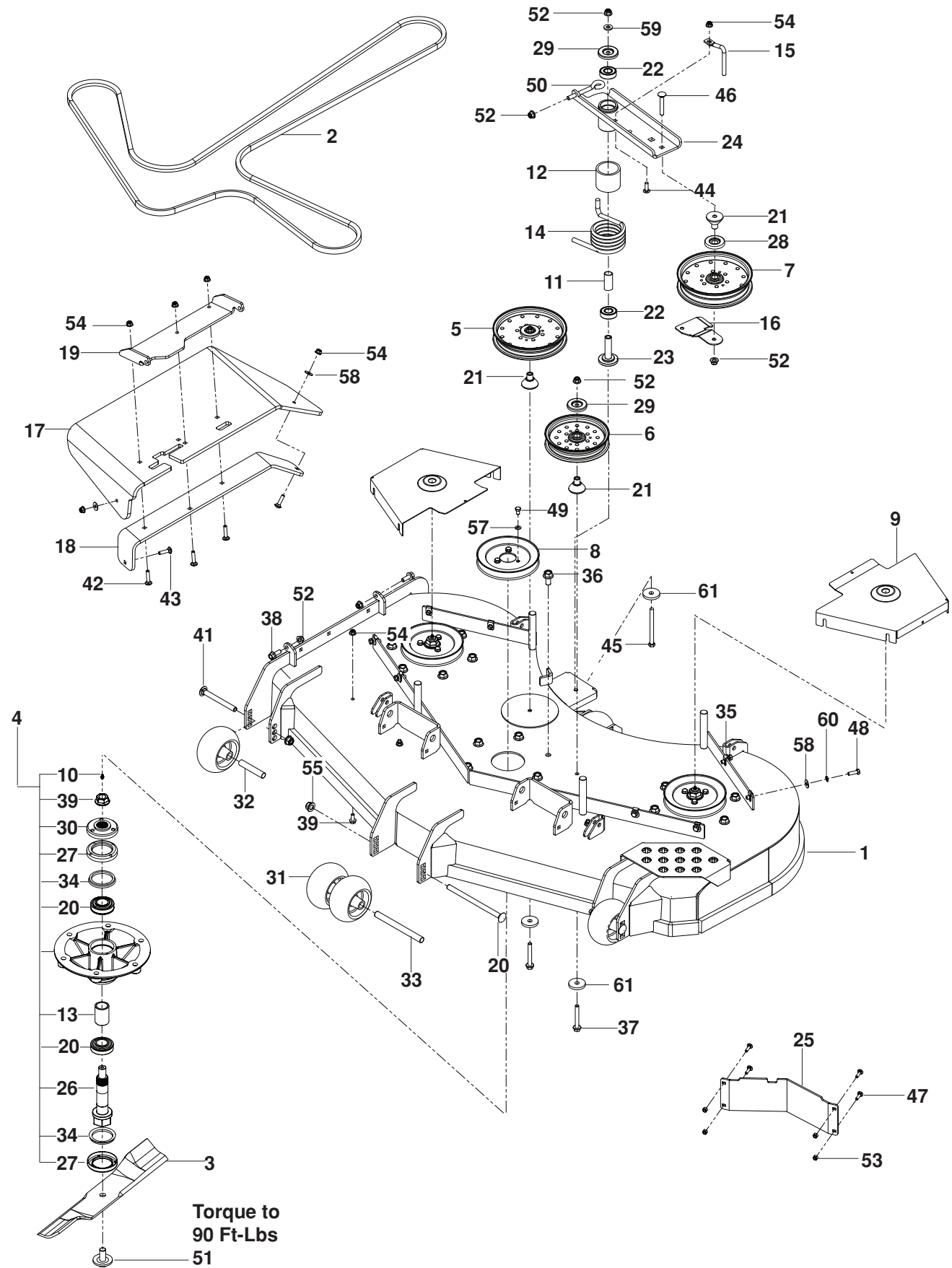
# MOWER LIFT / DECK LIFT



# MOWER LIFT / DECK LIFT

ITEM	PART NO.	QTY.	DESCRIPTION	ITEM	PART NO.	QTY.	DESCRIPTION
1..	510 089801.....	2....	ROD, LIFT	34..	510 410703.....	2....	SHAFT, LIFT RR
2..	510 089401.....	4....	BUSHING, FLANGED 1¼ ID	35..	510 409602.....	1....	SHAFT, LIFT FT
3..	510 089201.....	2....	BUSHING, SLEEVE ¾ x 1	36..	510 023902.....	4....	BLOCK, PILLOW
4..	539 916561.....	1....	BUSHING 1" x 14 GA	37..	525 822501.....	4....	KEY 5/16 SQ x 1
5..	510 106501.....	2....	STRUT ASSY	38..	510 083801.....	1....	SWIVEL ¾ BALLJOINT
6..	510 362501.....	4....	SPACER, STRUT	39..	510 407501.....	1....	SWIVEL, HEIGHT LATCH
7..	510 408401.....	1....	SPACER, HEIGHT PLATE	40..	510 406401.....	1....	SWIVEL, HEIGHT BAR
8..	510 406701.....	1....	GUIDE, HEIGHT BAR	41..	510 406501.....	1....	CAP, HEIGHT BAR
9..	510 022501.....	1....	ARM, CAST LIFT	42..	510 406601.....	1....	LINK, INDICATOR
10..	510 410002.....	4....	ARM, LIFT	43..	525 822201.....	2....	PLATE, PILLOW BLOCK
11..	510 022502.....	1....	LEVER, DECK LIFT	44..	510 408502.....	1....	PLATE, INNER HT ORG
12..	510 412301.....	2....	PIVOT, SPRING	45..	510 408602.....	1....	PLATE, OUTER HT ORG
13..	510 016501.....	1....	PIN, HEIGHT	46..	539 122728.....	1....	RHSNB ¾-16 x 3 GR2
14..	515 988201.....	2....	PIN, STRUT	47..	539 990208.....	2....	RHSNB 5/16-18 x 1
15..	510 090101.....	8....	PIN 7/16 CLEVIS	48..	525 828901.....	2....	HHFS ½-13 x 3 HEX FLG
16..	510 407801.....	1....	PEDAL, RELEASE	49..	522 705601.....	1....	HCS 5/16-18 x ¾ HEX SCKT
17..	510 408301.....	1....	PEDAL, DECK HEIGHT	50..	525 465401.....	1....	HHFS 5/16-18 x 1½ HEX FLG
18..	510 089501.....	1....	PAD, FOOT PEDAL	51..	525 822101.....	4....	HHFS ¾-16 x 3½ HEX FLG
19..	510 029201.....	2....	SPRING, EXTENSION	52..	525 829001.....	2....	HHFS 5/8-11 x 3 HEX FLG
20..	510 376701.....	1....	SPRING, TORSION	53..	525 612801.....	2....	HHFS ¾-16 x 1 HEX FLG
21..	510 376601.....	1....	SPRING, TORSION	54..	525 465701.....	4....	BOLT ½-13 x 4 HEX TPBLT
22..	539 102641.....	4....	LIFT CHAIN	55..	516 035501.....	1....	BOLT ½ x 2¼, ¾-16 SHLDR
23..	510 406801.....	1....	LATCH, TRANSPORT	56..	510 408201.....	1....	BOLT, SHOULDER
24..	510 407201.....	1....	LATCH, HEIGHT	57..	539 120993.....	2....	EYEBOLT 4½
25..	539 105069.....	4....	E-RING 5/8	58..	539 991112.....	1....	NUT ¼-20 JAM
26..	539 912730.....	1....	E-RING 1"	59..	521 996501.....	4....	NUT ¾-16 HEX FLG NYLOC
27..	539 990870.....	1....	E-RING ¾"	60..	539 108732.....	1....	NUT ¾-24 HEX JAM
28..	539 102454.....	3....	E-RING ¾"	61..	525 829101.....	2....	NUT 5/8-11 FLG NYLOC
29..	522 705201.....	4....	E-RING 7/16"	62..	539 108677.....	2....	NUT ¾-10 HEX
30..	539 101949.....	2....	E-RING ½"	63..	521 991101.....	3....	NUT ½-13 HEX FLG NYLOC
31..	510 407601.....	1....	ROD, HEIGHT LATCH	64..	539 112899.....	8....	NUT 5/16-18 HEX FLG NYLOC
32..	510 406301.....	1....	BAR, HEIGHT	65..	539 990625.....	4....	NUT ½-13 HEX JAM
33..	510 023601.....	4....	SHAFT, LIFT TRUNION	66..	539 990122.....	1....	WASHER ¾ SAE FLT

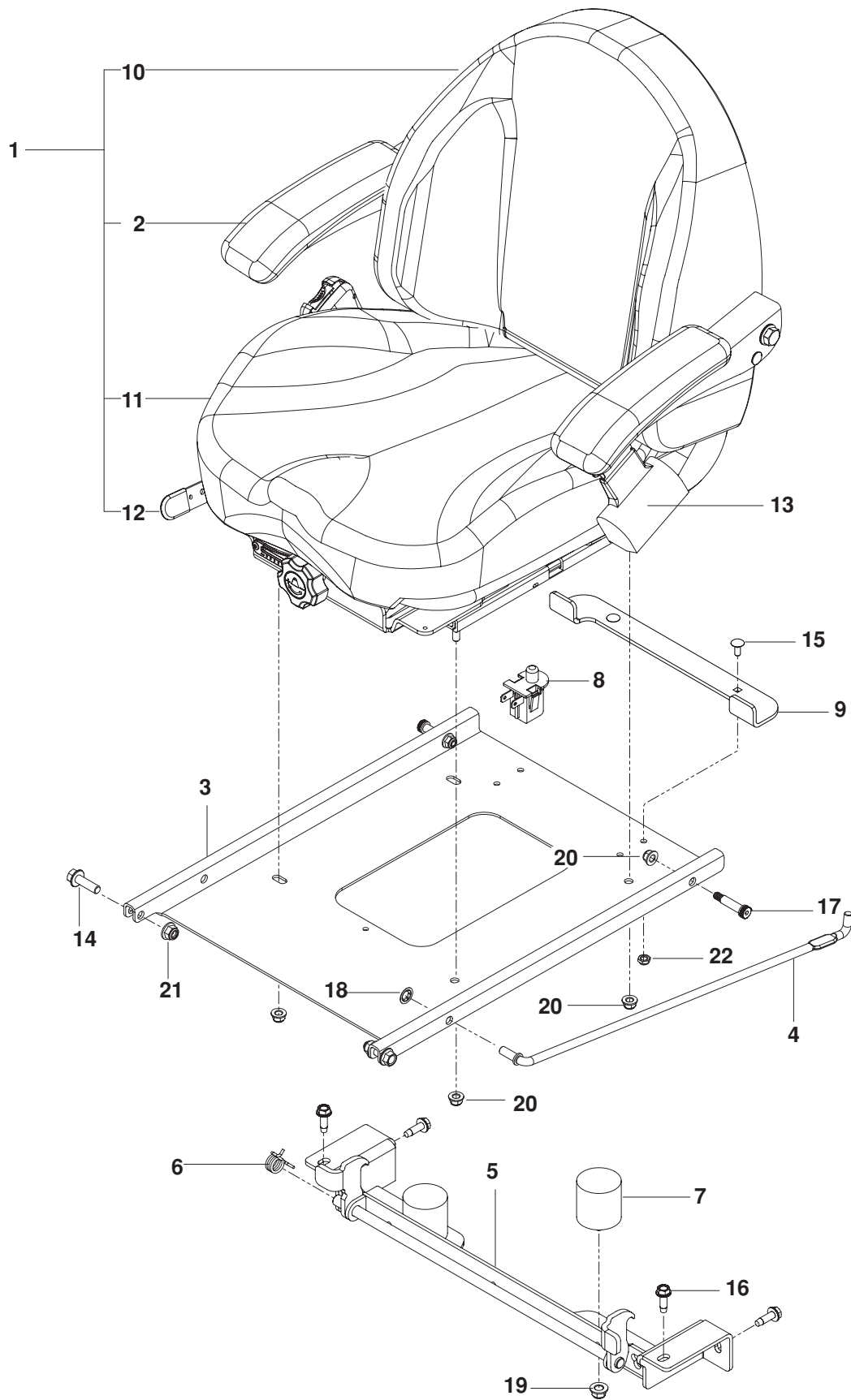
# MOWER DECK / CUTTING DECK



# MOWER DECK / CUTTING DECK

ITEM	PART NO.	QTY.	DESCRIPTION	ITEM	PART NO.	QTY.	DESCRIPTION
1..	574 497201.....	1 ....	DECK w/ SAFETY DECALS	35..	539 104763.....	8 ....	RETAINER, U TYPE
2..	522 829601.....	1 ....	BELT, DECK	36..	574 210601.....	18 ....	HHFS 1/2-13 x 1
3..	539 105711.....	3 ....	BLADE, 21"	37..	539 131781.....	2 ....	HHFS 3/8-16 x 2 3/4 HEX FLG
4..	525 836401.....	3 ....	SPINDLE ASSY	38..	525 612801.....	2 ....	HHFS 3/8-16 x 1 HEX FLG
5..	525 598201.....	1 ....	PULLEY, IDLER 7" NARROW	39..	525 464701.....	3 ....	HHFS 5/16-18 x 3/4 HEX FLG
6..	510 019601.....	1 ....	PULLEY, IDLER, 6"	40..	510 022401.....	1 ....	RHSNB 1/2-13 x 8
7..	510 015101.....	1 ....	PULLEY, IDLER 7" WIDE	41..	510 022301.....	3 ....	RHSNB 1/2-13 x 4 3/4
8..	539 130646.....	3 ....	PULLEY	42..	539 102933.....	3 ....	RHSNB 5/16-18 x 1 1/2
9..	510 131202.....	2 ....	SHIELD, BELT ORG	43..	539 100472.....	2 ....	RHSNB 5/16-18 x 1 1/4
10..	539 976998.....	3 ....	ZERK	44..	539 107271.....	1 ....	RHSSNB 5/16-18 x 1
11..	510 264201.....	1 ....	SPACER, IDLER BEARING	45..	539 101686.....	1 ....	BOLT 3/8-16 x 4 1/2 HEX GR 8
12..	525 465601.....	1 ....	SPACER, IDLER PIVOT	46..	539 128101.....	1 ....	BOLT 3/8-16 x 2 1/2 CARRIAGE
13..	539 130641.....	3 ....	SPACER	47..	539 115620.....	4 ....	BOLT 1/4-20 x 3/4 CARRIAGE
14..	525 310901.....	1 ....	SPRING, TORSION	48..	539 990209.....	8 ....	HCS 5/16-18 x 1
15..	574 262201.....	1 ....	KEEPER, BELT BLK	49..	539 130315.....	9 ....	HCS 5/16-18 x 1/2
16..	574 262102.....	1 ....	GUIDE, BELT BLK	50..	574 202001.....	1 ....	EYEBOLT 3/8 x 4
17..	525 485801.....	1 ....	CHUTE, DISCHARGE	51..	539 119007.....	3 ....	BOLT, BLADE
18..	525 486002.....	1 ....	BRACKET, CHUTE SPT BLK	52..	521 996501.....	7 ....	NUT 3/8-16 HEX FLG NYLOC
19..	574 197002.....	1 ....	BRACKET, CHUTE PIVOT	53..	539 976978.....	4 ....	NUT 1/4-20 HEX NYLOC
20..	539 130638.....	6 ....	BEARING	54..	539 112899.....	9 ....	NUT 5/16-18 HEX FLG NYLOC
21..	510 263701.....	3 ....	BEARING, IDLER ARM	55..	521 991101.....	4 ....	NUT 1/2-13 HEX FLG NYLOC
22..	539 110485.....	2 ....	BEARING	56..	539 130653.....	3 ....	NUT 3/4-16 FLG
23..	522 729701.....	1 ....	BEARING, IDLER PIVOT	57..	539 109600.....	9 ....	WASHER 5/16 DISC SPRING
24..	525 464402.....	1 ....	ARM, IDLER BLK	58..	539 990692.....	10 ....	WASHER 5/16 STD FLT
25..	510 437502.....	1 ....	BAFFLE, FLOW DIVERTER	59..	522 023401.....	1 ....	WASHER 3/8 THICK
26..	525 836001.....	3 ....	SHAFT, SPINDLE	60..	539 990187.....	8 ....	WASHER 5/16 SLW
27..	539 130643.....	6 ....	CUP, DEBRIS	61..	539 106504.....	3 ....	WASHER, HEAVY
28..	510 262201.....	1 ....	SHIELD, DUST	NOT SHOWN - OPTIONAL			
29..	510 254501.....	2 ....	SHIELD, DUST	522 829301.....	3 ....	BLADE, HIGH LIFT 21"	
30..	539 130637.....	3 ....	HUB	574 481301.....	3 ....	BLADE, LOW LIFT 21"	
31..	574 169601.....	5 ....	ROLLER, GAUGE	522 936601.....	3 ....	BLADE, GATOR 21"	
32..	574 196401.....	2 ....	TUBE, ROLLER AXLE	539 109755.....	3 ....	BLADE, WAVY REV LIFT 21"	
33..	574 196501.....	1 ....	TUBE, ROLLER AXLE LONG				
34..	539 130639.....	6 ....	V-RING				

# SEAT



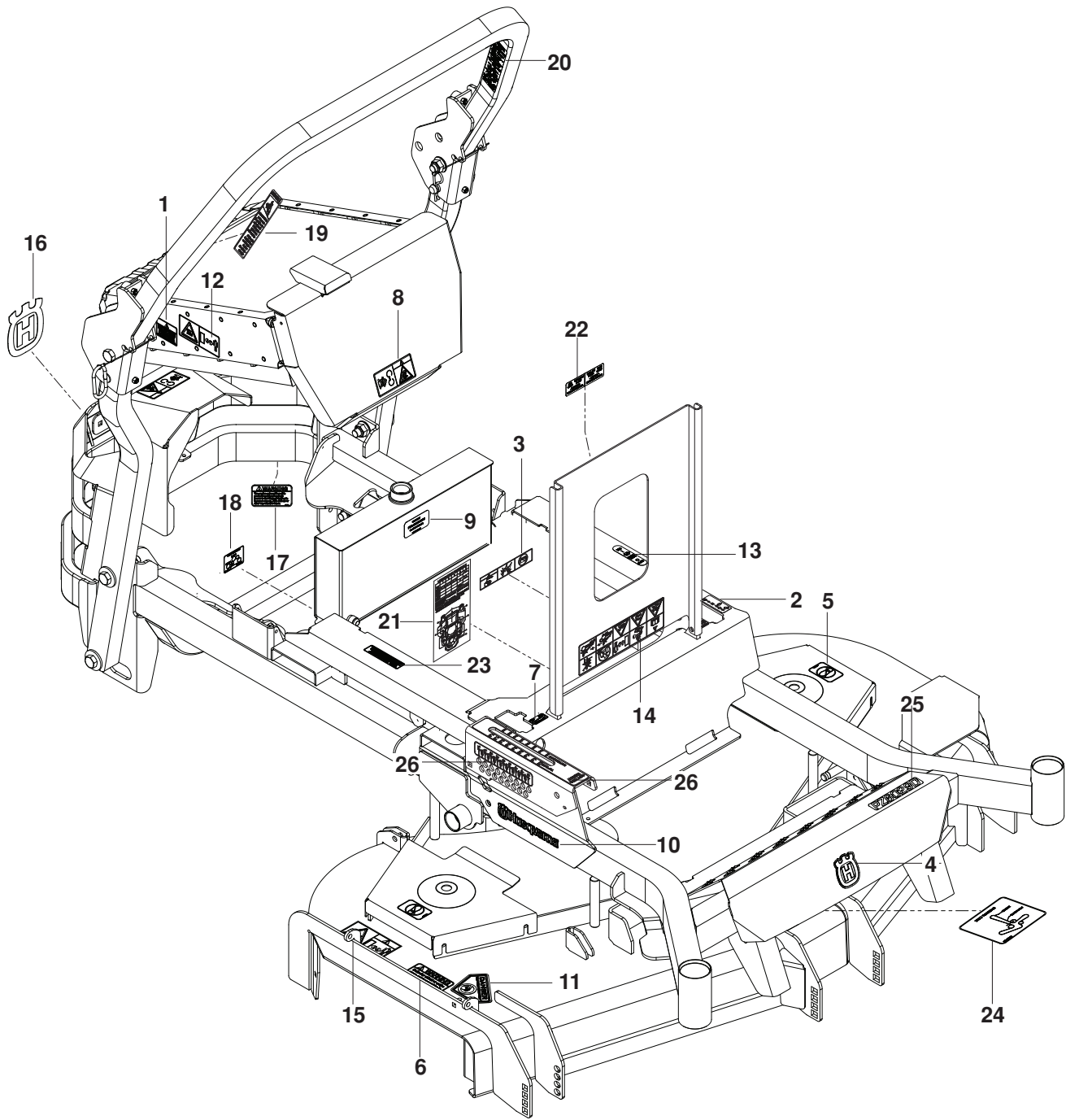


# SEAT

---

ITEM	PART NO.	QTY.	DESCRIPTION	ITEM	PART NO.	QTY.	DESCRIPTION
1..	574 284601.....	1	SEAT ASSY	12..	574 284604.....	1	TRACK KIT
2..	574 284605.....	1	ARMREST, LT	13..	539 130359.....	1	SEAT BELT
	574 284606.....	1	ARMREST, RT	14..	525 834201.....	2	HHFS $\frac{3}{8}$ -16 x 1 $\frac{1}{4}$
3..	510 039302.....	1	PAN, SEAT BLK	15..	539 111786.....	2	RHSSNB $\frac{1}{4}$ -20 x $\frac{5}{8}$
4..	510 064101.....	1	ROD, SEAT	16..	539 113226.....	4	BOLT $\frac{5}{16}$ -18 x 1 THD FRM
5..	574 182202.....	1	LATCH, SEAT	17..	515 990601.....	2	BOLT $\frac{3}{8}$ x 1 $\frac{1}{4}$ $\frac{5}{16}$ -18 SHLDR
6..	520 283101.....	1	SPRING, TORSION	18..	539 913847.....	2	NUT RETAINER $\frac{3}{8}$
7..	510 283801.....	2	BUMPER, RUBBER	19..	521 996501.....	2	NUT $\frac{3}{8}$ -16 HEX FLG NYLOC
8..	539 119741.....	1	SWITCH, SEAT	20..	539 112899.....	6	NUT $\frac{5}{16}$ -18 HEX FLG NYLOC
9..	575 321702.....	1	STOP, SEAT BLK	21..	521 996501.....	2	NUT $\frac{3}{8}$ -16 HEX FLG NYLOC
10..	574 284602.....	1	COVER, BACK	22..	539 108120.....	2	NUT $\frac{1}{4}$ -20 HEX THIN NYLOC
11..	574 284603.....	1	COVER KIT, CUSHION				

# DECALS



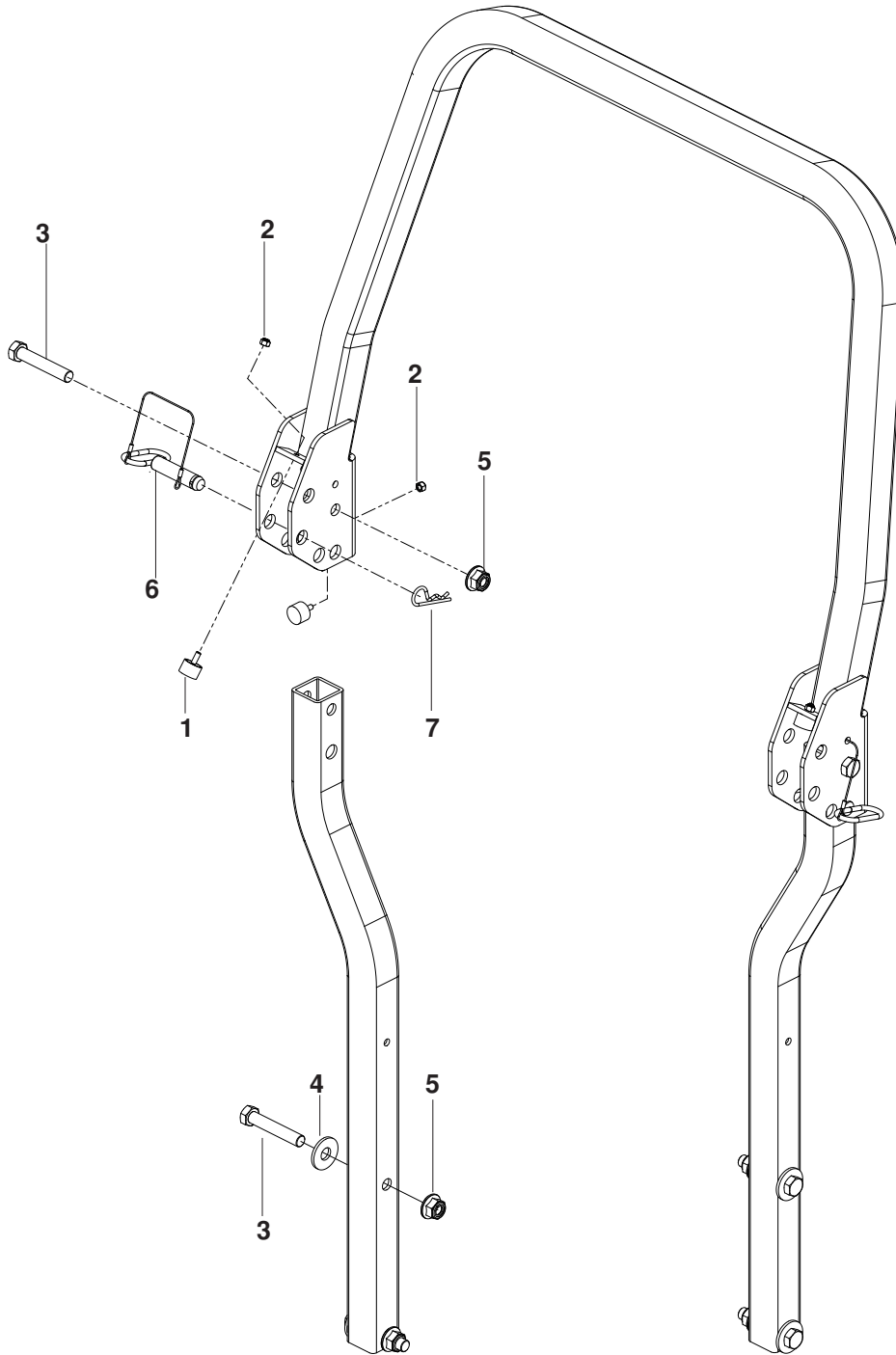
# DECALS

---

ITEM	PART NO.	QTY.	DESCRIPTION	ITEM	PART NO.	QTY.	DESCRIPTION
1..	522 860901.....	2 ....	DECAL, DEBRIS SCREEN	18..	574 483301.....	1 ....	DECAL, HYDRO BELT
2..	539 103333.....	2 ....	DECAL, MOTION CONTROL	19..	574 569002.....	1 ....	DECAL, ROPS, WARNING
3..	539 105745.....	1 ....	DECAL, BATTERY WARNING	20..	574 569003.....	1 ....	DECAL, ROPS, DIESEL
4..	532 422011.....	1 ....	DECAL, CROWN H, SM	21..	574 825902.....	1 ....	DECAL, SERVICE, DIESEL
5..	539 105743.....	2 ....	DECAL, NO STEP	22..	574 569402.....	1 ....	DECAL, FUSE, DIESEL
6..	539 113224.....	1 ....	DECAL, WARNING	23..	532 424102.....	1 ....	DECAL, SPARK ARRESTOR
7..	539 110974.....	2 ....	DECAL, TRACKING	24..	574 437301.....	1 ....	DECAL, BELT ROUTING
8..	539 105744.....	3 ....	DECAL, DANGER BELT DRIVES	25..	575 622701.....	1 ....	DECAL, PZ6029D
9..	539 114832.....	1 ....	DECAL, OIL TANK		577 421401.....	1 ....	DECAL, PZ29D
10..	532 422012.....	2 ....	DECAL, HUSQVARNA HOOD	26..	516 138101.....	1 ....	DECAL, HEIGHT
11..	539 913010.....	1 ....	DECAL, CPSC		516 138102.....	1 ....	DECAL, HEIGHT, 966554801
12..	539 108497.....	2 ....	DECAL, HOT	27..	525 349701.....	1 ....	DECAL, HEIGHT
13..	539 120006.....	1 ....	DECAL, PARK BRAKE		525 349702.....	1 ....	DECAL, HEIGHT, 966554801
14..	539 107959.....	1 ....	DECAL, WARNING	NOT SHOWN			
15..	539 105746.....	1 ....	DECAL, SEVERING		539 110279.....	1 ....	DECAL, ECM
16..	574 455001.....	1 ....	DECAL, CROWN H, LG				
17..	539 101881.....	1 ....	DECAL, EXHAUST				

# PROTECTION FRAME

---



# PROTECTION FRAME

---

ITEM	PART NO.	QTY.	DESCRIPTION
1..	522 801401.....	4....	BUMPER, MALE STUD 1/4-20
2..	539 976978.....	4....	NUT 1/4-20 HEX NYLOC
3..	539 115576.....	6....	HHB 5/8-18 x 3 1/2
4..	539 102653.....	4....	WASHER 5/8 STD FLAT

ITEM	PART NO.	QTY.	DESCRIPTION
5..	525 829101.....	6....	NUT 5/8-11 FLG NYLOC
6..	574 388001.....	2....	LATCH PIN w/ LANYARD
7..	539 200715.....	2....	PIN, HAIR