

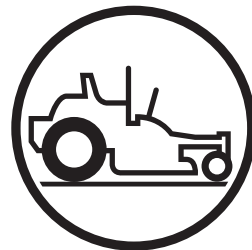
Husqvarna

PZ5426 FX / 966060901
PZ6029FX / 966061201
PZ6029PFX / 966062201
PZ6034FX ZT / 966061301

Parts Manual

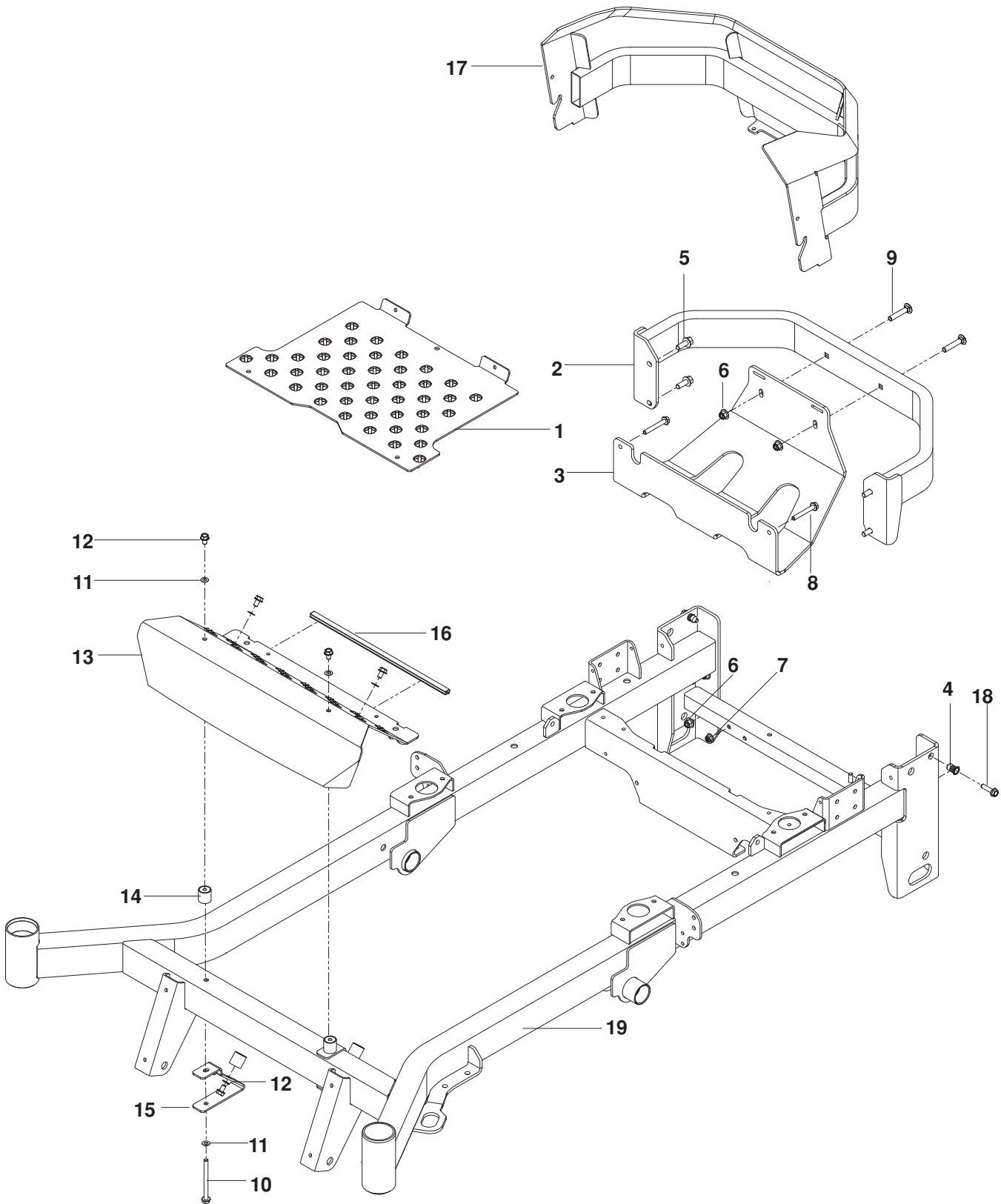
PZ6030CV / 966061101
PZ7234FX / 966061401
PZ6034FX / 966516801
PZ29FX BF / 966553801
PZ34FX BF / 966553901

Please read the operator's manual carefully and make sure you understand the instructions before using the machine.



English

FRAME

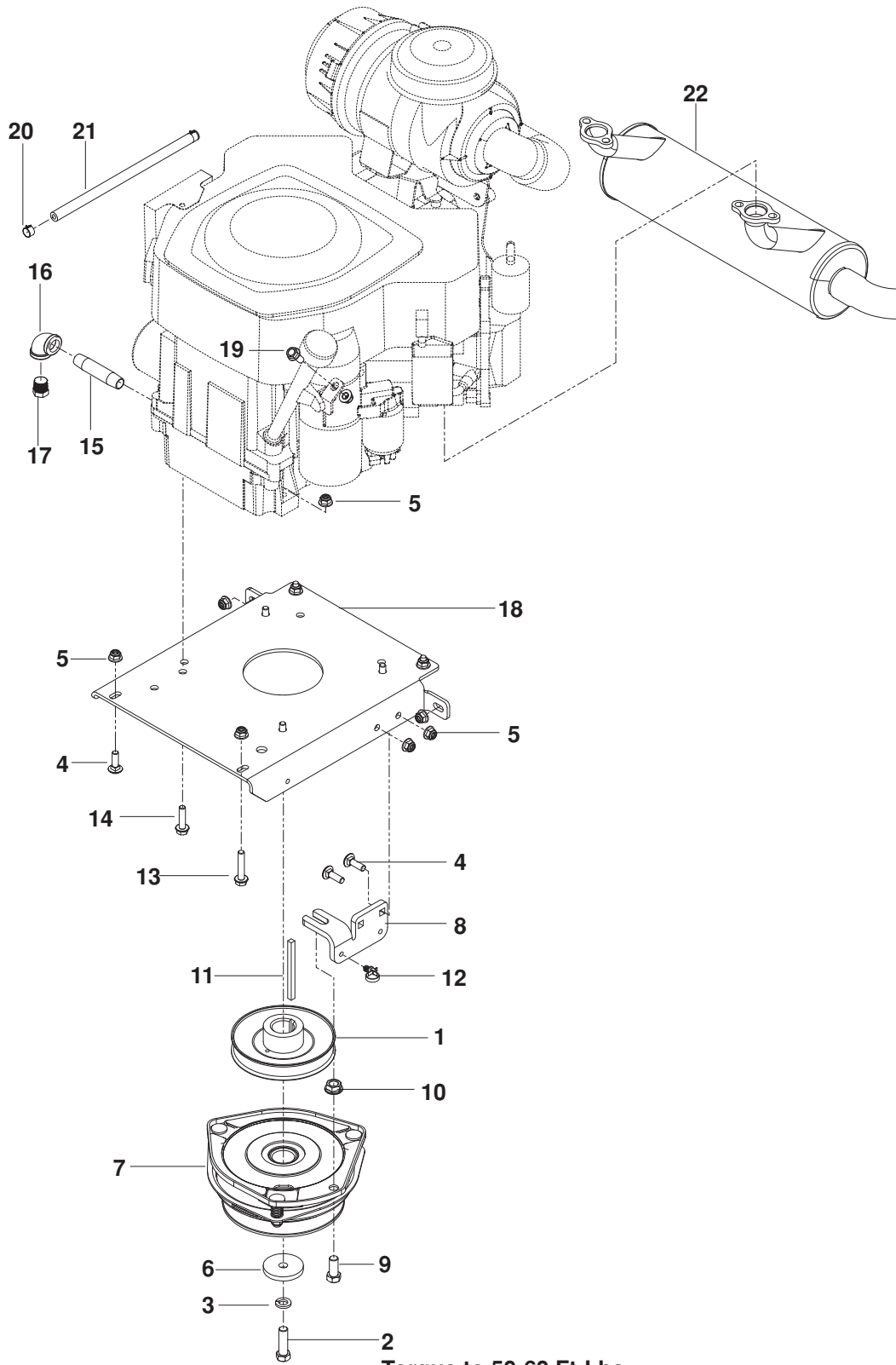


FRAME

ITEM	PART NO.	QTY.	DESCRIPTION	ITEM	PART NO.	QTY.	DESCRIPTION
1..	574 215602....	1FLOORPAN	11..	539 109600....	8 WASHER ⁵ / ₁₆ DISC SPRING
2..	522 675702....	1BUMPER, REAR	12..	539 990858....	6 SCREW ⁵ / ₁₆ -18 x 1/2 SLF TAP
3..	574 228602....	1PLATE, SKID	13..	574 215702....	1 FOOTREST
4..	539 111028....	2NUTSERT ⁵ / ₁₆ -18	14..	510 083201....	4 MOUNT, F/F INSERT
5..	525 612801....	4SCREW ³ / ₈ -16 x 1 HEX FLG	15..	510 040301....	2BRACKET, REST MOUNT
6..	521 996501....	7NUT ³ / ₈ -16 HEX FLG NYLOC	16..	539 112294....	1 FLEX TRIM
7..	539 112899....	2NUT ⁵ / ₁₆ -18 HEX FLG NYLOC	17..	574 221602....	1 GUARD, REAR
8..	574 233801....	2SCREW ⁵ / ₁₆ -18 x 2 1/4 HEX FLG	18..	525 544001....	2 SCREW ⁵ / ₁₆ -18 x 1 1/4 TPBLT
9..	539 100145....	2BOLT ³ / ₈ -16 x 2 RD HD	19..	574 482801....	1 FRAME w/ SAFETY DECALS
10..	539 131780....	2SCREW ⁵ / ₁₆ -18 x 3 3/4 HEX FLG		574 482802....	1 FRAME w/ SFTY DECALS 72"

ENGINE PLATE

966061101 ONLY



Torque to 50-60 Ft-Lbs

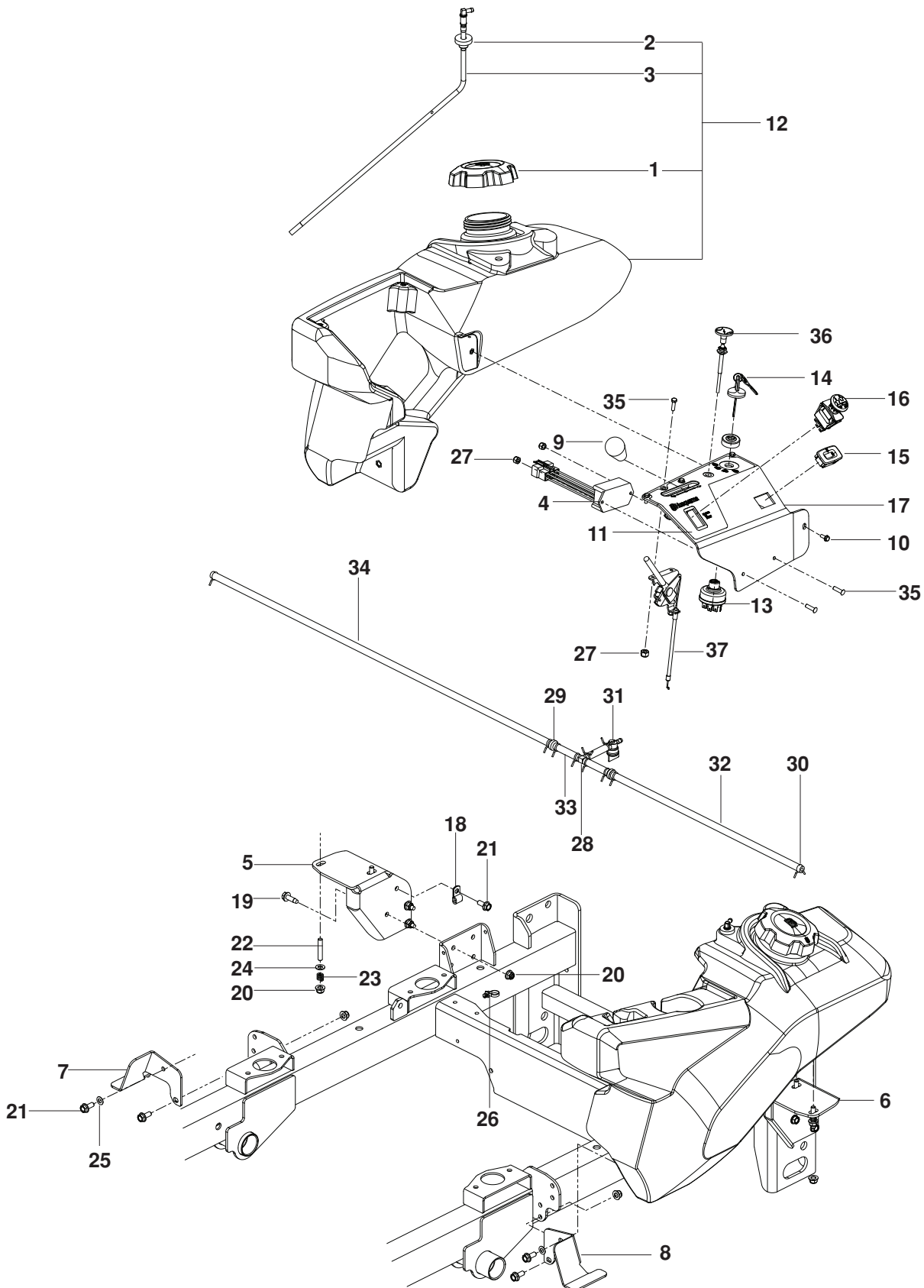
ENGINE PLATE

ITEM	PART NO.	QTY.	DESCRIPTION	ITEM	PART NO.	QTY.	DESCRIPTION
1..	510 019801....	1	PULLEY, ENGINE	14..	525 465401....	4	SCREW ⁵ / ₁₆ -18 x 1½ HEX FLG
2..	539 100141....	1	BOLT ⁷ / ₁₆ -20 x 1½ HEX NYL	15..	539 118911....	1	PIPE ³ / ₈ NPT x 3"
3..	539 990247....	1	WASHER ⁷ / ₁₆ SLW	16..	539 105072....	1	ELBOW 90°
4..	539 990208....	2	BOLT ⁵ / ₁₆ -18 x 1 RD HD	17..	522 837001....	1	PLUG, DRAIN, ³ / ₈ NPTF
5..	539 112899....	7	NUT ⁵ / ₁₆ -18 HEX FLG NYLOC	18..	510 004602....	1	PLATE, ENGINE
6..	539 125626....	1	WASHER, BLADE	19..	525 464701....	1	SCREW ⁵ / ₁₆ -18 x ³ / ₄ HEX FLG
7..	525 749501....	1	CLUTCH, GT 3.5	20..	539 912222....	2	CLAMP, HOSE
8..	522 676702....	1	STOP, CLUTCH	21..	539 110425....	1	FUEL LINE 5"
9..	539 100143....	1	BOLT ⁷ / ₁₆ -14 x 1 HEX NYLOC	22..	525 756201....	1	MUFFLER
10..	539 102582....	1	NUT ⁷ / ₁₆ -14 HEX WHIZ LK	NOT SHOWN			
11..	525 749901....	1	KEY, ¹ / ₄ SQ x 3½		522 795601....	1	ENGINE HARNESS, KOH
12..	505 280001....	1	TIE WRAP w/ CLIP		574 825801....	1	KIT, SPARK ARRESTOR
13..	574 233801....	3	SCREW ⁵ / ₁₆ -18 x 2¼ HEX FLG				

STEERING

ITEM	PART NO.	QTY.	DESCRIPTION	ITEM	PART NO.	QTY.	DESCRIPTION
1..	574 189602....	1 FRAME MOUNT	31..	525 612801....	4 SCREW $\frac{3}{8}$ -16 x 1 HEX FLG
2..	539 104763....	4 RETAINER, U TYPE	32..	539 990122....	4 WASHER $\frac{3}{8}$ SAE FLT
3..	539 113792....	1 SWITCH, BRAKE (3-POLE)	33..	539 976988....	4 HAIRPIN COTTER
4..	510 029902....	1 BRACKET, BATTERY	34..	539 102234....	1 PUSH NUT, $\frac{1}{4}$ "
5..	539 102436....	1 BATTERY	35..	539 990997....	2 WINGNUT $\frac{1}{4}$ -20 NYLOC
6..	510 030001....	1 BRACKET, BATTERY MOUNT	36..	539 990316....	4 BOLT $\frac{5}{16}$ -18 x $\frac{3}{4}$ RD HD
7..	510 064001....	2 J HOOK	37..	574 822701....	2 BOLT 10-24 x $\frac{3}{4}$ SOCKET HD
8..	574 269401....	2 LEVER, MOTION	38..	539 976977....	2 NUT 10-24 HEX NYLOC
9..	574 262701....	1 LEVER, w/ GRIP, RT	39..	539 133007....	1 WASHER, WAVE
10..	574 262702....	1 LEVER, w/ GRIP, LT	40..	516 020301....	1 DAMPENER ASSY
11..	510 113203....	2 LEVER, CONTROL	41..	539 105974....	1 RUBBER GROMMET
12..	510 082101....	4 MOUNT, ISO	42..	525 447901....	1 SEAT STRUT ASSY
13..	539 131799....	1 KNOB	43..	539 112294....	1 FLEX TRIM
14..	539 101224....	2 SPRING	44..	574 235301....	1 LOOM, SPLIT, $\frac{5}{8}$
15..	539 990196....	2 NUT $\frac{5}{16}$ -18 HEX	45..	539 130894....	2 GRIP, LEVER
16..	539 108396....	1 BOLT $\frac{5}{16}$ -18 x $2\frac{1}{2}$ HEX TPBLT	46..	539 020035....	1 SPRING
17..	539 913847....	2 RETAINER NUT $\frac{3}{8}$	47..	539 990074....	1 BOLT $\frac{1}{4}$ -20 x $\frac{3}{4}$ GR2 RD HD
18..	539 990188....	4 WASHER $\frac{5}{16}$ SAE FLAT	48..	539 108120....	2 NUT $\frac{1}{4}$ -20 HEX THIN NYLOC
19..	511 594901....	1 BUSHING, $\frac{1}{4}$ FLANGE	49..	522 718701....	1 CABLE, POSITIVE
20..	511 595001....	1 LINK, SWITCH	50..	539 102759....	2 INSULATOR
21..	539 110607....	2 BALL STUD 10MM	51..	539 990187....	2 WASHER $\frac{5}{16}$ SLW
22..	539 991034....	2 SCREW 10-24 x $\frac{5}{8}$ WSH HD	52..	539 131517....	2 BLOCK, UPPER
23..	539 109149....	1 TURNBUCKLE $\frac{3}{8}$	53..	539 131519....	2 BLOCK, LOWER
24..	525 996501....	4 NUT $\frac{3}{8}$ -16 HEX FLG NYLOC	54..	539 990669....	2 BOLT $\frac{5}{16}$ -18 x $1\frac{3}{4}$ HEX NYL
25..	539 108732....	1 NUT $\frac{3}{8}$ -24 HEX JAM	55..	539 131518....	4 BEARING, FLANGE
26..	539 112899....	25 NUT $\frac{5}{16}$ -18 HEX FLG NYLOC	56..	539 101080....	2 SWITCH N.C.
27..	539 131665....	8 BOLT $\frac{5}{16}$ -18 x $3\frac{3}{4}$ RD HD	NOT SHOWN			
28..	539 111897....	4 WASHER $\frac{3}{8}$ SPECIAL	510 093601....	1 HARNESS, MAIN WIRING	
29..	525 866201....	4 SCREW $\frac{3}{8}$ -16 x 2 HEX FLG	522 710701....	1 CABLE, NEGATIVE	
30..	525 464701....	8 SCREW $\frac{5}{16}$ -18 x $\frac{3}{4}$ HEX FLG				

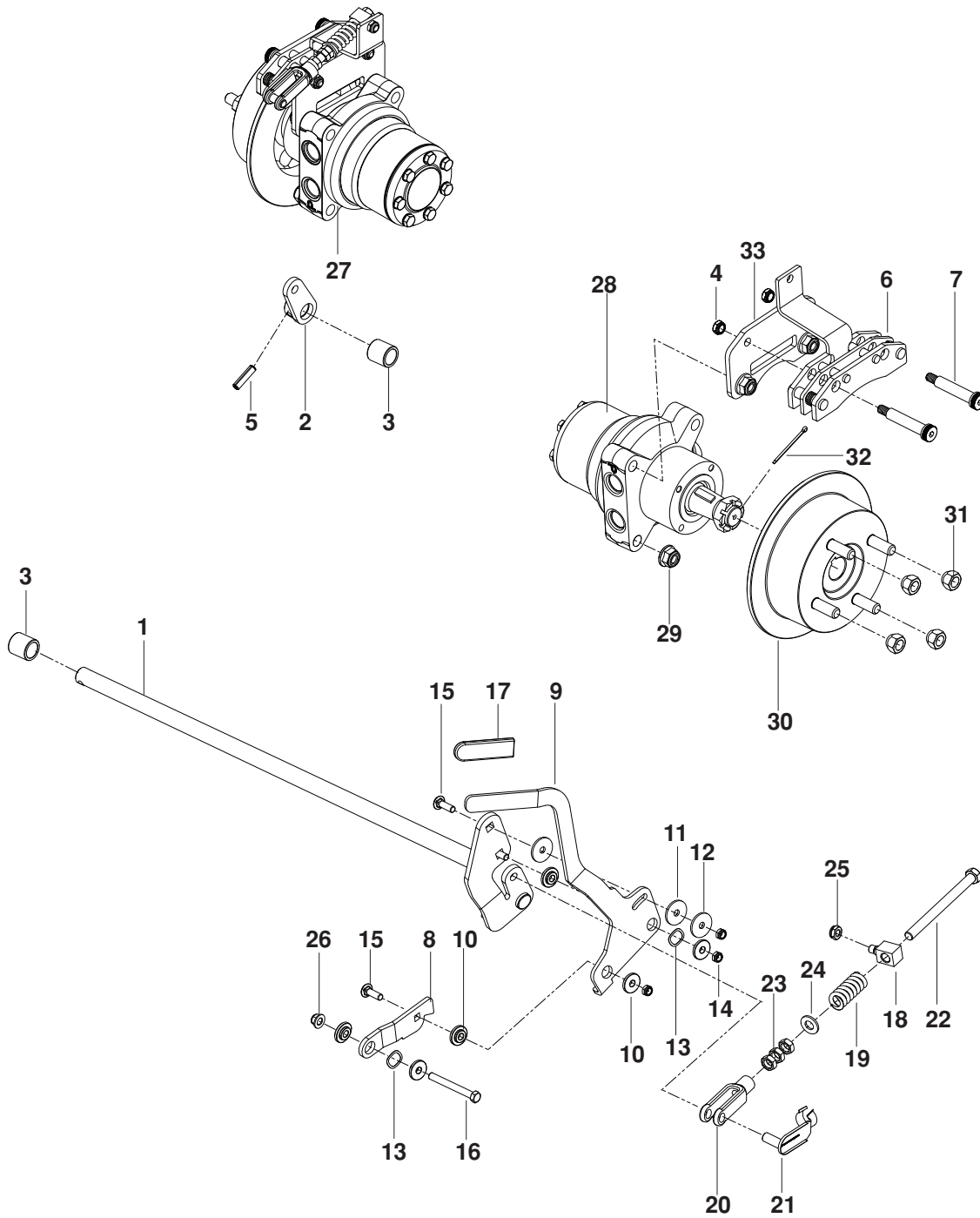
IGNITION SYSTEM



IGNITION SYSTEM

ITEM	PART NO.	QTY.	DESCRIPTION	ITEM	PART NO.	QTY.	DESCRIPTION
1..	539 130393....	2	FUEL CAP	23..	539 102845....	4	SPRING, TANK MOUNT
2..	539 105245....	2	RUBBER GROMMET	24..	539 990188....	4	WASHER 5/16 SAE FLAT
3..	525 865401....	2	FITTING, FUEL	25..	539 109600....	2	WASHER 5/16 DISC SPRING
4..	574 514001....	1	TIMER, SEAT	26..	505 280001....	2	TIE WRAP w/ CLIP
5..	529 279603....	1	TANK MOUNT, RT RR	27..	539 976977....	4	NUT 10-24 HEX NYLOC
6..	529 279703....	1	TANK MOUNT, LT RR	28..	574 206601....	1	TEE, FUEL LINE
7..	529 279902....	1	TANK MOUNT, RT FRT	29..	574 206701....	2	VALVE, CHECK
8..	529 280002....	1	TANK MOUNT, LT FRT	30..	539 912222..	10	CLAMP, FUEL LINE
9..	539 132624....	1	KNOB	31..	539 916325....	1	FUEL VALVE
10..	539 114341....	3	SCREW 10-24 x 3/8 SCK HD	32..	539 922091....	1	FUEL LINE
11..	510 246602....	1	DECAL, CONTROL, GAS	33..	505 215101....	3	FUEL LINE 2 1/2"
12..	525 811002....	1	TANK ASSY, RT	34..	539 105280....	1	FUEL LINE 35"
	525 810902....	1	TANK ASSY, LT	35..	574 822701....	4	SCREW 10-24 x 3/4 SKT HD
13..	574 455401....	1	SWITCH, IGNITION	36..	574 206901....	1	CABLE, CHOKE 966060901, 966061201 966061401
14..	574 455501....	1	KEY		574 206902....	1	CABLE, CHOKE 966061101
15..	539 110074....	1	HOUR METER	37..	574 207002....	1	CABLE, THROTTLE 966061401
16..	539 131627....	1	SWITCH, PTO 10 AMP		574 207001....	1	CABLE, THROTTLE 966060901, 966061101 966061201
17..	529 280202....	1	PANEL, CONTROL, GAS				
18..	539 109867....	1	CLAMP, DOUBLE TUBE				
19..	539 113226....	6	BOLT 5/16-18 x 1 THD FRM				
20..	539 112899..	13	NUT 5/16-18 HEX FLG NYLOC				
21..	525 464701....	5	SCREW 5/16-18 x 3/4 HEX FLG				
22..	539 102502....	4	STUD, FUEL TANK				

PARKING BRAKE

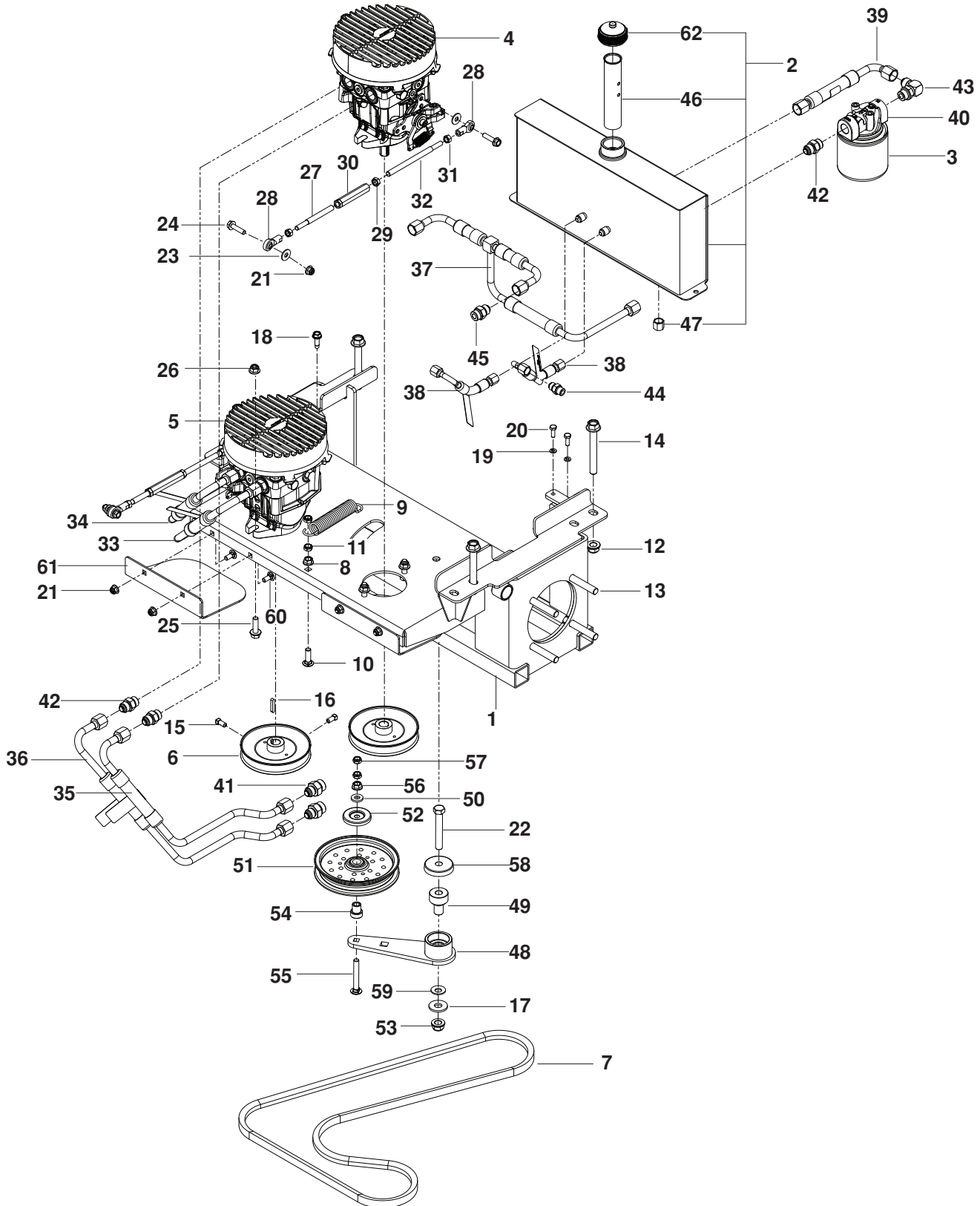


PARKING BRAKE

ITEM	PART NO.	QTY.	DESCRIPTION	ITEM	PART NO.	QTY.	DESCRIPTION
1..	525 851201....	1 SHAFT, BRAKE	20..	539 977465....	1 YOKE
2..	510 025901....	1 ARM, RT BRAKE	21..	522 705901....	1 PIN $\frac{3}{8}$ CLEVIS SPRING
3..	510 089201....	2 BUSHING, SLEEVE $\frac{3}{4}$ x 1	22..	539 104984....	1 BOLT $\frac{3}{8}$ -24 x $4\frac{1}{2}$ HEX NYL
4..	539 200282....	6 NUT $\frac{3}{8}$ -16 HEX JAM NYLOC	23..	539 108732....	3 NUT $\frac{3}{8}$ -24 HEX JAM
5..	539 110631....	1 ROLL PIN $\frac{5}{16}$ " DIA.	24..	539 990122....	1 WASHER $\frac{3}{8}$ SAE FLT
6..	539 133047....	2 CALIPER	25..	539 115617....	1 NUT $\frac{5}{16}$ -18 HEX NYLOC INS
7..	516 035501....	4 BOLT $\frac{1}{2}$ x $2\frac{1}{4}$, $\frac{3}{8}$ -16 SHLDR	26..	521 996501....	1 NUT $\frac{3}{8}$ -16 HEX FLG NYLOC
8..	515 980301....	1 LINK, FOLLOWER	27..	574 805202....	1 MOTOR, RT
9..	515 980002....	1 LEVER, BRAKE		575 224601....	1 MOTOR, RT
10..	539 132161....	6 BUSHING, BRAKE				966061101
11..	525 490901....	3 WASHER, FRICTION	28..	574 805201....	1 MOTOR, LT
12..	539 912063....	1 WASHER, CONE		539 110823....	1 MOTOR, LT
13..	539 133007....	2 WASHER, WAVE				966061101
14..	539 200282....	3 NUT $\frac{3}{8}$ -16 HEX JAM NYLOC	29..	521 991101....	8 NUT $\frac{1}{2}$ -13 HEX FLG NYLOC
15..	539 100413....	3 BOLT $\frac{3}{8}$ -16 x $1\frac{1}{4}$ RD HD	30..	525 848701....	2 HUB, DISC BRAKE, w/ STUDS
16..	539 923463....	1 BOLT $\frac{3}{8}$ -16 x $3\frac{1}{4}$ HEX NYLOC	31..	539 101173....	8 LUG NUT $\frac{1}{2}$
17..	539 976526....	1 GRIP, LEVER	32..	539 102889....	2 COTTER PIN $\frac{1}{8}$ x 2
18..	525 851401....	1 SWIVEL, BRAKE	33..	525 851601....	1 PLATE, CALIPER
19..	539 113952....	1 SPRING				

HYDRAULIC PUMP-MOTOR

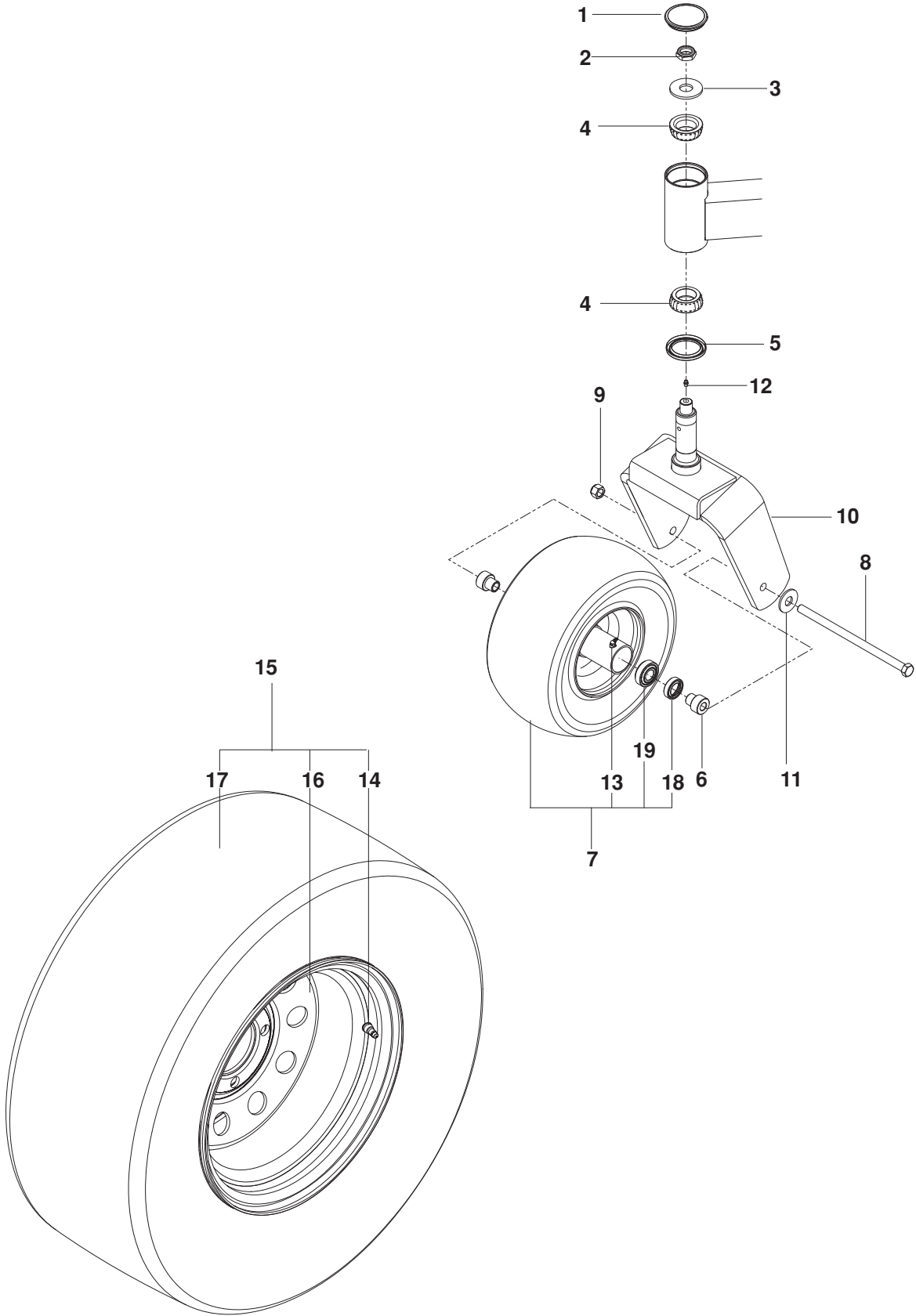
966061101



HYDRAULIC PUMP-MOTOR

ITEM	PART NO.	QTY.	DESCRIPTION	ITEM	PART NO.	QTY.	DESCRIPTION
1..	506 007902....	1 FRAME, SUB	33..	510 013601....	1 LINE, HYDRAULIC, RT-A
2..	506 120802....	1 OIL TANK ASSY	34..	510 010201....	1 LINE, HYDRAULIC, RT-B
3..	522 805401....	1 FILTER, 25 MICRON	35..	510 010301....	1 LINE, HYDRAULIC, LT-A
4..	505 351001....	1 PUMP, 12CC RT	36..	510 010401....	1 LINE, HYDRAULIC, LT-B
5..	505 351101....	1 PUMP, 12CC LT	37..	510 010501....	1 LINE, HYDRAULIC, CHARGE
6..	510 019001....	2 PULLEY, PUMP, 15MM	38..	510 010601....	1 LINE, HYDRAULIC, CASE
7..	573 978301....	1 BELT	39..	510 010701....	1 LINE, HYDRAULIC, SUCTION
8..	539 990613....	1 NUT 3/8-16 HEX WHIZLK	40..	575 872301....	1 FILTER HEAD
9..	510 254401....	1 SPRING, PUMP	41..	539 101239....	4 STRAIGHT CONNECTOR
10..	539 100413....	1 BOLT 3/8-16 x 1 1/4 RD HD	42..	539 101237....	5 STRAIGHT CONNECTOR
11..	539 200282....	6 NUT 3/8-16 HEX JAM NYLOC	43..	539 101242....	1 ELBOW 90° ADJ
12..	521 991101..	12 NUT 1/2-13 HEX FLG NYLOC	44..	539 103316....	2 CONNECTOR
13..	539 101332....	8 BOLT 1/2-13 x 2 3/4 HEX NYLOC	45..	539 131748....	2 STRAIGHT CONNECTOR
14..	525 544801....	4 BOLT 1/2-13 x 4 HEX FLG	46..	522 805001....	1 TUBE, ANTI-SPLASH
15..	539 102717....	4 SCREW 5/16-18 x 5/8 SET	47..	539 105168....	1 CAPNUT
16..	539 101177....	2 KEY, METRIC	48..	510 041603....	1 ARM, IDLER, w/ BEARINGS
17..	539 109554....	1 WASHER 1/2 FLAT	49..	510 206301....	1 PIVOT, BEARING
18..	539 113226....	2 BOLT 5/16-18 x 1 THD FRM	50..	522 023401....	1 WASHER 3/8 THICK
19..	539 990052....	2 WASHER 1/4 SPLIT LOCK	51..	510 283702....	1 IDLER PULLEY
20..	539 990072....	2 BOLT 1/4-20 x 5/8 HEX NYLOC	52..	510 254501....	1 SHIELD, DUST
21..	539 112899....	8 NUT 5/16-18 HEX FLG NYLOC	53..	521 991101....	1 NUT 1/2-13 HEX FLG NYLOC
22..	539 103433....	1 BOLT 1/2-13 x 3 1/4 HEX NYLOC	54..	525 435601....	1 PIVOT, IDLER
23..	539 990692....	4 WASHER 5/16 STD FLT	55..	539 130235....	1 BOLT 3/8-16 x 2 3/4 RD HD
24..	525 544001....	4 SCREW 5/16-18 x 1 1/4 TPBLT	56..	539 990613....	1 NUT 3/8-16 HEX WHIZLK
25..	525 834201....	4 SCREW 3/8-16 x 1 1/4 HEX FLG	57..	539 200282....	2 NUT 3/8-16 HEX JAM NYLOC
26..	521 996501....	4 NUT 3/8-16 HEX FLG NYLOC	58..	539 114662....	1 SHIELD, DUST
27..	522 559201....	1 LINKAGE, CONTROL, FT	59..	539 115528....	1 WASHER 1/2" BELLEVILLE
28..	539 102590....	2 BALL END, RT	60..	539 990316....	4 BOLT 5/16-18 x 3/4 RD HD
29..	539 108732....	1 NUT 3/8-24 HEX JAM	61..	574 398502....	2 SHIELD, PULLEY
30..	539 109149....	1 TURNBUCKLE 3/8	62..	522 805301....	1 CAP, HYDRAULIC
31..	539 990223....	2 NUT 5/16-24 HEX	NOT SHOWN			
32..	522 842801....	1 LINKAGE, CONTROL, RR	539 104763....	2 RETAINER, U TYPE	

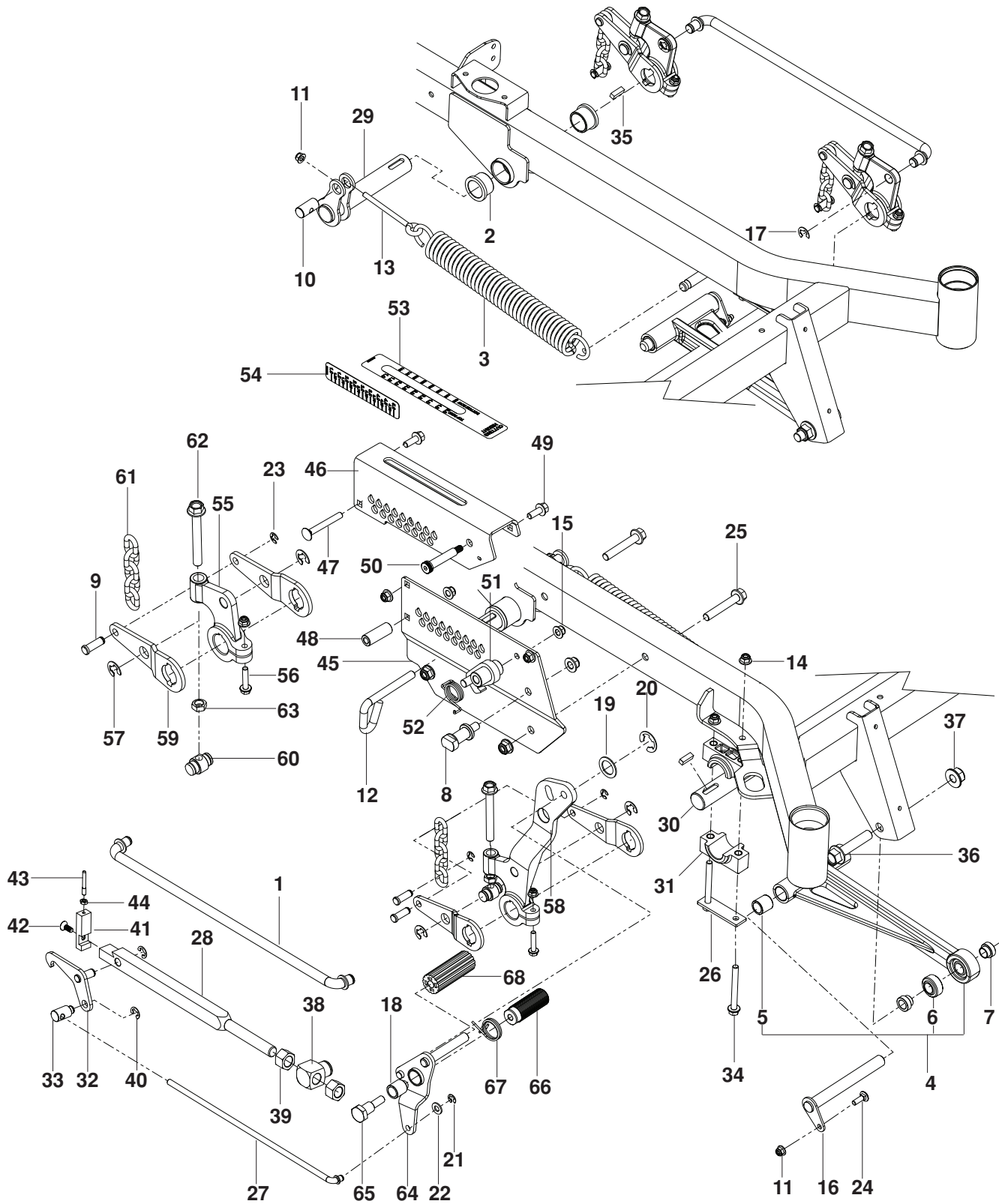
WHEELS AND TIRES



WHEELS AND TIRES

ITEM	PART NO.	QTY.	DESCRIPTION	ITEM	PART NO.	QTY.	DESCRIPTION
1..	510 034001....	2	CAP, DUST	16..	522 905102....	2	RIM 12 x 1.125 NEG OFFSET 966060901, 966553801
2..	522 842601....	2	NUT 3/4-16 HEX THIN NYLOC		510 154502....	2	RIM 12 x 1.75 NEG OFFSET 966061101, 966061201, 966062201, 966516801, 966061301, 966553901
3..	574 824701....	2	WASHER 3/4 HARDENED		539 105487....	2	RIM 12 x 2.5 NEG OFFSET 966061401
4..	510 034401....	4	BEARING, TAPERED	17..	539 107431....	2	TIRE 23 x 10.5 TURF MASTER 966060901, 966553801
5..	510 034301....	2	SEAL, BEARING		539 105152....	2	TIRE 24 x 12 4 PLY 966061101, 966061201, 966062201, 966061401 966516801, 966061301 966553901
6..	539 105518....	4	AXLE SPACER	18..	539 105524....	2	SEAL, CASTER TIRE
7..	510 154610....	2	TIRE ASSY 13 x 6.5, FLT FREE	19..	539 105525....	2	BEARING (CUP AND CONE)
8..	539 105517....	2	BOLT 1/2-13 x 9 1/2 HEX NYLOC		NOT SHOWN		
9..	521 991101....	2	NUT 1/2-13 HEX FLG NYLOC		539 105521....	2	TIRE ASSY 13 x 6.5 PNEU (optional)
10..	525 611902....	2	FORK, CASTER				
11..	539 990250....	2	WASHER 1/2 SAE				
12..	539 101474....	2	ZERK				
13..	539 103300....	2	ZERK				
14..	539 912234....	2	STEM, VALVE				
15..	522 905101....	2	TIRE ASSY 23 x 10.5 966060901, 966883801				
	510 154501....	2	TIRE ASSY 24 x 12 966061101, 966061201, 966062201, 966516801, 966061301, 966553901				
	539 105486....	2	TIRE ASSY 24 x 12 966061401				

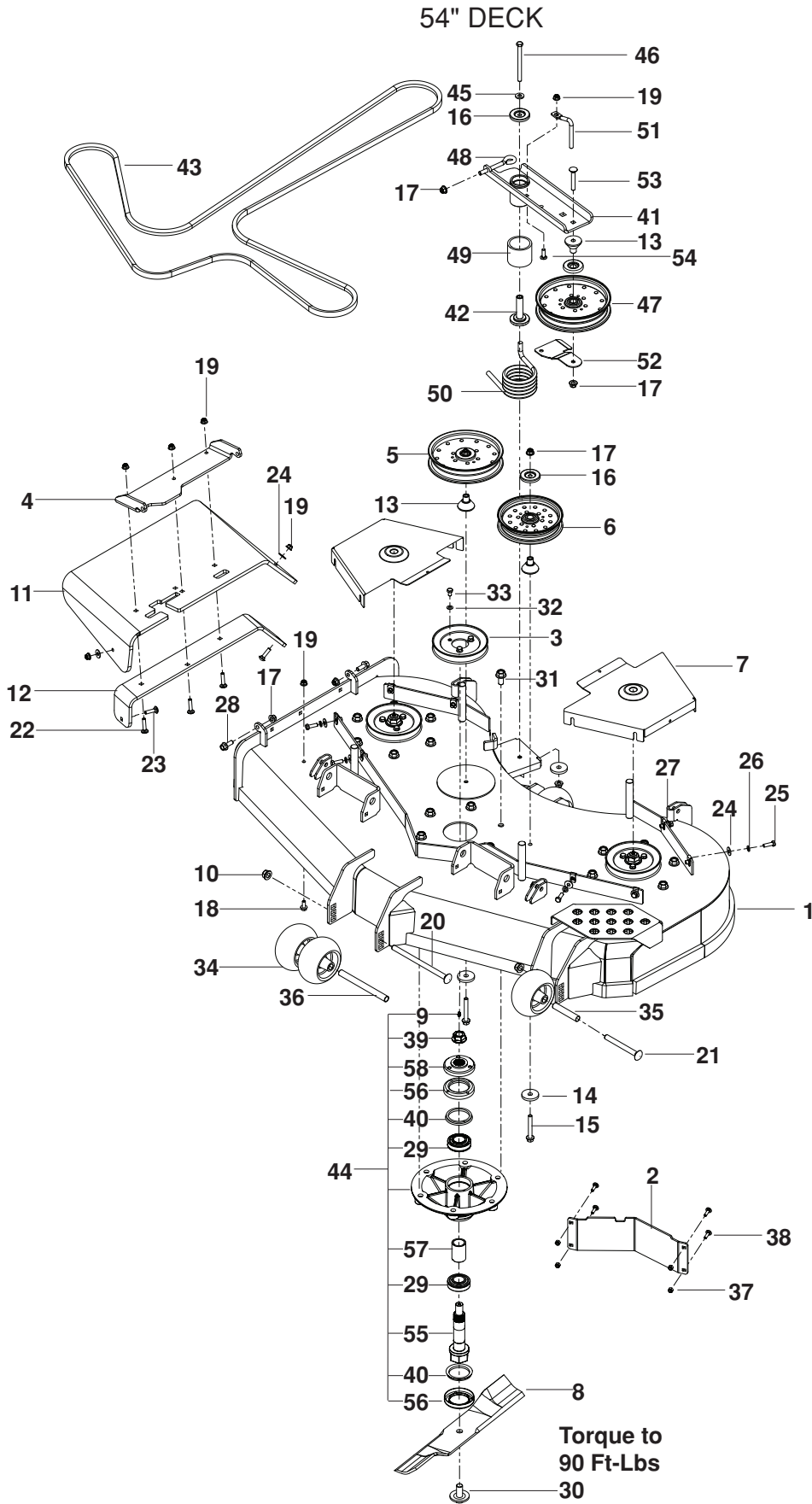
MOWER LIFT / DECK LIFT



MOWER LIFT / DECK LIFT

ITEM	PART NO.	QTY.	DESCRIPTION	ITEM	PART NO.	QTY.	DESCRIPTION
1..	510 089801....2	ROD, LIFT	35..	525 822501....4	KEY $\frac{5}{16}$ SQ x 1
2..	510 089401....4	BUSHING, FLANGED 1 $\frac{1}{4}$ ID	36..	525 829001....2	SCREW $\frac{5}{8}$ -11 x 3 HEX FLG
3..	510 029201....2	SPRING, EXTENSION	37..	525 829101....2	NUT $\frac{5}{8}$ -11 FLG NYLOC
4..	510 106501....2	STRUT ASSY	38..	510 406401....1	SWIVEL, HEIGHT BAR
5..	510 089201....2	BUSHING, SLEEVE $\frac{3}{4}$ x 1	39..	539 108677....2	NUT $\frac{3}{4}$ -10 HEX
6..	510 083801....1	BALLJOINT $\frac{3}{4}$ SWIVEL	40..	539 101949....2	E-RING $\frac{1}{2}$ "
7..	510 362501....4	SPACER, STRUT	41..	510 406501....1	CAP, HEIGHT BAR
8..	510 406701....1	GUIDE, HEIGHT BAR	42..	522 705601....1	SCREW $\frac{5}{16}$ -18 x $\frac{3}{4}$ HEX SCKT
9..	510 090101....8	PIN, $\frac{7}{16}$ CLEVIS	43..	510 406601....1	LINK, INDICATOR
10..	510 412301....2	PIVOT, SPRING	44..	539 991112....1	NUT $\frac{1}{4}$ -20 JAM
11..	539 112899....8	NUT $\frac{5}{16}$ -18 HEX FLG NYLOC	45..	510 408502....1	PLATE, INNER HEIGHT
12..	510 016501....1	PIN, HEIGHT	46..	510 408602....1	PLATE, OUTER HEIGHT
13..	539 120993....2	EYEBOLT 4 $\frac{1}{2}$	47..	539 122728....1	BOLT $\frac{3}{8}$ -16 x 3 RD HD GR2
14..	521 996501....4	NUT $\frac{3}{8}$ -16 HEX FLG NYLOC	48..	510 408401....1	SPACER, HEIGHT PLATE
15..	521 991101....3	NUT $\frac{1}{2}$ -13 HEX FLG NYLOC	49..	525 612801....2	SCREW $\frac{3}{8}$ -16 x 1 HEX FLG
16..	515 988201....2	PIN, STRUT	50..	516 035501....1	BOLT $\frac{1}{2}$ x 2 $\frac{1}{4}$, $\frac{3}{8}$ -16 SHLDR
17..	539 105069....4	E-RING $\frac{5}{8}$	51..	510 406801....1	LATCH, TRANSPORT
18..	510 089201....1	BUSHING, SLEEVE $\frac{3}{4}$ x 1	52..	510 376601....1	SPRING, TORSION
19..	539 916561....1	BUSHING 1" x 14 GA	53..	516 038101....1	DECAL, HEIGHT
20..	539 912730....1	E-RING 1"	54..	525 349701....1	DECAL, HEIGHT
21..	539 990870....1	E- RING $\frac{3}{8}$ "	55..	510 022501....1	ARM, CAST LIFT
22..	539 990122....1	WASHER, $\frac{3}{8}$ SAE FLT	56..	525 465401....1	SCREW $\frac{5}{16}$ -18 x 1 $\frac{1}{2}$ HEX FLG
23..	522 705201....4	E-RING $\frac{7}{16}$ "	57..	539 102454....3	E-RING $\frac{3}{4}$ "
24..	539 990208....2	BOLT $\frac{5}{16}$ -18 x 1 RD HD	58..	510 022502....1	LEVER, DECK LIFT
25..	525 828901....2	BOLT $\frac{1}{2}$ -13 x 3 HEX FLG	59..	510 410002....4	ARM, LIFT
26..	525 822201....2	PLATE, PILLOW BLOCK	60..	510 023601....4	SHAFT, LIFT TRUNION
27..	510 407601....1	ROD, HEIGHT LATCH	61..	539 102641....4	LIFT CHAIN
28..	510 406301....1	BAR, HEIGHT	62..	525 465701....4	BOLT $\frac{1}{2}$ -13 x 4 HEX TPBLT
29..	510 410703....2	SHAFT, RR LIFT	63..	539 990625....4	NUT $\frac{1}{2}$ -13 HEX JAM
30..	510 409602....1	SHAFT, LIFT, FT	64..	510 407801....1	PEDAL, RELEASE
31..	510 023902....4	BLOCK, PILLOW	65..	510 408201....1	BOLT, SHOULDER
32..	510 407201....1	LATCH, HEIGHT	66..	510 089501....1	PAD, FOOT PEDAL
33..	510 407501....1	SWIVEL, HEIGHT LATCH	67..	510 376701....1	SPRING, TORSION
34..	525 822101....4	SCREW $\frac{3}{8}$ -16 x 3 $\frac{1}{2}$ HEX FLG	68..	510 408301....1	PEDAL, DECK HEIGHT

MOWING DECK / CUTTING DECK

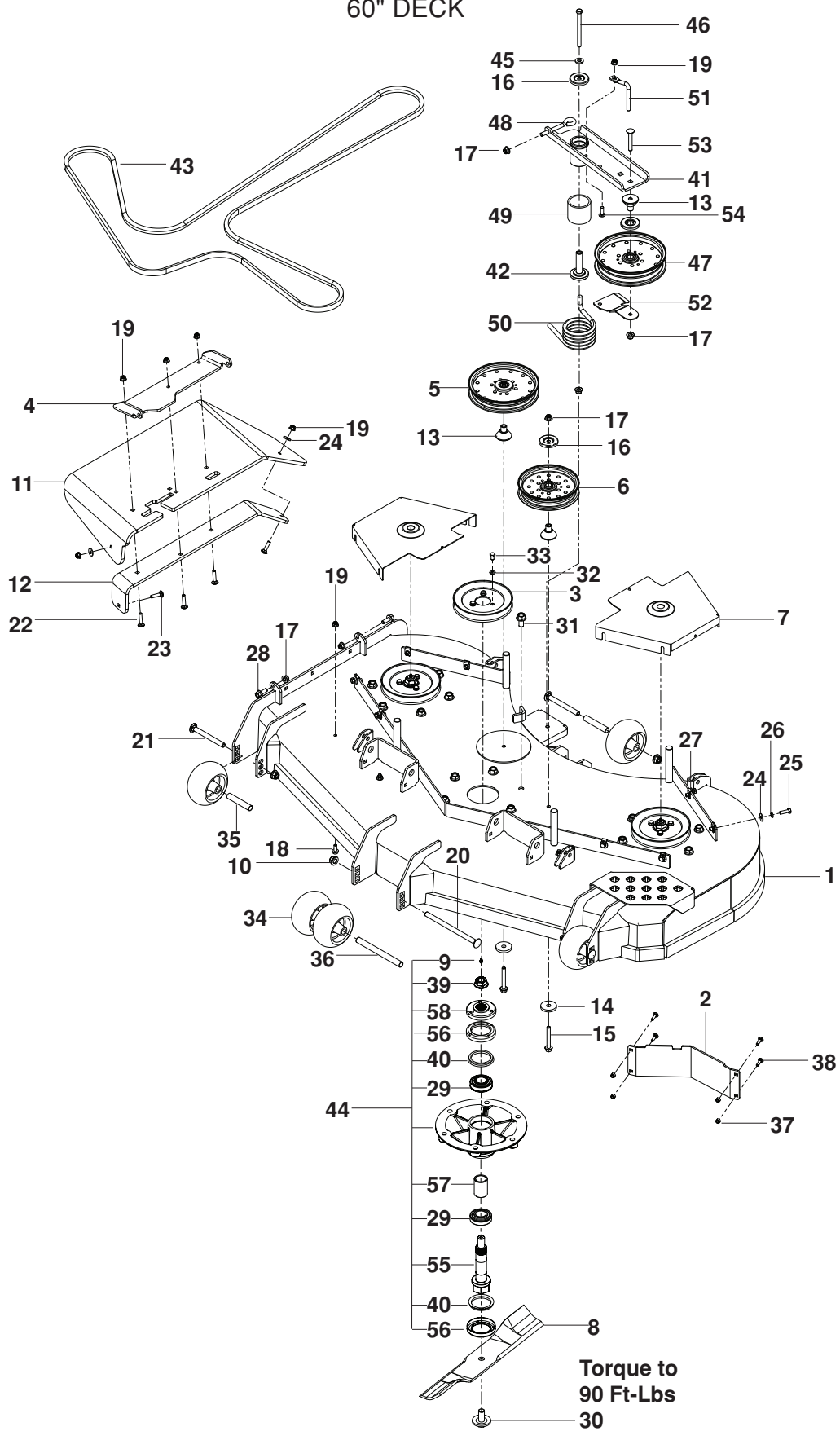


MOWING DECK / CUTTING DECK

ITEM	PART NO.	QTY.	DESCRIPTION	ITEM	PART NO.	QTY.	DESCRIPTION
1..	574 497101....	1 DECK w/ SAFETY DECALS	33..	539 130315....	9 BOLT 5/16-18 x 1/2 HEX NYLOC
2..	510 437502....	1 BAFFLE, FLOW DIVERTER	34..	574 169601....	4 ROLLER, GAUGE
3..	521 979701....	3 PULLEY	35..	574 196401....	2 TUBE, ROLLER AXLE
4..	574 197002....	1 BRACKET, CHUTE PIVOT	36..	574 196501....	1 TUBE, ROLLER AXLE LONG
5..	525 598201....	1 PULLEY, IDLER 7" NARROW	37..	539 976978....	4 NUT 1/4-20 HEX NYLOC
6..	510 019601....	1 PULLEY, IDLER 6"	38..	539 115620....	4 BOLT 1/4-20 x 3/4 CARRIAGE
7..	510 131202....	2 SHIELD, BELT	39..	539 130653....	3 NUT 3/4-16 FLG
8..	575 265901....	3 BLADE, 19"	40..	539 130639....	6 V-RING
9..	539 976998....	3 ZERK	41..	574 722201....	1 ARM, IDLER w/ BRGS, SPACR
10..	521 991101....	3 NUT 1/2-13 HEX FLG NYLOC	42..	522 729701....	1 BEARING, IDLER PIVOT
11..	525 485801....	1 CHUTE, DISCHARGE	43..	574 285901....	1 BELT, DECK
12..	525 486002....	1 BRACKET, CHUTE SUPPORT	44..	525 836401....	3 SPINDLE ASSY
13..	510 263701....	3 BEARING, IDLER ARM	45..	522 023401....	1 WASHER 3/8 THICK
14..	539 106504....	3 WASHER, HEAVY	46..	539 101686....	1 BOLT 3/8-16 x 4 1/2 HEX GR 8
15..	539 131781....	2 SCREW 3/8-16 x 2 3/4 HEX FLG	47..	510 015101....	1 PULLEY, IDLER 7" WIDE
16..	510 254501....	3 SHIELD, DUST	48..	574 202001....	1 EYEBOLT 3/8 x 4
17..	521 996501....	4 NUT 3/8-16 HEX FLG NYLOC	49..	525 465601....	1 SPACER, IDLER PIVOT
18..	525 464701....	3 SCREW 5/16-18 x 3/4 HEX FLG	50..	525 310901....	1 SPRING, TORSION
19..	539 112899....	9 NUT 5/16-18 HEX FLG NYLOC	51..	574 262201....	1 KEEPER, BELT
20..	510 022401....	1 BOLT 1/2-13 x 8 RD HD	52..	574 262102....	1 GUIDE, BELT
21..	510 022301....	2 BOLT 1/2-13 x 4 3/4 RD HD	53..	539 128101....	1 BOLT 3/8-16 x 2 1/2 CARRIAGE
22..	539 102933....	3 BOLT 5/16-18 x 1 1/2 RD HD	54..	539 107271....	1 BOLT 5/16-18 x 1 RD HD
23..	539 100472....	2 BOLT 5/16-18 x 1 1/4 RD HD	55..	525 836001....	3 SHAFT, SPINDLE
24..	539 990692....	10 WASHER 5/16 STD FLT	56..	539 130643....	6 CUP, DEBRIS
25..	539 990209....	8 BOLT 5/16-18 x 1 HEX HD	57..	539 130641....	3 SPACER
26..	539 990187....	8 WASHER 5/16 SLW	58..	539 130637....	3 HUB
27..	539 104763....	8 RETAINER, U TYPE	NOT SHOWN - OPTIONAL			
28..	525 612801....	2 SCREW 3/8-16 x 1 HEX FLG	525 307001....	3 BLADE, HIGH LIFT 19"	
29..	539 130638....	6 BEARING	574 481101....	3 BLADE, LOW LIFT 19"	
30..	539 119007....	3 BLADE BOLT	525 525901....	3 BLADE, GATOR 19"	
31..	574 210601..	18 SCREW 1/2-13 x 1 HEX FLG	574 486901....	3 BLADE, WAVY REV LIFT 19"	
32..	539 109600....	9 WASHER 5/16 DISC SPRING				

MOWING DECK / CUTTING DECK

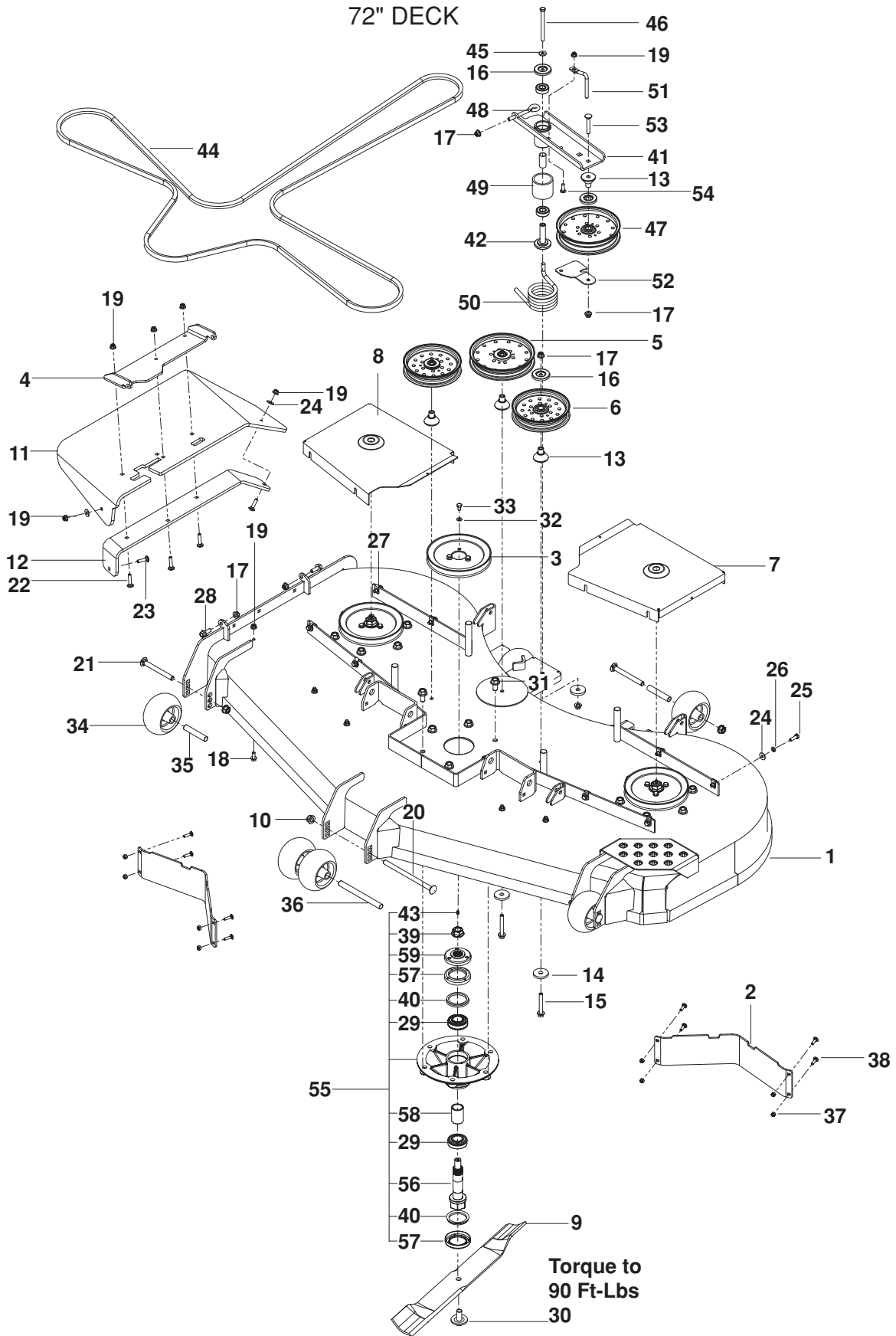
60" DECK



MOWING DECK / CUTTING DECK

ITEM	PART NO.	QTY.	DESCRIPTION	ITEM	PART NO.	QTY.	DESCRIPTION
1..	574 497201....	1 DECK w/ SAFETY DECALS	33..	539 130315....	9 BOLT 5/16-18 x 1/2 HEX NYLOC
2..	510 437502....	1 BAFFLE, FLOW DIVERTER	34..	574 169601....	5 ROLLER, GAUGE
3..	539 130646....	3 PULLEY	35..	574 196401....	2 TUBE, ROLLER AXLE
4..	574 197002....	1 BRACKET, CHUTE PIVOT	36..	574 196501....	1 TUBE, ROLLER AXLE LONG
5..	525 598201....	1 PULLEY, IDLER 7" NARROW	37..	539 976978....	4 NUT 1/4-20 HEX NYLOC
6..	510 019601....	1 PULLEY, IDLER, 6"	38..	539 115620....	4 BOLT 1/4-20 x 3/4 CARRIAGE
7..	510 131202....	2 SHIELD, BELT	39..	539 130653....	3 NUT 3/4-16 FLG
8..	539 105711....	3 BLADE, 21"	40..	539 130639....	6 V-RING
9..	539 976998....	3 ZERK	41..	574 722201....	1 ARM, IDLER w/ BRGS, SPACR
10..	521 991101....	4 NUT 1/2-13 HEX FLG NYLOC	42..	522 729701....	1 BEARING, IDLER PIVOT
11..	525 485801....	1 CHUTE, DISCHARGE	43..	522 829601....	1 BELT, DECK
12..	525 486002....	1 BRACKET, CHUTE SUPPORT	44..	525 836401....	3 SPINDLE ASSY
13..	510 263701....	3 BEARING, IDLER ARM	45..	522 023401....	1 WASHER 3/8 THICK
14..	539 106504....	3 WASHER, HEAVY	46..	539 101686....	1 BOLT 3/8-16 x 4 1/2 HEX GR 8
15..	539 131781....	2 SCREW 3/8-16 x 2 3/4 HEX FLG	47..	510 015101....	1 PULLEY, IDLER 7" WIDE
16..	510 254501....	3 SHIELD, DUST	48..	574 202001....	1 EYEBOLT 3/8 x 4
17..	521 996501....	4 NUT 3/8-16 HEX FLG NYLOC	49..	525 465601....	1 SPACER, IDLER PIVOT
18..	525 464701....	3 SCREW 5/16-18 x 3/4 HEX FLG	50..	525 310901....	1 SPRING, TORSION
19..	539 112899....	9 NUT 5/16-18 HEX FLG NYLOC	51..	574 262201....	1 KEEPER, BELT
20..	510 022401....	1 BOLT 1/2-13 x 8 RD HD	52..	574 262102....	1 GUIDE, BELT
21..	510 022301....	3 BOLT 1/2-13 x 4 3/4 RD HD	53..	539 128101....	1 BOLT 3/8-16 x 2 1/2 CARRIAGE
22..	539 102933....	3 BOLT 5/16-18 x 1 1/2 RD HD	54..	539 107271....	1 BOLT 5/16-18 x 1 RD HD
23..	539 100472....	2 BOLT 5/16-18 x 1 1/4 RD HD	55..	525 836001....	3 SHAFT, SPINDLE
24..	539 990692....	10 WASHER 5/16 STD FLT	56..	539 130643....	6 CUP, DEBRIS
25..	539 990209....	8 BOLT 5/16-18 x 1 HEX HD	57..	539 130641....	3 SPACER
26..	539 990187....	8 WASHER 5/16 SLW	58..	539 130637....	3 HUB
27..	539 104763....	8 RETAINER, U TYPE	NOT SHOWN - OPTIONAL			
28..	525 612801....	2 SCREW 3/8-16 x 1 HEX FLG	522 829301....	3 BLADE, HIGH LIFT 21"	
29..	539 130638....	6 BEARING	574 481301....	3 BLADE, LOW LIFT 21"	
30..	539 119007....	3 BLADE BOLT	522 936601....	3 BLADE, GATOR 21"	
31..	574 210601..	18 SCREW 1/2-13 x 1 HEX FLG	539 109755....	3 BLADE, WAVY REV LIFT 21"	
32..	539 109600....	9 WASHER 5/16 DISC SPRING				

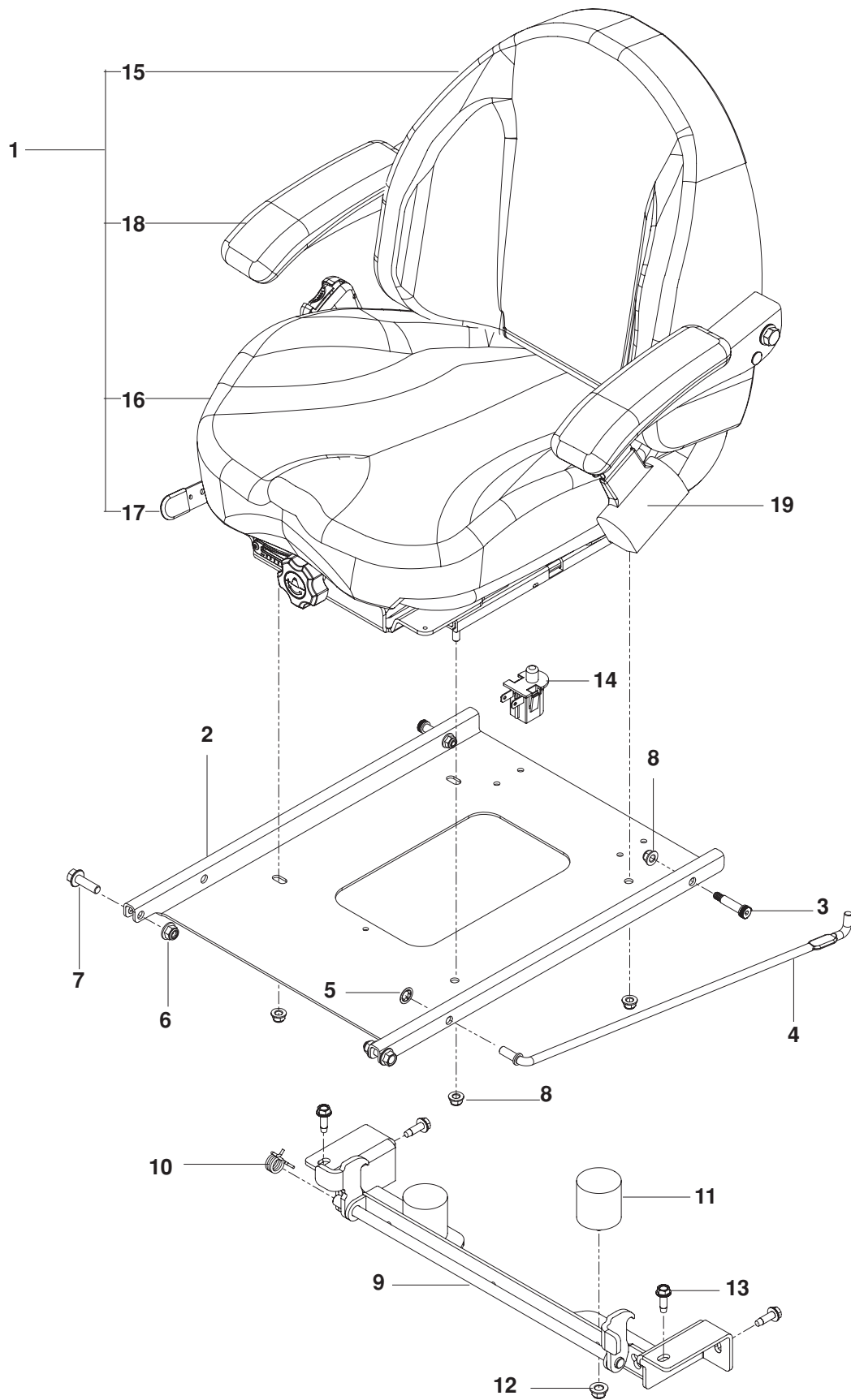
MOWING DECK / CUTTING DECK



MOWING DECK / CUTTING DECK

ITEM	PART NO.	QTY.	DESCRIPTION	ITEM	PART NO.	QTY.	DESCRIPTION
1..	574 497301....	1 DECK w/ SAFETY DECALS	34..	574 169601....	6 ROLLER, GAUGE
2..	574 221802....	2 BAFFLE, DIVERTER	35..	574 196401....	4 TUBE, ROLLER AXLE
3..	539 130647....	3 PULLEY	36..	574 196501....	1 TUBE, ROLLER AXLE LONG
4..	574 197002....	1 BRACKET, CHUTE PIVOT	37..	539 976978....	8 NUT 1/4-20 HEX NYLOC
5..	525 598201....	1 PULLEY, IDLER 7" NARROW	38..	539 115620....	8 BOLT 1/4-20 x 3/4 CARRIAGE
6..	510 019601....	2 PULLEY, IDLER 6"	39..	539 130653....	3 NUT 3/4-16 FLG
7..	525 426302....	1 SHIELD, 72 RT	40..	539 130639....	6 V-RING
8..	525 426102....	1 SHIELD, 72 LT	41..	574 722201....	1 ARM, IDLER w/ BRGS, SPACR
9..	539 105476....	3 BLADE, 25"	42..	522 729701....	1 BEARING, IDLER PIVOT
10..	521 991101....	5 NUT 1/2-13 HEX FLG NYLOC	43..	539 976998....	3 ZERK
11..	525 485701....	1 CHUTE, DISCHARGE	44..	574 286001....	1 BELT, DECK
12..	525 485902....	1 BRACKET, CHUTE SUPPORT	45..	522 023401....	1 WASHER 3/8 THICK
13..	510 263701....	3 BEARING, IDLER ARM	46..	539 101686....	1 BOLT 3/8-16 x 4 1/2 HEX GR 8
14..	539 106504....	3 WASHER, HEAVY	47..	510 015101....	1 PULLEY, IDLER 7" WIDE
15..	539 131781....	3 SCREW 3/8-16 x 2 3/4 HEX FLG	48..	574 202001....	1 EYEBOLT 3/8 x 4
16..	510 254501....	3 SHIELD, DUST	49..	525 465601....	1 SPACER, IDLER PIVOT
17..	521 996501....	5 NUT 3/8-16 HEX FLG NYLOC	50..	525 310901....	1 SPRING, TORSION
18..	525 464701....	5 SCREW 5/16-18 x 3/4 HEX FLG	51..	574 262201....	1 KEEPER, BELT
19..	539 112899....	10 NUT 5/16-18 HEX FLG NYLOC	52..	574 262102....	1 GUIDE, BELT
20..	510 022401....	1 BOLT 1/2-13 x 8 RD HD	53..	539 128101....	1 BOLT 3/8-16 x 2 1/2 CARRIAGE
21..	510 022301....	3 BOLT 1/2-13 x 4 3/4 RD HD	54..	539 107271....	1 BOLT 5/16-18 x 1 RD HD
22..	539 102933....	3 BOLT 5/16-18 x 1 1/2 RD HD	55..	525 836401....	3 SPINDLE ASSY
23..	539 100472....	2 BOLT 5/16-18 x 1 1/4 RD HD	56..	525 836001....	3 SHAFT, SPINDLE
24..	539 990692....	10 WASHER 5/16 STD FLT	57..	539 130643....	6 CUP, DEBRIS
25..	539 990209....	8 BOLT 5/16-18 x 1 HEX HD	58..	539 130641....	3 SPACER
26..	539 990187....	8 WASHER 5/16 SLW	59..	539 130637....	3 HUB
27..	539 104763....	8 RETAINER, U TYPE	NOT SHOWN - OPTIONAL			
28..	525 612801....	2 SCREW 3/8-16 x 1 HEX FLG	525 341101....	3 BLADE, HIGH LIFT 25"	
29..	539 130638....	6 BEARING	574 481401....	3 BLADE, LOW LIFT 25"	
30..	539 119007....	3 BLADE BOLT	525 544701....	3 BLADE, GATOR 25"	
31..	574 210601....	18 SCREW 1/2-13 x 1 HEX FLG	574 860902....	3 BLADE, WAVY REV LIFT 25"	
32..	539 109600....	9 WASHER 5/16 DISC SPRING				
33..	539 130315....	9 BOLT 5/16-18 x 1/2 HEX NYLOC				

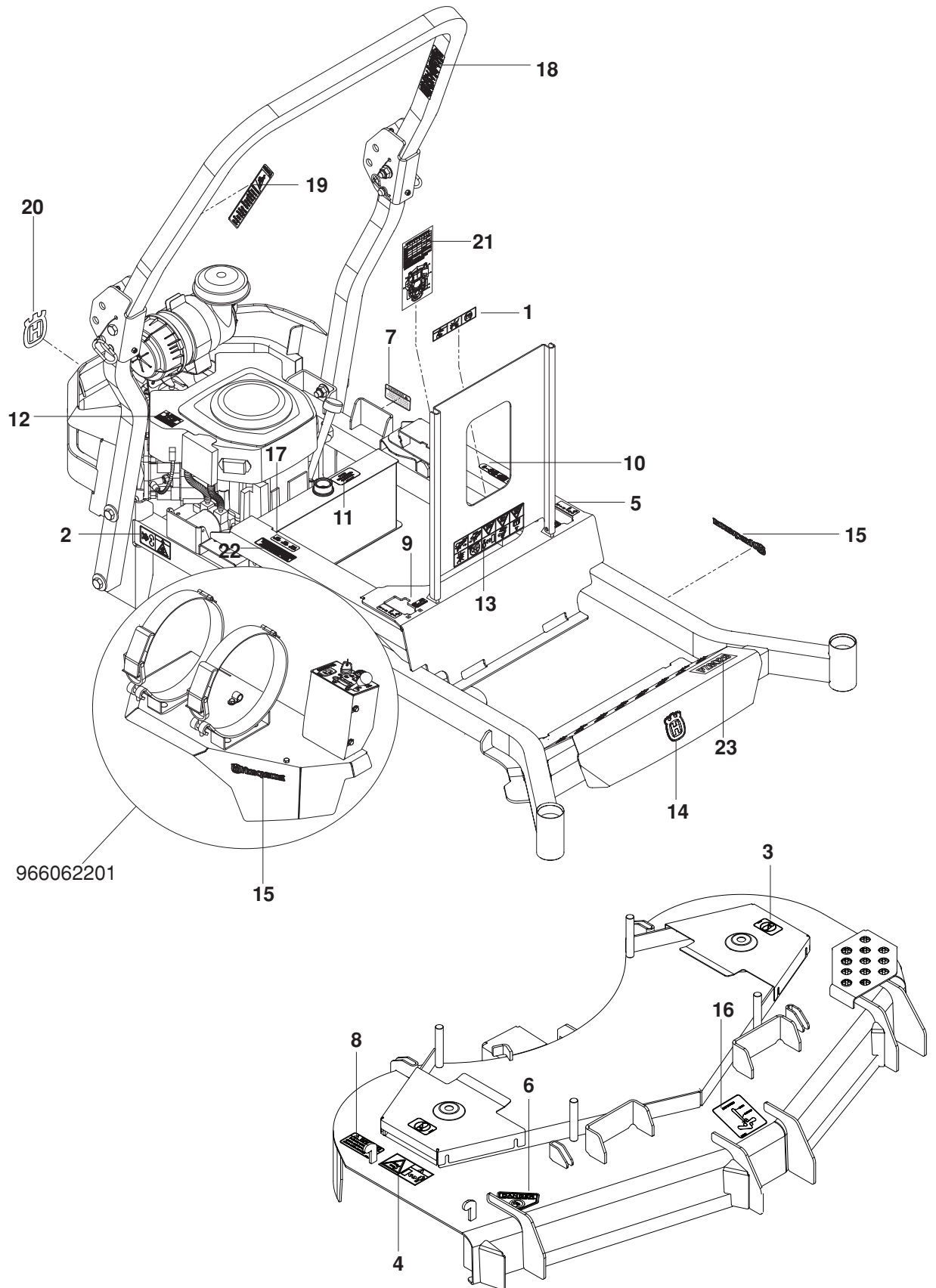
SEAT



SEAT

ITEM	PART NO.	QTY.	DESCRIPTION	ITEM	PART NO.	QTY.	DESCRIPTION
1..	574 284601....	1 SEAT ASSY	11..	510 283801....	2 BUMPER, RUBBER
2..	510 039302....	1 PAN, SEAT	12..	521 996501....	2 NUT $\frac{3}{8}$ -16 HEX FLG NYLOC
3..	515 990601....	2 BOLT $\frac{3}{8}$ x $1\frac{1}{4}$ $\frac{5}{16}$ -18 SHLDR	13..	539 113226....	4 BOLT $\frac{5}{16}$ -18 x 1 THD FRM
4..	510 064101....	1 ROD, SEAT	14..	539 119741....	1 SWITCH, SEAT
5..	539 913847....	2 RETAINER NUT $\frac{3}{8}$	15..	574 284602....	1 COVER, BACK
6..	521 996501....	2 NUT $\frac{3}{8}$ -16 HEX FLG NYLOC	16..	574 284603....	1 COVER KIT, CUSHION
7..	525 834201....	2 SCREW $\frac{3}{8}$ -16 x $1\frac{1}{4}$ HEX FLG	17..	574 284604....	1 TRACK KIT
8..	539 112899....	6 NUT $\frac{5}{16}$ -18 HEX FLG NYLOC	18..	574 284605....	1 ARMREST, LT
9..	574 182202....	1 LATCH, SEAT		574 284606....	1 ARMREST, RT
10..	520 283101....	1 SPRING, TORSION	19..	539 130359....	1 SEAT BELT

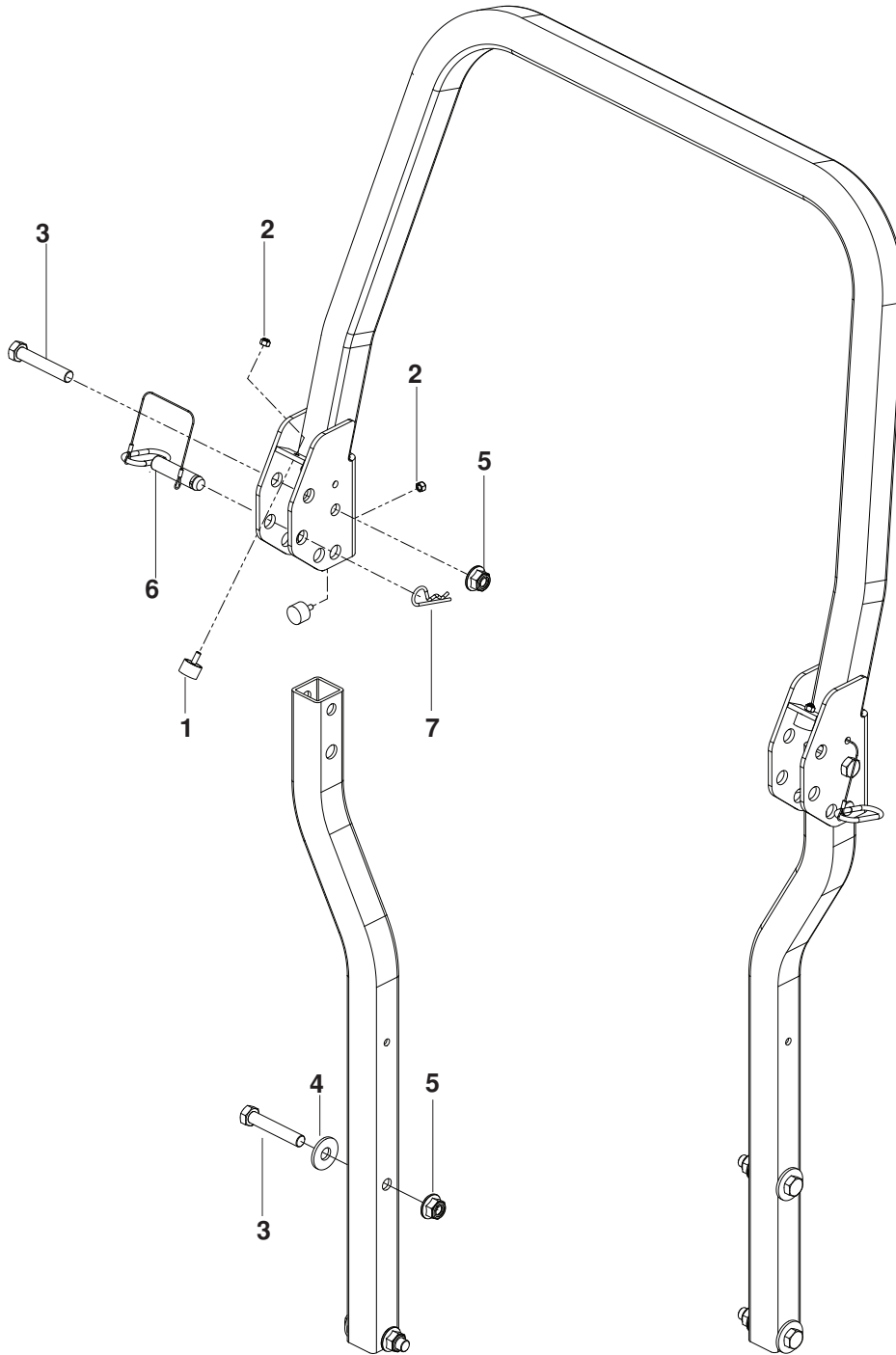
DECALS



DECALS

ITEM	PART NO.	QTY.	DESCRIPTION	ITEM	PART NO.	QTY.	DESCRIPTION
1..	539 105745....	1DECAL, BATTERY WARNING	17..	574 569401....	1DECAL, FUSE
2..	539 105744....	1DECAL, BELT DRIVE WARN	18..	574 569001....	1DECAL, ROPS
3..	539 105743....	2DECAL, NO STEP	19..	574 569002....	1DECAL, ROPS WARNING
4..	539 105746....	1DECAL, SEVERING	20..	574 455001....	1DECAL, CROWN H
5..	539 103333....	2DECAL, MOTION CONTROL	21..	574 825901....	1DECAL, SERVICE
6..	539 913010....	1DECAL, CPSC	22..	532 424102....	1DECAL, SPARK ARRESTOR
7..	539 101881....	1DECAL, PROP 65	23..	574 569601....	1DECAL, PZ5426
8..	539 113224....	1DECAL, WARNING		574 569604....	1DECAL, PZ6030
9..	539 110974....	2DECAL, F.S.T		574 569602....	1DECAL, PZ6029
10..	539 120006....	1DECAL, PARK BRAKE		574 569603....	1DECAL, PZ6029P
11..	539 114832....	1DECAL, OIL TANK		574 569607....	1DECAL, PZ6034
12..	539 100128....	1DECAL, EXHAUST		574 569606....	1DECAL, PZ7234
13..	539 107959....	1DECAL, WARNING		574 569605....	1DECAL, PZ6034ZT
14..	532 422011....	1DECAL, CROWN H		574 569608....	1DECAL, PZ29
15..	532 422012....	2DECAL, HUSQVARNA		574 569609....	1DECAL, PZ34
16..	574 437301....	1DECAL, BELT ROUTING				
	574 438801....	1DECAL, BELT ROUTING 72"				

PROTECTION FRAME



PROTECTION FRAME

ITEM	PART NO.	QTY.	DESCRIPTION	ITEM	PART NO.	QTY.	DESCRIPTION
1..	522 801401....4	BUMPER, MALE STUD 1/4-20	5..	525 829101....6	NUT 5/8-11 FLG NYLOC
2..	539 976978....4	NUT 1/4-20 HEX NYLOC	6..	574 388001....2	LATCH PIN w/ LANYARD
3..	539 115576....6	HCS 5/8-18 x 3 1/2	7..	539 200715....2	PIN, HAIR
4..	539 102653....4	WASHER 5/8 STD FLAT				