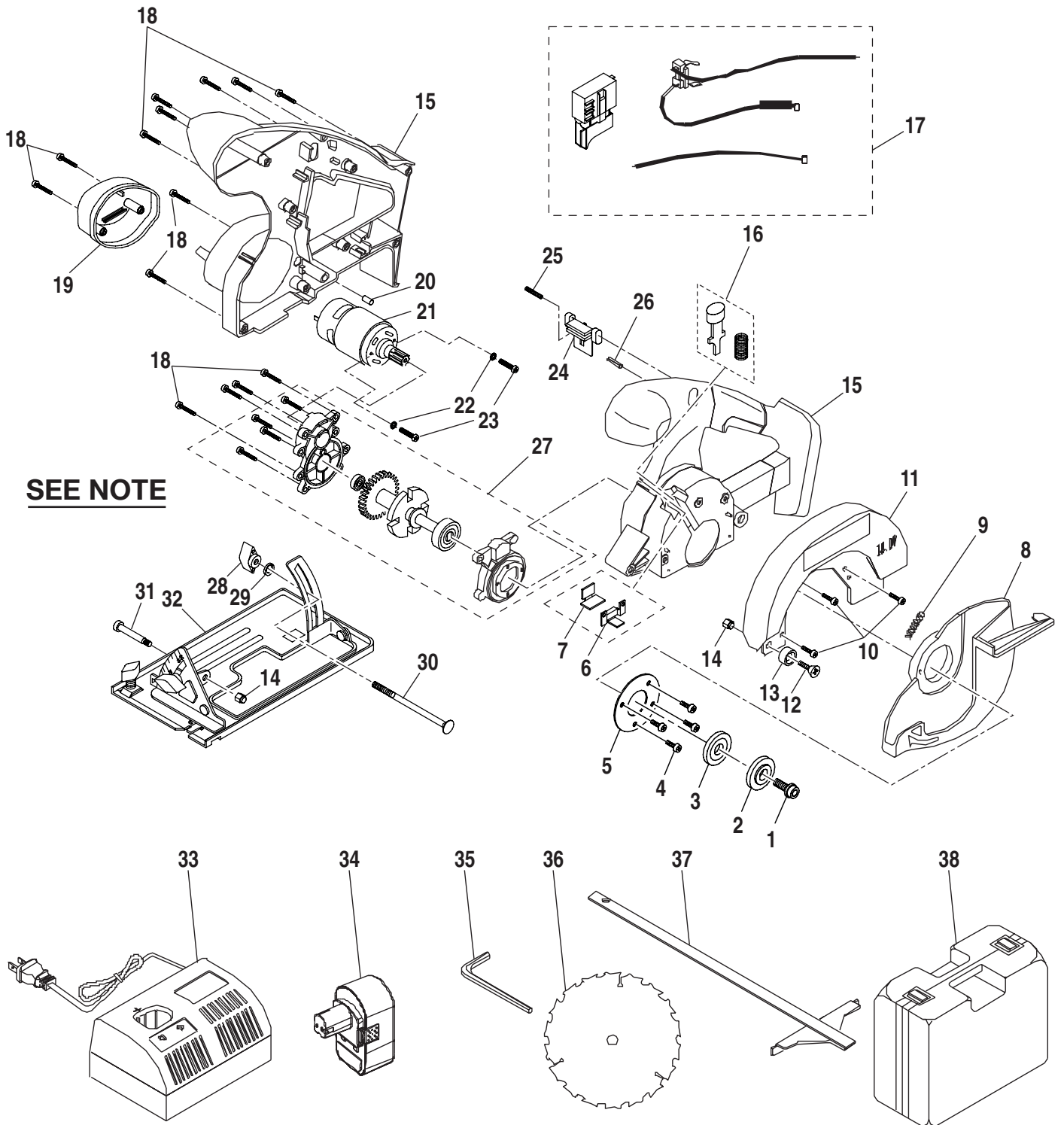


RYOBI 18 VOLT CORDLESS CIRCULAR SAW – MODEL NUMBER R10631



NOTE: The assembly shown represents an important part of the double insulated system. To avoid the possibility of alteration or damage to the system, service should be performed by your nearest Ryobi Authorized Service Center. For the service center nearest you call 1-800-525-2579.

RYOBI 18 VOLT CORDLESS CIRCULAR SAW – MODEL NUMBER R10631

The model number will be found on a label attached to the motor housing. Always mention the model number in all correspondence regarding your **CIRCULAR SAW** or when ordering repair parts.

PARTS LIST

Key No.	Part Number	Description	Qty.
1	6614401	SCREW (M6 x 16 mm, HEX SOCKET CAP WASHER HEAD)	1
2	6112101	OUTER BLADE CLAMP	1
3	610120002	INNER BLADE CLAMP	1
4	6616502	SCREW.....	4
5	670955001	COVER PLATE.....	1
6	630212001	COVERING PLATE	1
7	900303007	SEALING PAD	1
8	520175002	LOWER GUARD	1
9	670997001	LOWER GUARD SPRING.....	1
10	6620501	SCREW (M3 x 14 mm).....	3
11	640034003	UPPER GUARD	1
12	660219001	SCREW (M5 x 15.5 mm).....	1
13	5217802	RUBBER STOPPER	1
14	6797401	NYLON INSERT NUT (M5)	2
15	200112017	HOUSING ASSEMBLY	1
16	303826002	SHAFT LOCK ASSEMBLY.....	1
17	2701131	SWITCH ASSEMBLY	1
18	6620803	SCREW (M4 x 22 mm).....	14
19	360149006	END CAP	1
20	5621901	CONTACT PLATE STOPPER.....	1
21	2303331	MOTOR ASSEMBLY.....	1
22	670003001	SPRING WASHER.....	2
23	6621204	SCREW (M4 x 16 mm).....	2
24	5217310	SAFETY KNOB.....	1
25	6799802	SAFETY KNOB SPRING.....	1
26	6763101	CARBON SPRING PIN	1
27	220016137	GEAR BOX ASSEMBLY.....	1
28	520245010	KNOB	1
29	5228001	FLAT WASHER	1
30	6614301	BOLT (M6 x 100 mm).....	1
31	6614501	SCREW (M5 x 40 mm).....	1
32	3025507	BASE ASSEMBLY	1
33	140256005	CHARGER	1
34	130130017	BATTERY PACK.....	1
35	6800201	HEX KEY.....	1
36	6797309	BLADE	1
37	6795708	EDGE GUIDE.....	1
38	3063658	CARRYING CASE.....	1
	972000697	OPERATOR'S MANUAL	
	04-6-10		
	(REV:04)		