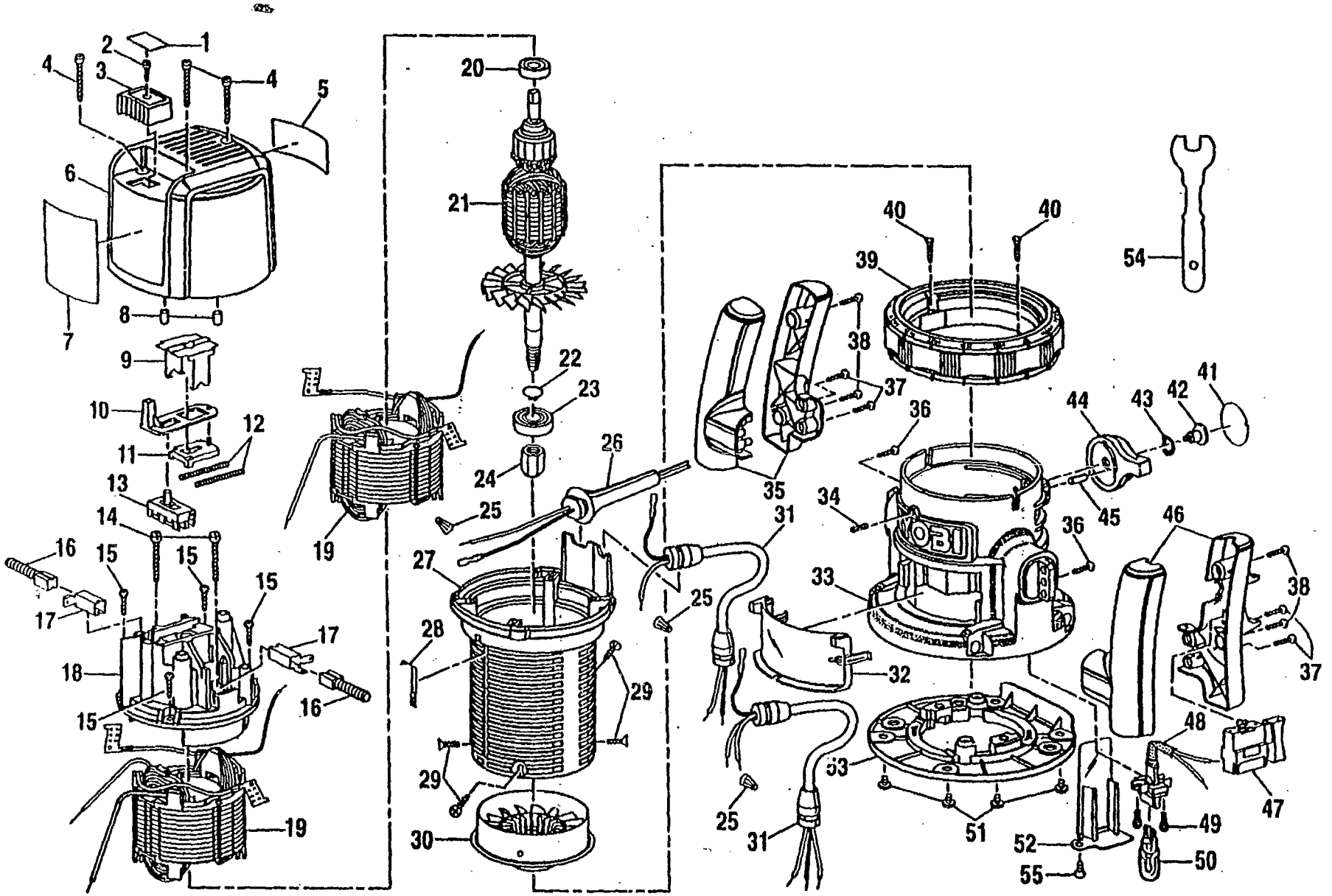


ROUTER R160K/R165K



RYOBI ROUTER - MODEL NUMBERS R160 / R165

The model number will be found on a plate attached to the motor housing. Always mention the model number in all correspondence regarding your **ROUTER** or when ordering repair parts.

PARTS LIST

Key No.	Part Number	Description	Quan.	Key No.	Part Number	Description	Quan.
1	974323-001	LABEL.....	1	28	973688-001	POINTER.....	1
2	999053-003	SCREW (#5-10 X 1/2 IN. FIL. HD.).....	1	29	612556-003	SCREW (#8-18 X 9/16 IN. FIL. HD. T.C.).....	4
3	973671-001	ACTUATOR BUTTON.....	1	30	973659-001	LOWER BEARING PLATE.....	1
4	989592-002	SCREW (#8-10 X 1-3/8 IN. FIL. HD.).....	3	31	973975-002	POWER HANDLE CORD (R160).....	1
5	973677-001	DATA PLATE (R160).....	1		973976-002	POWER HANDLE CORD (R165).....	1
	973678-001	DATA PLATE (R165).....	1	32	973672-001	CHIP SHIELD.....	1
6	973658-001	END CAP.....	1	33	974908-004	BASE (R160).....	1
7	973675-001	LOGO PLATE (R160).....	1		974908-005	BASE (R165).....	1
	973676-001	LOGO PLATE (R165).....	1	34	726676-002	SET SCREW (#8-32 X 7/16 IN. FLAT POINT) ...	1
8	617834-001	BUMPER.....	2	35	975062-001	AUXILIARY HANDLE.....	1
9	989573-001	RETAINER CLIP.....	1	36	616968-003	SCREW (#6-20 X 5/8 IN. PAN HD. T.C.).....	2
10	973679-001	SHAFT LOCK LEVER.....	1	38	610120-005	SCREW (#6-10 X 3/4 IN. PAN HD.).....	8
11	612858-001	SLIDE LOCK ASSEMBLY.....	1	39	974239-002	RING ASSEMBLY.....	1
12	974951-001	SPRING.....	2	40	974516-001	SCREW (#4-40 X 3/4 IN. PAN HD.).....	2
13	968303-098	SWITCH.....	1	41	973689-001	SHAFT LOCK LABEL.....	1
14	714096-807	SCREW (#10-16 X 1 IN. FIL. HD. T.F.).....	2	42	970712-002	SHOULDER SCREW (#10-32 X 5/16 IN. PAN HD.).....	1
15	616081-014	SCREW (#8-18 X 11/16 IN. PAN HD.).....	4	43	622347-020	WASHER.....	1
16	968304-026	BRUSH ASSEMBLY.....	2	44	973669-001	DEPTH LOCK LEVER.....	1
17	611686-003	BRUSH TUBE.....	2	45	623924-007	NEEDLE ROLLER.....	1
18	612848-007	TOP BEARING PLATE.....	1	46	975063-001	POWER HANDLE.....	1
19	968307-119	FIELD (R160).....	1	47	968303-046	SWITCH TRIGGER.....	1
	968307-120	FIELD (R165).....	1	48	973986-100	LAMP BASE (R165).....	1
20	968305-010	BALL BEARING (NTN#608ZZ/1E).....	1	49	616445-001	SCREW (R165) (#8-18 X 5/8 IN. FIL. HD.).....	2
21	968306-125	ARMATURE (R160).....	1	50	644328-001	BULB (R165).....	1
	968306-126	ARMATURE (R165).....	1	51	998586-001	SCREW (#10-32 X 1/4 IN. PAN HD.).....	4
22	622167-012	RETAINING RING.....	1	52	973968-001	LENS (R165).....	1
23	968305-020	BALL BEARING (NTN#6001LLBC3/1E).....	1	53	973668-002	SUBBASE.....	1
24	989985-003	1/4 IN. COLLET NUT.....	1	54	989935-006	WRENCH.....	1
25	623173-005	WIRE NUT (R165).....	3	55	614661-001	SCREW (#10-32 X 1/2 IN. FLAT HD. PHILLIPS.) (R165).	1
	623173-005	WIRE NUT (R160).....	2			OWNER'S MANUAL	
26	970105-020	CORD.....	1				
27	973657-001	MOTOR HOUSING.....	1				