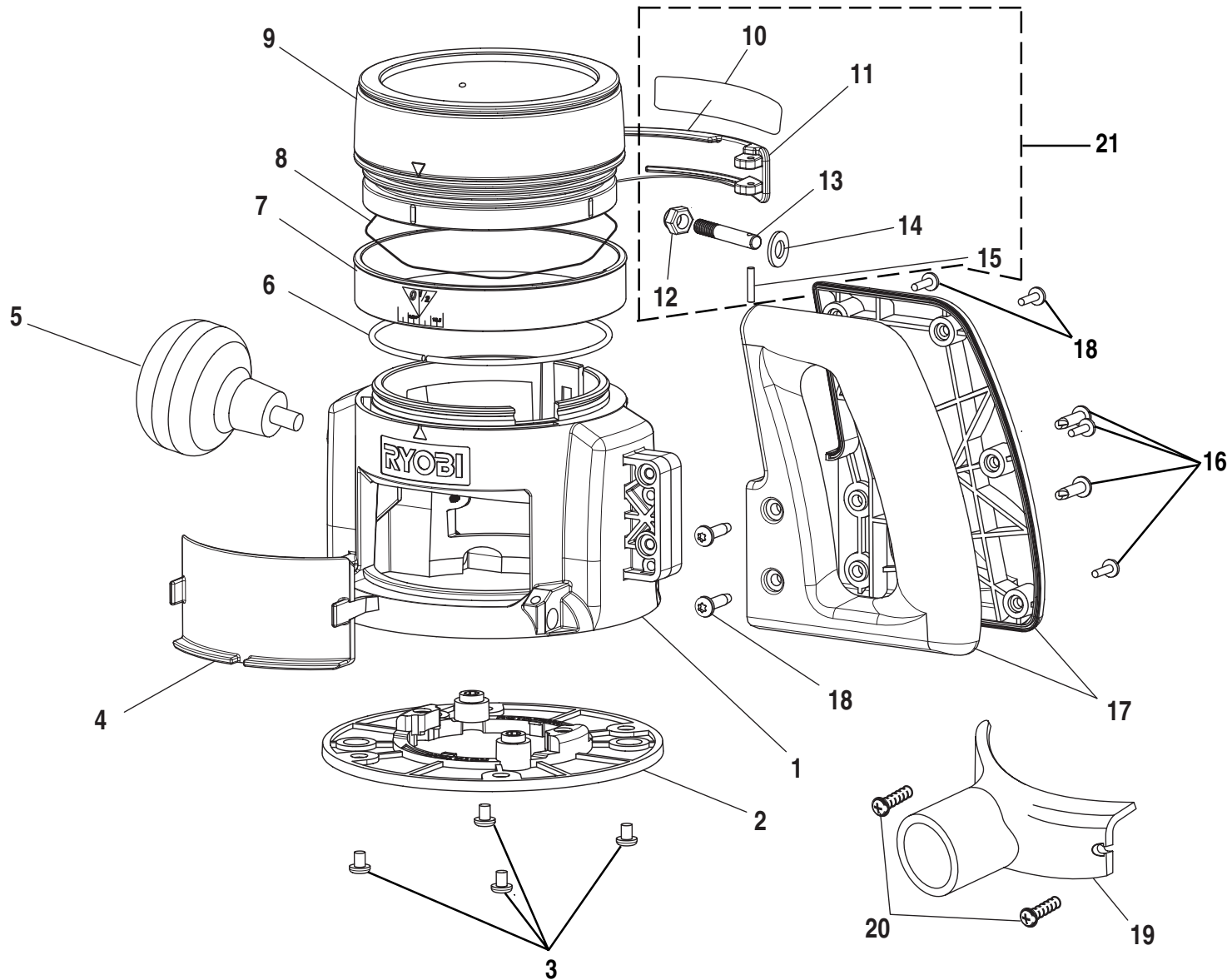


# RYOBI ROUTER D HANDLE – MODEL NUMBER R181DB1



**WARNING:** Improper repair of a double insulated tool can result in damages to the double insulation system possibly causing electrical shock or electrocution. Any repairs requiring disassembly of your tool requires safety testing and should only be performed by a Ryobi Authorized Service Center. For the service center nearest you call 1-800-525-2579.

## RYOBI ROUTER D HANDLE – MODEL NUMBER R181DB1

The model number will be found on a plate attached to the base. Always mention the model number in all correspondence regarding your **ROUTER** or when ordering repair parts.

### PARTS LIST

KEY NO.	PART NUMBER	DESCRIPTION	QTY.
1	200243003	D-HANDLE BASE .....	1
2	200247001	SUBBASE W/ INSERTS .....	1
3	660136001	* SCREW (10-32 X 1/4 in. PAN HD.) .....	4
4	512022001	CHIP SHIELD .....	1
5	512029001	KNOB .....	1
6	511990001	SPLINE .....	1
7	512055001	ZERO RESET RING .....	1
8	511991001	RESET RING SPRING .....	1
9	512021001	DEPTH ADJUSTMENT RING .....	1
10	940347003	DATA / INFORMATION PLATE .....	1
11	200248005	LEVER W/INFORMATION PLATE (INCLUDES KEY NO. 10) .....	1
12	671243001	HEX LOCK NUT (1/4-20) .....	1
13	671260001	LEVER PIN .....	1
14	631123001	WASHER .....	1
15	671247001	PIN NEEDLE ROLLER .....	1
16	660155001	* SCREW ( 8-10 X 1/2 in. PAN HD.) .....	4
17	200243002	D-HANDLE .....	1
18	660062006	* SCREW (10-24 X 3/4 in. TORX PAN HD.) .....	4
19	512023001	DUST NOZZLE .....	1
20	660284004	* SCREW (6-32 X 3/8 in. PAN HD.) .....	2
21	000727006	LOCK LEVER REPAIR KIT .....	1

**\* Standard Hardware Item – May Be Purchased Locally**