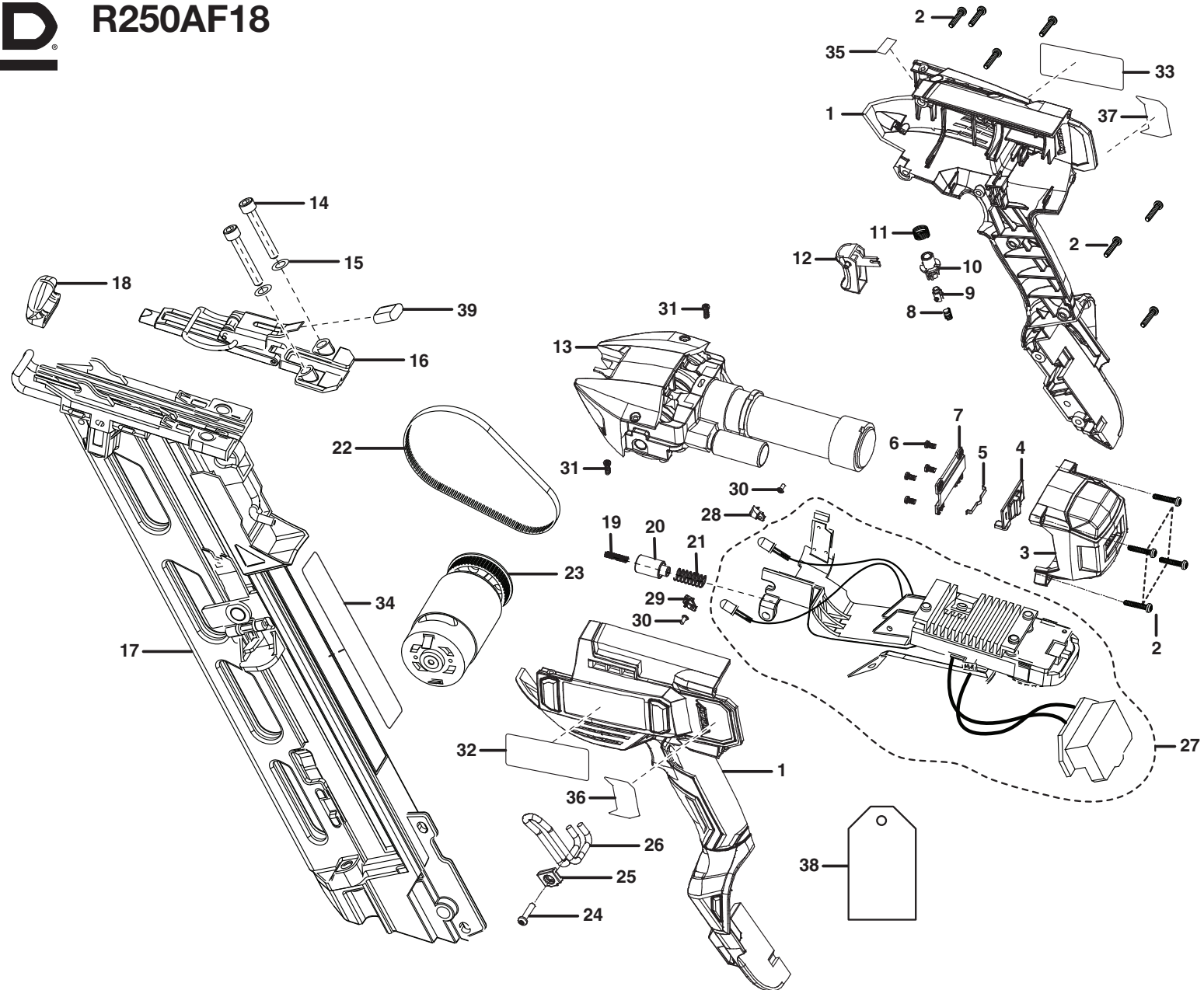




R250AF18



⚠ WARNING: Remove the battery pack from the tool before performing maintenance. Failure to do so could result in serious personal injury.

⚠ AVERTISSEMENT : Retirer la batterie de l'outil avant tout entretien. Ne pas prendre cette précaution peut entraîner des blessures graves.

⚠ ADVERTENCIA: Retire siempre el paquete de baterías de la herramienta antes de efectuar tareas de mantenimiento. La inobservancia de esta advertencia puede causar lesiones serias.



R250AF18 Angled Finish Nailer

KEY	P/N	DESCRIPTION	QTY	KEY	P/N	DESCRIPTION	QTY
1	201044001	Housing Assembly	1	25	517980001	Belt Hook Clamp.....	1
2	660185004	Screw (M4 x 20 mm)	11	26	632686001	Belt Hook	1
3	341841001	End Cap	1	27	280013190	Circuit Board Assembly	1
4	340846001	Mode Switch Knob	1	28	519081001	Light Bracket (Right)	1
5	632687001	Mode Switch Spring.....	1	29	519082001	Light Bracket (Left).....	1
6	660203073	Screw (M3 x 6 mm, Pan Hd.)	4	30	6620101	Screw (M2.6 x 4.5 mm)	2
7	517845001	Mode Switch Bracket.....	1	31	660031020	Screw (M3.5 x 10 mm, Torx)	2
8	680577002	Compression Spring	1	32	940114164	Logo Label	1
9	540918001	Inner Trigger Slide	1	33	940976320	Data Label	1
10	514209001	Trigger Slide	1	34	940221104	Warning Label	1
11	680590001	Compression Spring	1	35	940221088	Heat Warning Label.....	1
12	517849001	Switch Trigger	1	36	940263224	Gauge Label (Left).....	1
13	201139001	Motor & Gear Train Assembly (Inc. Key Nos. 22-23).....	1	37	940263225	Gauge Label (Right)	1
14	660174002	Screw (10-24 x 1-1/4 in., Hex Socket Hd. Cap).....	2	38	960015066	Hang Tag	1
15	680611001	Washer	2	39	540907002	Finger Grip	1
16	201043001	Magazine Press Plate (Inc. Key No. 39)	1	Not Shown:			
17	201042001	Magazine Assembly (Inc. Key Nos. 18 and 34).....	1	130383028	Battery Pack (R840084)	1	
18	560590003	No-Mar Pad.....	1	140276010	Charger (R840091)	1	
19	680585001	Compression Spring	1	902281001	Tool Bag	1	
20	550035002	Plunger	1	987000592	Charger Operator's Manual.....	1	
21	680576003	Compression Spring	1	987000594	Angled Finish Nailer Operator's Manual.....	1	
22	590085001	Drive Belt.....	1	987000022	Battery Pack Operator's Manual.....	1	
23	201136001	Motor Assembly	1	3-05-09			
24	660212071	Screw (M4 x 19.5 mm, Pan Hd.)	1	(REV:01)			