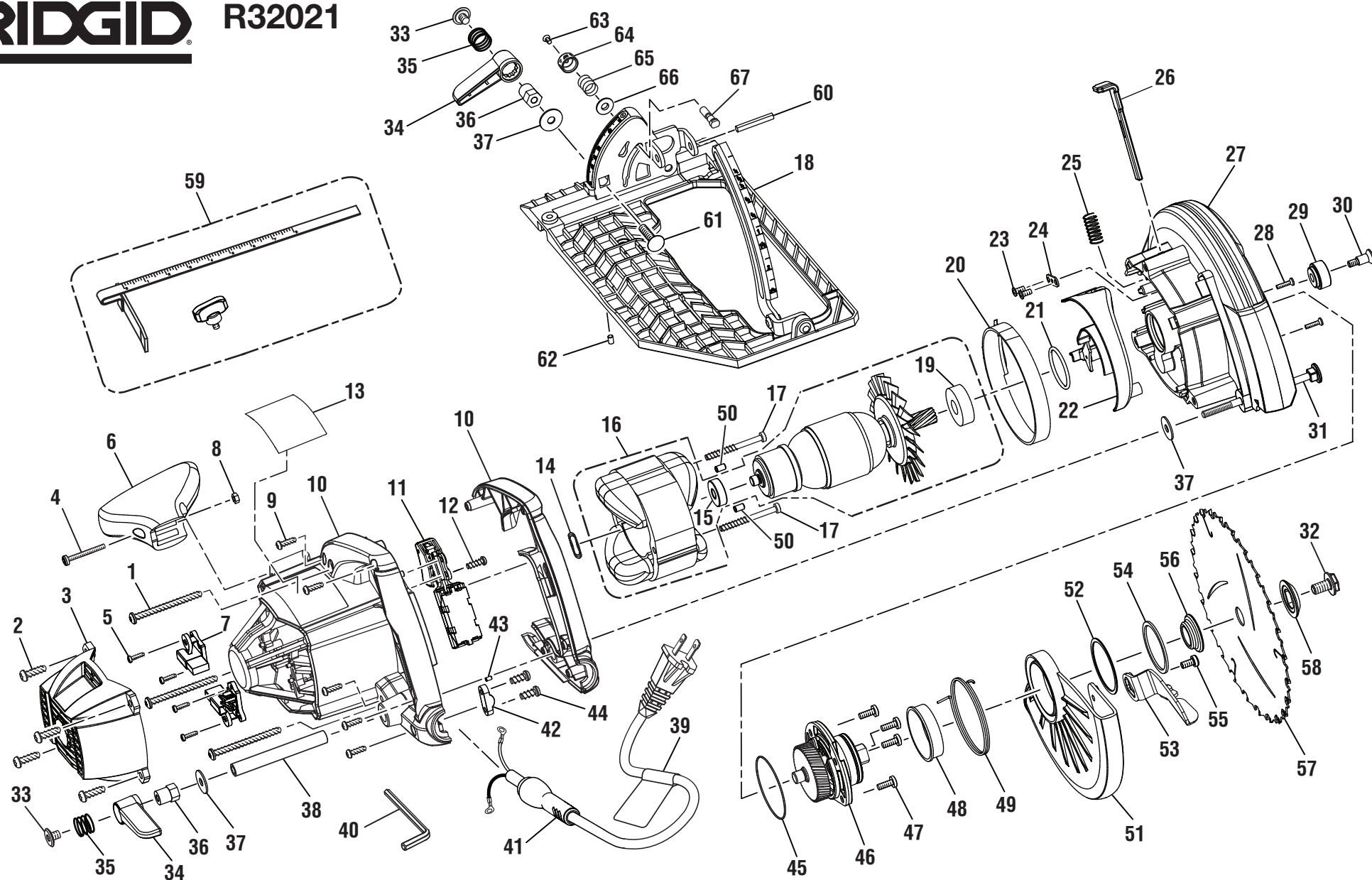


RIDGID® R32021



▲ **WARNING:** The assembly shown represents an important part of the Double Insulated System. To avoid the possibility of alteration or damage to the System, service should be performed by your nearest authorized service center.

▲ **AVERTISSEMENT :** L'ensemble illustré représente une partie importante du système à isolation double. Afin d'éviter la possibilité de modification ou de dommage au système, la réparation ne doit être effectuée que par votre centre de réparation centre commercial autorisé.

▲ **ADVERTENCIA:** El conjunto que se ilustra representa una parte importante del Sistema de Aislamiento Doble. Para evitar la posibilidad de alteración o daño del sistema, la reparación debe ser efectuada en su centro de servicio autorizado.

RIDGID® R32021

KEY	P/N	DESCRIPTION	QTY	KEY	P/N	DESCRIPTION	QTY	KEY	P/N	DESCRIPTION	QTY
1	661153001	Screw (M5 x 58 mm)	3	25	692037001	Spindle Lock Spring	1	48	514310001	Lower Blade Guard Sleeve.....	1
2	661517001	Screw (M15 x 15 mm)	4	26	632370001	Spindle Lock.....	1	49	692038003	Torsion Spring	1
3	516845002	End Cap.....	1	27	200674003	Upper Blade Guard Assembly.....	1	50	550339001	Plug	2
4	661106002	Screw (M4 x 33.5 mm)	1	28	660204009	Screw (M3 x 14 mm)	2	51	200919003	Lower Blade Guard Assembly.....	1
5	660203060	Screw (M3 x 12 mm)	4	29	561984001	Bumper.....	1	52	631876003	Washer	1
6	516846001	Front Handle.....	1	30	661245001	Screw (M6 x 20 mm)	1	53	631019002	Lower Blade Guard Lever.....	1
7	290069149	Brush Assembly	2	31	660842001	Elevation Bolt (1/4-20).....	1	54	680778003	External Ring	1
8	680022004	Hex Nut (M4 x 3.2 mm)	1	32	660988001	Blade Screw (5/16-18 x 9/16 in.)	1	55	660151008	Screw (M5 x 8 mm)	1
9	660443001	Screw (8-16 x 5/8 in.)	5	33	660993001	Screw (1/4-20 x 7 mm).....	2	56	692091001	Inner Flange Bushing.....	1
10	200672003	Motor Housing w/Handle Cover.....	1	34	513965005	Lever.....	2	57	681673001	Blade (24t)	1
11	760405003	Switch.....	1	35	681035001	Lever Spring	2	58	692092001	Outer Blade Washer	1
12	660208037	Screw (M4 x 12 mm)	1	36	660841002	Lever Nut (1/4-20)	2	59	202050001	Edge Guide Accessory.....	1
13	940976399	Data Label	1	37	691142001	Washer	3	60	680980004	Pivot Pin	1
14	681108001	Wavy Spring Washer	1	38	631686001	Elevation Tube	1	61	660858003	Carriage Bolt (1/4-20 x 3/4 in.)	1
15	681100001	Ball Bearing (608RZSP).....	1	39	940264111	Cord Tag (Fr/Sp)	1	62	660066005	Set Screw (8-32 x 1/4 in., T-8 Torx).....	1
16	200146064	Motor Assembly (Inc. Key Nos. 15 and 19).....	1	40	681231001	Blade Wrench (Hex Key, 6 mm)...	1	63	661197001	Screw (M3 x 8 mm)	1
17	660986001	Screw (8-16 x 1-3/4 in.).....	2	41	200950001	Power Cord Assembly (Inc. Key No. 39).....	1	64	340061001	Bevel Button.....	1
18	302429008	Base Assembly.....	1	42	5950101	Cord Clamp	1	65	681036001	Bevel Spring	1
19	681102001	Ball Bearing (6201-2RI Cd).....	1	43	560984002	Rubber Plug	1	66	513967001	Bevel Washer.....	1
20	516847001	Baffle	1	44	660024045	Screw (M4 x 13.5 mm)	2	67	631687001	Bevel Pin	1
21	561488001	O-Ring	1	45	561489001	O-Ring	1	Not Shown:			
22	516848001	Volute.....	1	46	200681001	Lower Blade Guard Support w/Bearing Assembly.....	1	987000552	Operator's Manual.....	1	
23	660208094	Screw (M4 x 8 mm)	2	47	660997001	Screw (10-24 x 1/2 in.)	4	4-30-12			
24	632425001	Spindle Lock Clamp.....	1					(Rev:09)			