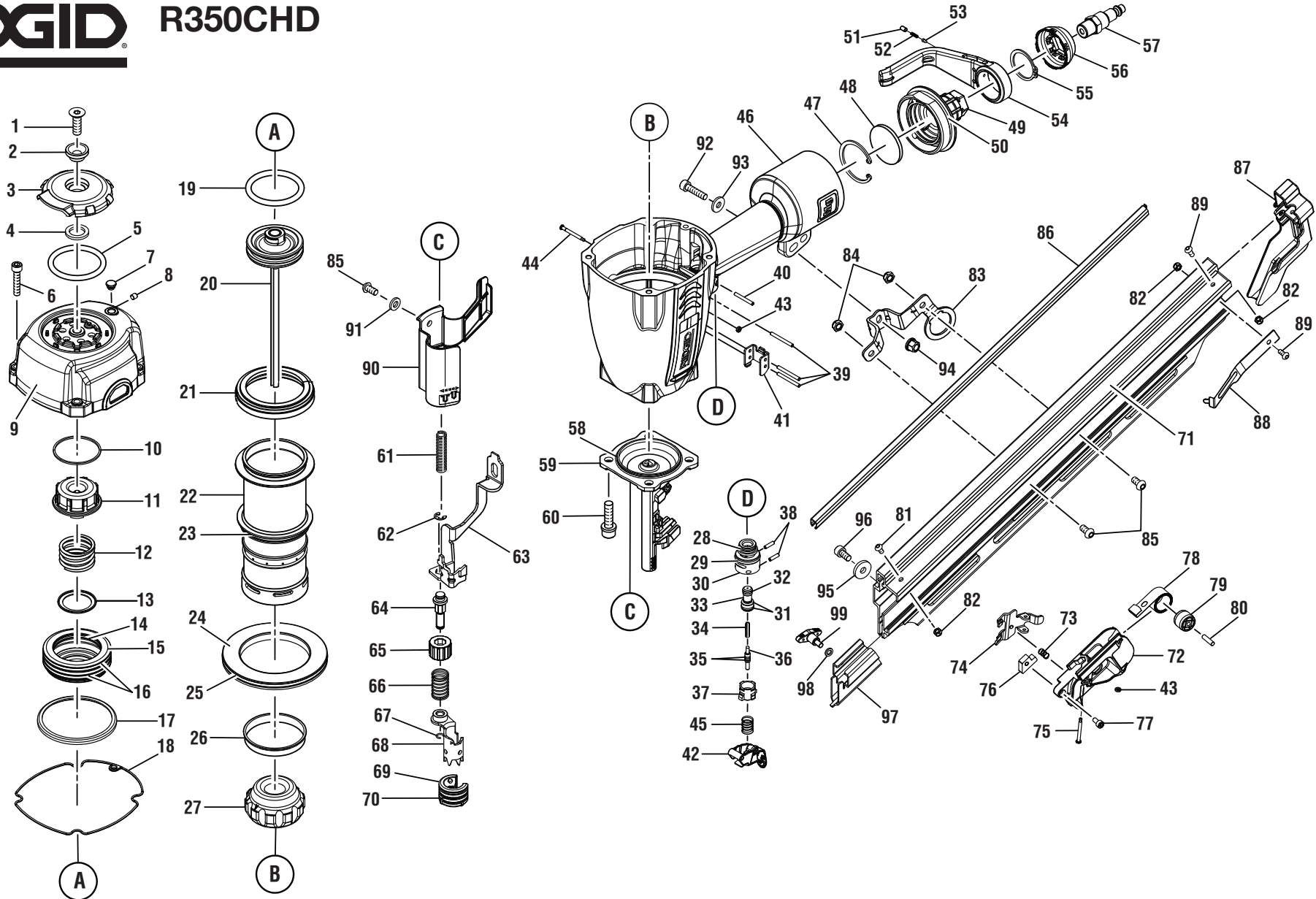


# RIDGID

## R350CHD



**⚠ DANGER:** Do not use oxygen, combustible gases, or bottled gases as a power source for this tool. The tool will explode and cause death or serious injury.

**⚠ DANGER :** Ne pas utiliser de l'oxygène ou des gaz combustibles ou en bouteille pour alimenter l'outil. L'outil exploserait, causant des blessures graves ou mortelles.

**⚠ PELIGRO:** No utilice oxígeno, gases combustibles ni gases embotellados como fuente de energía para esta herramienta. La herramienta explotará y causará la muerte o lesiones serias.

**⚠ WARNING:** Disconnect the tool from the air supply before performing maintenance. Failure to do so could result in serious personal injury.

**⚠ AVERTISSEMENT :** Débrancher l'outil de la source d'air avant tout entretien. Ne pas prendre cette précaution peut entraîner des blessures graves.

**⚠ ADVERTENCIA:** Desconecte la herramienta del suministro de aire antes de efectuar tareas de mantenimiento. La inobservancia de esta advertencia puede causar lesiones serias.



# R350CHD Clipped Head Framing Nailer

KEY	P/N	DESCRIPTION	QTY	KEY	P/N	DESCRIPTION	QTY	KEY	P/N	DESCRIPTION	QTY
1	079002001001	SCREW (COUNTER SUNK) (M8 x 1.25-25) (3M2353).....	1	43	079001001029	RETAINER.....	2	85	079002001018	BOLT (HALF ROUND HEX. HD.) (M6 x 1.0-12).....	3
2	079002001002	DEFLECTOR PAD.....	1	44	079002001045	TRIGGER PIVOT PIN.....	1	86	079002001086	STEEL CHANNEL.....	1
3	079002001003	DEFLECTOR.....	1	45	079002001046	SPRING.....	1	87	079022001021	HOOD COVER.....	1
4	079002001004	RUBBER PAD.....	1	46	079022001007	TOOL BODY UNIT.....	1	88	079022001022	NAIL PLATE (STOP).....	1
5	079002001005	MUFFLER ASSEMBLY.....	1	47	079022001009	C-RING.....	1	89	079002001083	BOLT (HALF ROUND HEX. HD.) (M4 x 0.7-10).....	2
6	079020001001	BOLT (HEX. SOC. HD.) (M6 x 1.0-30).....	4	48	079002001049	FILTER.....	1	90	079022001040	COVER.....	1
7	079022001001	GROMMET.....	1	49	079020001020	END CAP.....	1	91	079002001079	WASHER (D13 x d6.5).....	1
8	079002001008	SCREW (HEX. SOC. HD.) (M5 x 0.8-05).....	1	50	079002001051	O-RING (56.5 x 3.1).....	1	92	079022001043	BOLT (HEX. SOC. HD.) (M6 x 1.0-25).....	1
9	079020001002	CAP.....	1	51	079001001041	SCREW (HEX.SOC.HD.) (M4 x 0.7-06).....	1	93	079002001091	WASHER (D16 x d6.3 x 2t).....	1
10	079020001003	GASKET.....	1	52	079001001040	POSITIONING SPRING.....	1	94	079020001067	BOLT CAP (M6 x 1.0).....	1
11	079020001004	SEAL.....	1	53	079001001039	POSITIONING SHAFT.....	1	95	079022001044	WASHER (D19 x d6.5 x 3t).....	1
12	079020001005	COMPRESSION SPRING.....	1	54	079002001055	SPRING RETAINER.....	1	96	079002001092	BOLT (HEX. SOC. HD.) (M6 x 1.0-12).....	1
13	079020001006	WASHER.....	1	55	079020001021	S-RING.....	1	97	079022001010	HOOD COVER.....	1
14	079020001007	O-RING (47.04 x 3.1).....	1	56	079020001022	COVER.....	1	98	079019001031	LOCK WASHER (M5).....	1
15	079020001008	HD.VALVE PISTON.....	1	57	079004001048	AIR PLUG.....	1	99	079022001042	WING SCREW.....	1
16	079020001009	O-RING (61.5 x 3.1).....	2	58	079020001024	O-RING (62.31 x 1.5).....	1				
17	079002001019	PRESS RING.....	1	59	079022001011	NOSE PIECE.....	1	<b>NOT SHOWN:</b>			
18	079020001010	CYLINDER CAP SEAL.....	1	60	079002001068	BOLT ASSEMBLY (M8 x 1.25-30).....	4	100	079022001031	OVERHAUL KIT (INCL. KEY NOS. 14, 16, 18-19, 21, 23 AND 25-38, PLUS LUBRICANT).....	1
19	079020001011	O-RING (46.99 x 5.33).....	1	61	079005001061	WORKPIECE CONTACT SPRING.....	1	101	079022001032	DRIVER MAINTENANCE KIT (INCL. KEY NOS. 18-20, AND 27, PLUS LUBRICANT).....	1
20	079022001004	DRIVER UNIT.....	1	62	079002001089	E-RING.....	1	102	079022001033	DRIVER ASSEMBLY (INCL. KEY NOS. 19-20, PLUS LUBRICANT).....	1
21	079020001013	COLLAR.....	1	63	079022001035	WORKPIECE CONTACT B.....	1	103	079022001034	TRIGGER ASSEMBLY (INCL. KEY NOS. 28-38).....	1
22	079022001005	CYLINDER.....	1	64	079002001062	ADJUST ROD UNIT.....	1	104	079002001098	OIL AND WRENCH KIT (INCL. OIL AND 5 mm HEX KEY).....	1
23	079020001015	O-RING (62 x 3).....	1	65	079022001013	ADJUST KNOB.....	1	105	079002001910	TOOL BAG.....	1
24	079002001025	CYLINDER SPACER.....	1	66	079002001066	WORKPIECE CONTACT SPRING A.....	1	106	079002001099	GLASSES.....	1
25	079020001016	O- RING (97.9 x 3.1).....	1	67	079002001064	RING.....	1	107	079022001026	WARNING LABEL.....	1
26	079002001027	CYLINDER RING.....	1	68	079022001036	WORKPIECE CONTACT A.....	1	108	079022001027	DATA LABEL.....	1
27	079002001028	BUMPER.....	1	69	079022001037	NO-MAR PAD.....	1	109	079002001103	LOGO LABEL.....	2
28	079002001029	O-RING (12.42 x 1.78).....	1	70	079005001107	FIXED RING.....	1	110	987000029	OPERATOR'S MANUAL.....	1
29	079002001030	O-RING (18.72 x 2.62).....	1	71	079022001016	MAGAZINE A.....	1	111	983000623	FASTENER GUIDE.....	1
30	079002001031	PLUNGER CAP.....	1	72	079022001017	PUSHER COVER.....	1	112	079005001119	TRIGGER WRAP LABEL.....	1
31	079002001032	O-RING (8.8 x 1.9).....	2	73	079002001017	SPRING.....	1	113	079022001028	HANG TAG.....	1
32	079002001033	O-RING (5.8 x 1.9).....	1	74	079022001038	PUSHER.....	1				
33	079020001018	VALVE PLUNGER.....	1	75	079001001028	TRIGGER PIVOT PIN.....	1				
34	079002001035	SPRING.....	1	76	079002001072	SQUARE UNITS.....	1				
35	079001001024	O-RING (2.5 x 1.5).....	2	77	079002001073	BOLT (HEX. SOC. HD.) (M4 x 0.7-08).....	1				
36	079002001037	PLUNGER.....	1	78	079002001074	SPRING.....	1				
37	079002001038	TRIGGER VALVE HEAD.....	1	79	079002001075	ROLLING ELEMENT.....	1				
38	079002001039	SPRING PIN (3-12).....	2	80	079002001076	ROLL PIN.....	1				
39	079002001040	SPRING PIN (3-30).....	3	81	079001001067	BOLT (HALF ROUND HEX. HD.) (M4 x 0.7-08).....	1				
40	079002001041	SPRING PIN (3-25).....	1	82	079001001064	LOCK NUT (M4 x 0.7).....	3				
41	079002001042	WORKPIECE CONTACT GUIDE.....	1	83	079022001039	BRACKET.....	1				
42	079002001043	TRIGGER UNIT.....	1	84	079002001080	LOCK NUT (M6 x 1.0).....	2				

(REV:03)