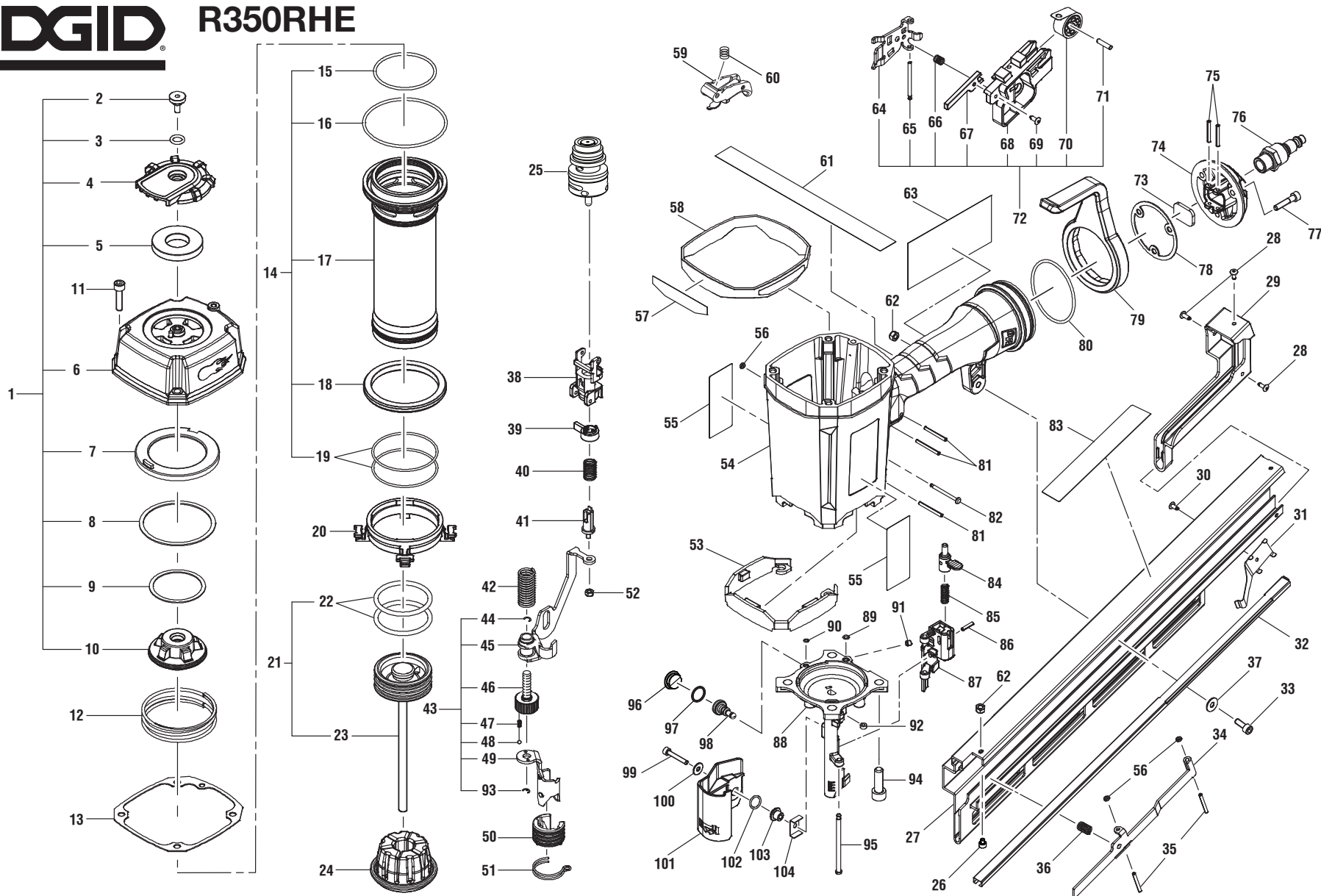


RIDGID R350RHE



⚠ DANGER: Do not use oxygen, combustible gases or bottled gases as a power source for this tool. The tool will explode and cause death or serious injury.

⚠ DANGER : Ne pas utiliser de l'oxygène ou des gaz combustibles ou en bouteille pour alimenter l'outil. L'outil exploserait, causant des blessures graves ou mortelles.

⚠ PELIGRO: No utilice oxígeno, gases combustibles ni gases embotellados como fuente de energía para esta herramienta. La herramienta explotará y causará la muerte o lesiones serias.

⚠ WARNING: Disconnect the tool from the air supply before performing maintenance. Failure to do so could result in serious personal injury.

⚠ AVERTISSEMENT : Débrancher l'outil de la source d'air avant tout entretien. Ne pas prendre cette précaution peut entraîner des blessures graves.

⚠ ADVERTENCIA: Desconecte la herramienta del suministro de aire antes de efectuar tareas de mantenimiento. La inobservancia de esta advertencia puede causar lesiones serias.



R350RHE Full Round Head Framing Nailer

KEY	P/N	DESCRIPTION	QTY	KEY	P/N	DESCRIPTION	QTY	KEY	P/N	DESCRIPTION	QTY
1	079005004706	Cap Assembly (Inc. Key Nos. 2-10).....1	1	40	079005004036	Spring.....1	1	80	079005004045	O-Ring (58 x 2.5).....1	1
2	079005004009	Deflector Screw1	1	41	079005004106	Switch Shaft Assembly1	1	81	079005004028	Spring Pin3	3
3	079005004044	O-Ring (12 x 2).....1	1	42	079005004032	Workpiece Contact Spring.....1	1	82	079005004019	Pin1	1
4	079005004071	Deflector1	1	43	079005004714	Work Piece Contact Assembly (Inc. Key Nos. 44-49 and 93)1	1	83	079005004902	Data Label.....1	1
5	079005004064	Muffler.....1	1	44	079005004016	C-Ring.....1	1	84	079005004096	Latch1	1
6	079005004069	Top Cap.....1	1	45	079005004097	Workpiece Contact (B).....1	1	85	079005004034	Spring.....1	1
7	079005004078	Cylinder Stopper.....1	1	46	079005004105	Depth Adjustment Knob1	1	86	079005004025	Spring Pin1	1
8	079005004081	Cylinder Wear Ring1	1	47	079005004030	Spring.....1	1	87	079005004100	Jam-Clearing Mechanism.....1	1
9	079005004017	Upper Bumper Washer1	1	48	079005004024	Adjustment Ball.....1	1	88	079005004103	Nosepiece.....1	1
10	079005004079	Upper Bumper1	1	49	079005004099	Workpiece Contact (A)1	1	89	079005004047	O-Ring (4.4 x 1.5).....1	1
11	079005004109	Bolt (M6 x 25 mm, Hex Soc. Hd.)4	4	50	079005004065	No-Mar Pad1	1	90	079005004048	O-Ring (3.5 x 1.5).....1	1
12	079005004035	Compression Spring1	1	51	079005004040	Spring Pad Retainer.....1	1	91	079005004007	Set Screw (M5 x 5 mm).....1	1
13	079005004066	Top Cap Gasket.....1	1	52	079005004010	Lock Nut (M4)1	1	92	079005004012	Pin Retainer.....1	1
14	079005004708	Cylinder Set (Inc. Key Nos. 15-19)1	1	53	079005004073	Vent Cover1	1	93	079005004112	E-Ring (M5)1	1
15	079005004057	O-Ring (54.5 x 2.5).....1	1	54	079005004111	Tool Body Unit1	1	94	079005004003	Screw (M8 x 25 mm, Soc. Hd.).....4	4
16	079005004056	O-Ring (75 x 2.5).....1	1	55	079005004901	Logo Label2	2	95	079005004022	Pin1	1
17	079005004070	Cylinder.....1	1	56	079005004013	Pin Retainer.....3	3	96	079005004104	Plunger Cover1	1
18	079005004076	Cylinder Seal.....1	1	57	079005004904	FastenEdge Label1	1	97	079005004043	O-Ring (13.2 x 1.5).....1	1
19	079005004055	O-Ring (58 x 2).....2	2	58	079005004068	Protection Ring1	1	98	079005004711	Plunger Assembly (Inc. Key Nos. 96-97)1	1
20	079005004077	Cylinder Retainer1	1	59	079005004710	Trigger Assembly1	1	99	079005004004	Screw (M5 x 25 mm, Soc. Hd.).....1	1
21	079005004713	Driver Assembly (Inc. Key Nos. 22-23)1	1	60	079005004041	Spring.....1	1	100	079005004015	Washer (ID5.2 x OD14 x 1t).....1	1
22	079005004058	O-Ring (47.3 x 4).....2	2	61	079005004908	Trigger Wrap Label.....1	1	101	079005004101	Workpiece Contact Cover.....1	1
23	079005004014	Driver Unit.....1	1	62	079005004011	Lock Nut (M5)2	2	102	079005004046	O-Ring (8 x 1).....1	1
24	079005004075	Bumper1	1	63	079005004903	Warning and Data Label Hang Tag (French and Spanish).....1	1	103	079005004061	Workpiece Contact Cover Bushing1	1
25	079005004709	Trigger Valve Assembly.....1	1	64	079005004095	Pusher.....1	1	104	079005004116	Magazine Bracket1	1
26	079005004001	Screw (M5 x 8 mm, Soc. Hd.).....1	1	65	079005004023	Pin1	1			Not Shown:	
27	079005004716	Magazine (Inc. Key Nos. 28-32, 34-37, 56 and 83).....1	1	66	079005004031	Spring.....1	1	0983000623		Fastener Guide1	1
28	079005004005	Rivet.....3	3	67	079005004098	Dry Fire Lockout Block1	1	079005004701		Overhaul Kit (Inc. Key Nos. 13, 15-16, 18-19, 22 and 24-25, Plus Lubricant).....1	1
29	079005004107	Magazine End Cap.....1	1	68	079005004094	Pusher Cover1	1	079005004702		Driver Maintenance Kit (Inc. Key Nos. 13 and 21, Plus Lubricant)1	1
30	079005004006	Rivet.....1	1	69	079005004008	Rivet1	1			Oil And Wrench Kit (Inc. Oil and 5 mm Hex Key)1	1
31	079005004039	Nail Plate (Stop)1	1	70	079005004110	Pusher Spring1	1	079005004117		Tool Bag1	1
32	079005004093	Wear Rail1	1	71	079005004021	Pin1	1	079005004114		Glasses1	1
33	079005004002	Screw (M5 x 15 mm, Soc. Hd.).....1	1	72	079005004715	Pusher Assembly (Inc. Key Nos. 64-71)1	1	988000586		Operator's Manual1	1
34	079005004038	Nail Stopper1	1	73	079005004063	Filter1	1	7-31-12			
35	079005004029	Spring Pin2	2	74	079005004072	End Cap1	1	(Rev:07)			
36	079005004037	Spring.....1	1	75	079005004026	Spring Pin2	2				
37	079005004118	Washer (ID5.2 x OD16 x 1.6t).....1	1	76	079005004074	Air Plug.....1	1				
38	079005004102	Guide1	1	77	079005004108	Screw (M5 x 25 mm, Soc. Hd.).....3	3				
39	079005004089	Mode Selector Switch.....1	1	78	079005004067	End Cap Gasket.....1	1				
				79	079005004080	Rafter Hook.....1	1				