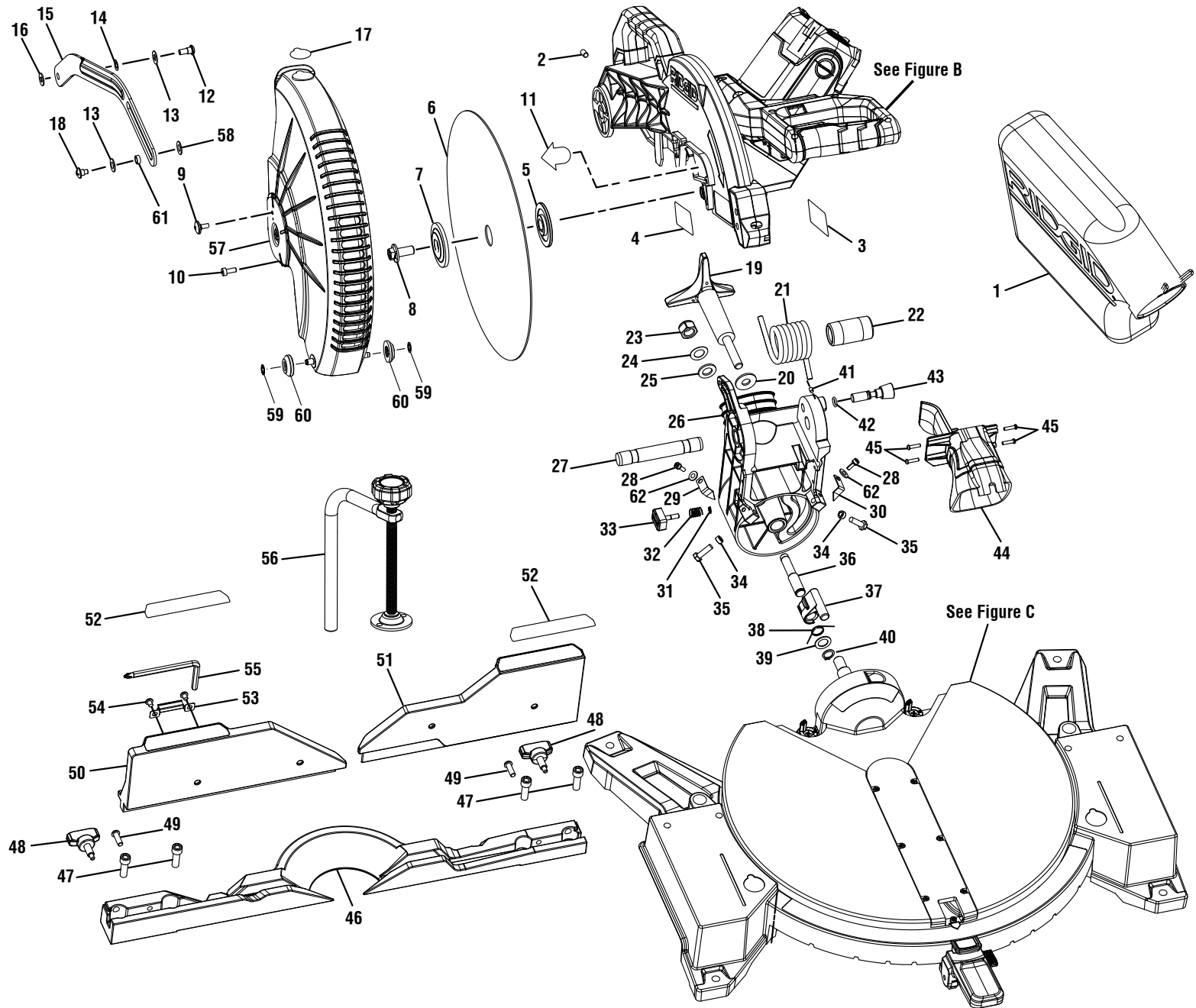


RIDGID
12 in. Miter Saw
Model No. R4122
Repair Sheet

RIDGID
Scie à onglets de 12 po
No. de modèle R4122
Feuille de réparation

RIDGID
Sierra ingleteadora de 12 pulg.
Núm. de modelo R4122
Lista de piezas de repuesto

FIGURE A /
FIGURA A



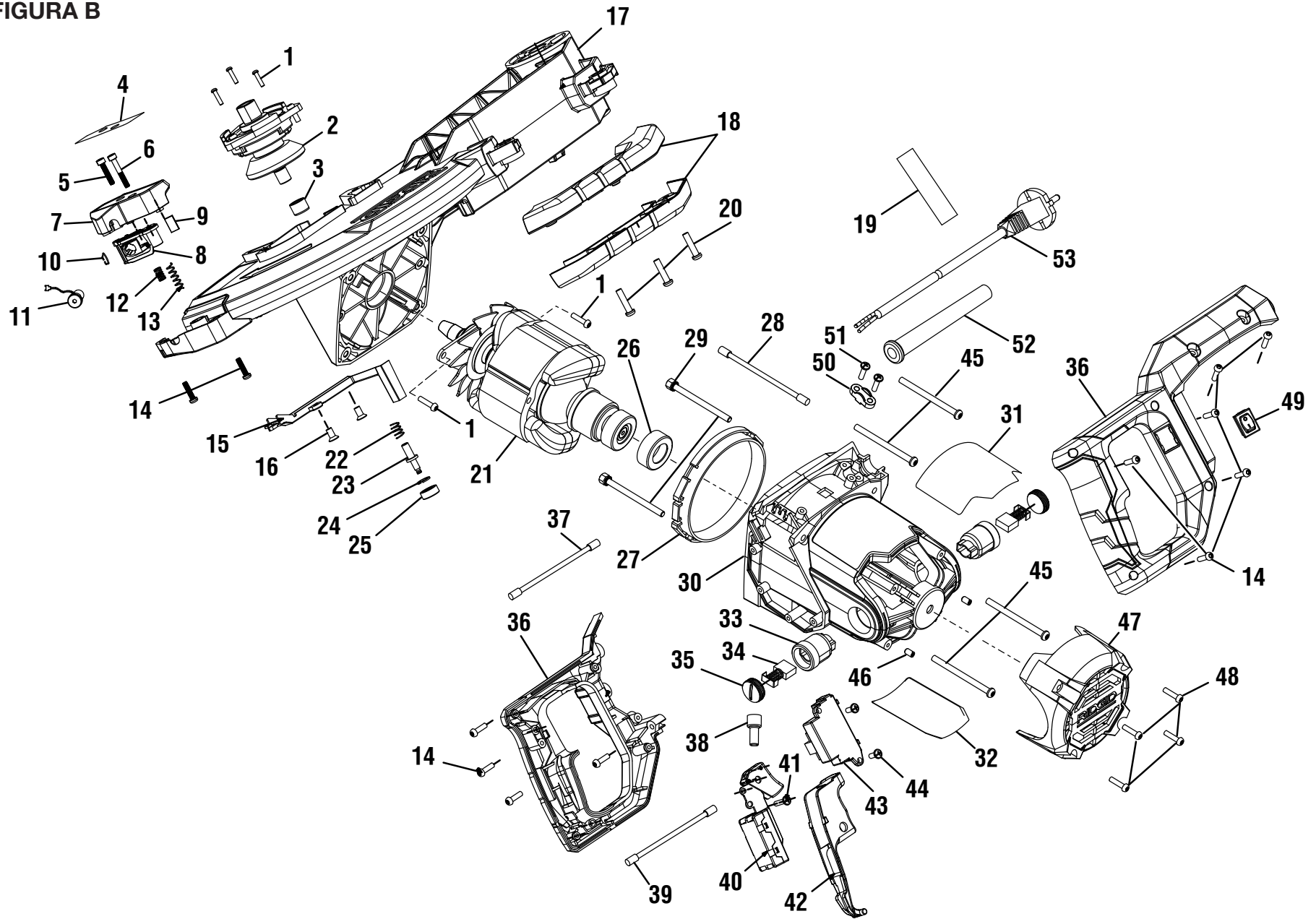
RIDGID 12 in. MITER SAW – MODEL NO. R4122

The model number will be found on a label attached to the housing. Always mention the model number in all correspondence regarding your **MITER SAW** or when ordering replacement parts.

PARTS LIST (FIGURE A)

KEY NO.	PART NUMBER	DESCRIPTION	QTY	KEY NO.	PART NUMBER	DESCRIPTION	QTY
1	902981001	Dust Bag.....	1	35	673250001	Bolt (M6 x 20 mm).....	2
2	660381004	Screw (M6 x 12 mm).....	1	36	673248001	Shaft.....	1
3	941120046	Aperture Warning.....	1	37	642222001	Block.....	1
4	941120049	Guard Warning Label.....	1	38	694009001	Torsion Spring.....	1
5	612293002	Inner Blade Washer.....	1	39	691148001	Washer (ID12.2 x OD19.2 x 1t).....	1
6	681780001	Blade.....	1	40	680336001	Retaining Ring.....	1
7	634584002	Outer Blade Washer.....	1	41	661705002	Screw (M4 x 4 mm).....	1
8	661964001	Screw (M10 x 22 mm).....	1	42	563157001	O-Ring.....	1
9	661965001	Screw (M5 x 13 mm).....	1	43	306554001	Index Pin.....	1
10	662205001	Screw (M5 x 14 mm).....	1	44	525413001	Dust Chute.....	1
11	941120048	Arbor Screw Direction Label.....	1	45	660570004	Screw (M3 x 14 mm).....	4
12	661978001	Screw (M6 x 14 mm).....	1	46	642038001	Fence.....	1
13	635362001	Washer (ID7.7 x OD16 x 1t).....	2	47	673280001	Screw (M8 x 20 mm).....	4
14	690903001	Washer (ID8.5 x OD12.5 x 0.3t).....	1	48	306553001	Fence Knob.....	2
15	634581001	Actuator Link.....	1	49	661955001	Screw (M6 x 22 mm).....	2
16	691142001	Washer (ID6.4 x OD15 x 1.2t).....	1	50	203283001	Left Sliding Fence Assembly (Incl. Key No. 52).....	1
17	941120044	No Hands Label.....	1	51	203284001	Right Sliding Fence Assembly (Incl. Key No. 52).....	1
18	T661974001	Screw (M5 x 10 mm).....	1	52	941120047	Sliding Fence Warning Label.....	2
19	306552001	Lock Knob.....	1	53	631717001	Hex Key Clip.....	1
20	634968001	Washer.....	1	54	661219003	Screw (M5 x 5 mm).....	2
21	693876002	Torsion Spring.....	1	55	693391002	Blade Wrench/Hex Key (#2 Phillips & M6).....	1
22	525426001	Spacer.....	1	56	203154001	Work Clamp Assembly.....	1
23	661957001	Lock Nut (M12 x 12).....	1	57	203282001	Lower Guard Assembly (Incl. Key Nos. 17 and 59-60).....	1
24	670643003	Spring Washer.....	1	58	634407001	Washer (ID6.1 x OD15 x 1t).....	1
25	690523003	Washer.....	1	59	634914001	Push Nut (Retaining Clips).....	2
26	642040001	Pivot.....	1	60	525421001	Roller.....	2
27	621579001	Bolt (M16 x 106 mm).....	1	61	612437001	Spacer.....	1
28	660212049	Screw (M4 x 12 mm).....	2	62	T634134001	Washer (ID4.2 x OD8.5 x 0.05t).....	2
29	635396001	Bevel Indicator (Left).....	1	NOT SHOWN:			
30	635395001	Bevel Indicator (Right).....	1	990000966	Operator's Manual		
31	671997001	E-Ring.....	1	(Rev:03)			
32	694043001	Compression Spring.....	1	8-31-15			
33	306563001	Bevel Stop Pin.....	1				
34	591408001	Sleeve.....	2				

FIGURE B /
FIGURA B



RIDGID 12 in. MITER SAW – MODEL NO. R4122

The model number will be found on a label attached to the housing. Always mention the model number in all correspondence regarding your **MITER SAW** or when ordering replacement parts.

PARTS LIST (FIGURE B)

KEY NO.	PART NUMBER	DESCRIPTION	QTY	KEY NO.	PART NUMBER	DESCRIPTION	QTY
1	660385016	Screw (M5 x 15 mm)	5	28	290061304	Wire Connect Brush and Switch	1
2	203278001	Gear Assembly	1	29	660299024	Screw (M5 x 65 mm)	2
3	680582002	Needle Bearing.....	1	30	203281001	Motor Housing Assembly (Incl. Key Nos. 31-32)	1
4	941120050	Laser Instruction Label.....	1	31	941120043	Warning Label (Large).....	1
5	661970001	Screw (M4 x 22 mm)	1	32	941488078	Data Label	1
6	661962001	Screw (M4 x 28 mm)	1	33	301035001	Brush Holder	2
7	591404001	Laser Mount Cover.....	1	34	301036001	Brush	2
8	591406001	Laser Bracket	1	35	512010001	Brush Cap	2
9	591407001	Laser Lens	1	36	203280001	Handle Assembly	1
10	694044001	Wire Clip	1	37	290061301	Wire Connect Switch and Cord.....	1
11	291222001	Laser.....	1	38	790021001	Wire Connector	1
12	694038001	Compression Spring (Short).....	1	39	290061299	Wire Connect Switch and Nut.....	1
13	694037001	Compression Spring (Long).....	1	40	760518001	Switch.....	1
14	660024015	Screw (M4 x 14 mm)	12	41	660208037	Screw (M4 x 12 mm)	1
15	591405001	Channel	1	42	525427001	Trigger.....	1
16	T661737001	Screw (M4 x 8 mm)	2	43	280270001	Transformer Assembly.....	1
17	642043001	Upper Blade Guard	1	44	660853002	Screw (M3.5 x 10 mm)	2
18	203386001	Carry Handle Assembly.....	1	45	T662038001	Screw (M5 x 65 mm)	4
19	941120045	Hangtag Label (Fr/Sp)	1	46	660067001	Screw (#8-16 x 1/4 in.)	2
20	660299029	Screw (M5 x 21 mm)	3	47	525418001	End Cap.....	1
21	203279001	Motor Assembly	1	48	660024044	Screw (M4 x 16 mm)	4
22	693860001	Compression Spring.....	1	49	760271021	Laser Switch.....	1
23	673138001	Lock Pin.....	1	50	590501001	Cord Clamp	1
24	694033001	Retaining Ring	1	51	660208052	Screw (M4 x 16 mm)	2
25	525451001	Lock Button.....	1	52	551072001	Bend Relief.....	1
26	563108001	Bearing Retainer.....	1	53	730372034	Power Cord	1
27	525410001	Baffle	1				

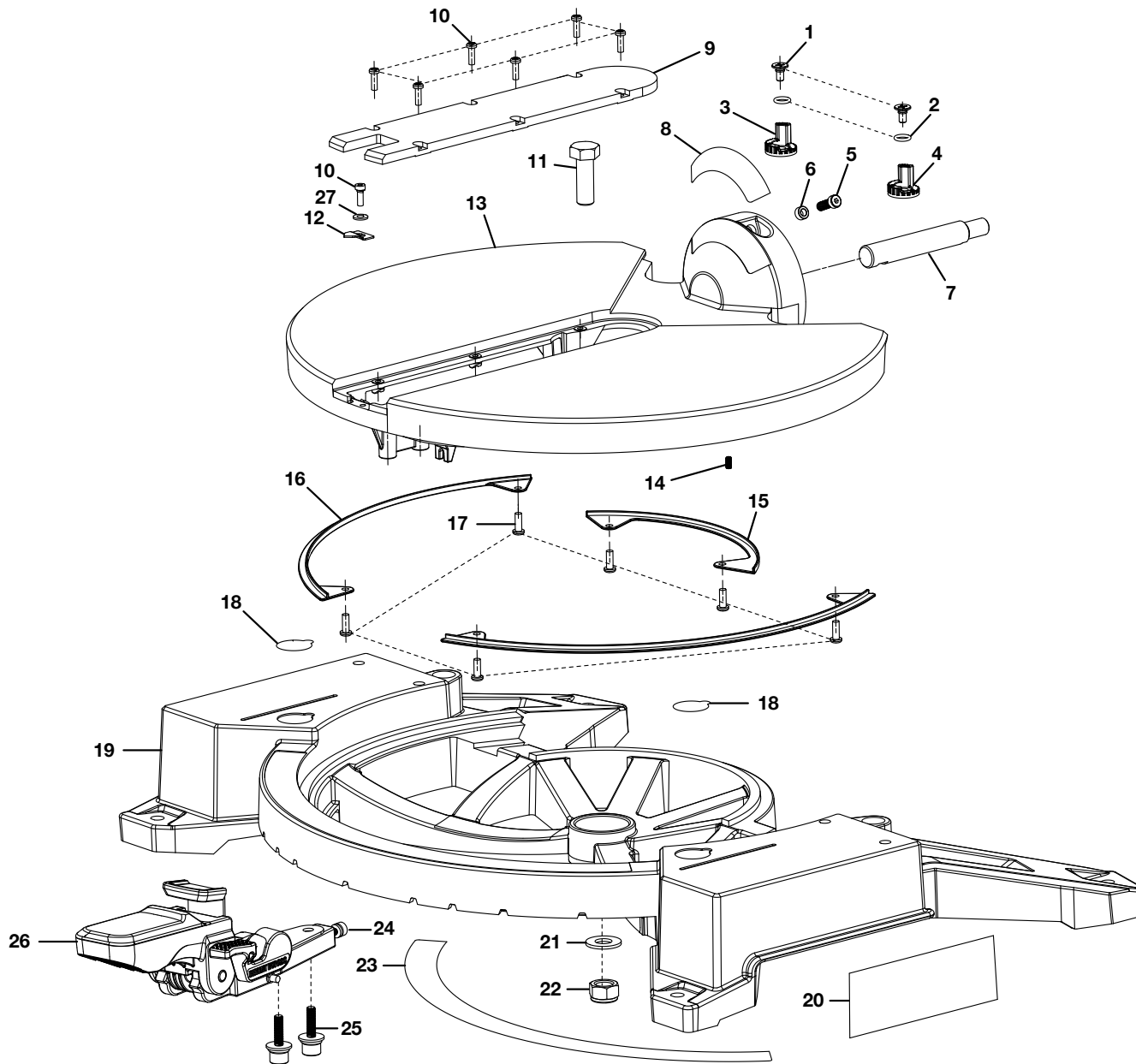


FIGURE C /
FIGURA C

RIDGID 12 in. MITER SAW – MODEL NO. R4122

The model number will be found on a label attached to the housing. Always mention the model number in all correspondence regarding your **MITER SAW** or when ordering replacement parts.

PARTS LIST (FIGURE C)

KEY NO.	PART NUMBER	DESCRIPTION	QTY	KEY NO.	PART NUMBER	DESCRIPTION	QTY
1	T662039001	Screw (M5 x 11 mm)	2	15	525423001	Small Shim	1
2	563406001	O-Ring	2	16	525422001	Large Shim	2
3	T612257001	Left Turret	1	17	660219021	Screw (M5 x 8 mm)	6
4	612452001	Right Turret	1	18	941120044	No Hands Label.....	2
5	673249001	Bevel Stop Pin.....	1	19	203286001	Base Assembly (Incl. Key No. 18)	1
6	591408001	Sleeve.....	1	20	941120051	Crown Molding Instructions	1
7	621469001	Pivot Bolt	1	21	690523003	Washer (ID12.5 x OD22 x 2t).....	1
8	941001145	Bevel Scale.....	1	22	661957001	Nut (M12).....	1
9	525425001	Throat Plate	1	23	941001146	Miter Scale	1
10	660212049	Screw (M4 x 12 mm)	7	24	660212047	Screw (M4 x 14.5 mm)	1
11	661967001	Bolt (M12 x 35 mm)	1	25	T661969001	Screw (M6 x 25 mm)	2
12	635214001	Miter Indicator	1	26	203288001	Miter Lock Assembly.....	1
13	642042001	Miter Table	1	27	T634134001	Washer (ID4.2 x OD8.5 x 0.05t).....	1
14	661944001	Screw (M8 x 16 mm)	1				