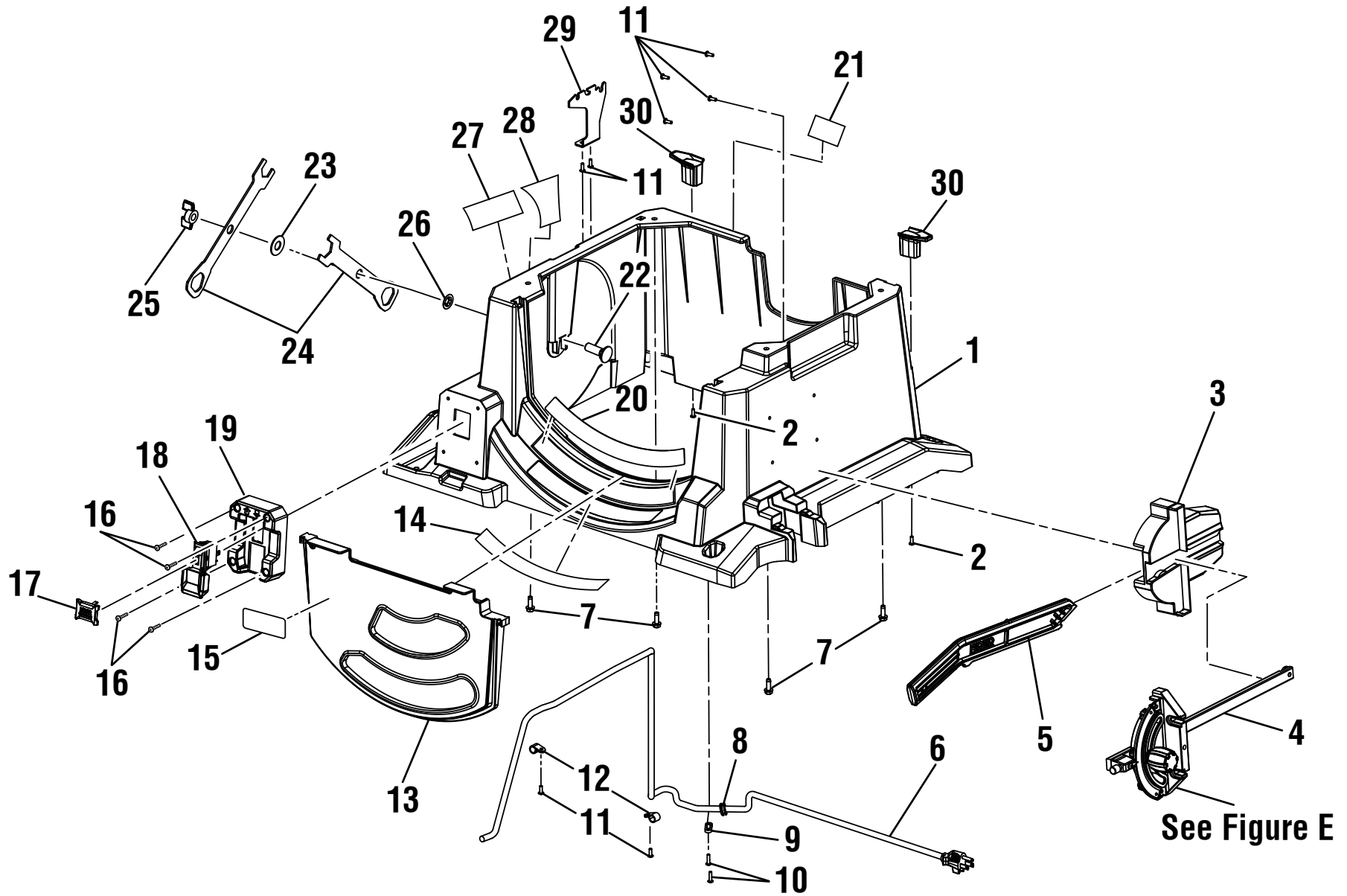




R45101

PARTS LIST FOR FIGURE A

KEY NO.	PART NUMBER	DESCRIPTION	QTY.	KEY NO.	PART NUMBER	DESCRIPTION	QTY.
1	089037004006	Screw (M4 x12 mm)	3	29	089037004022	Set Screw (M4 x 10 mm)	2
2	089037004049	End Cap (Left Front)	1	30	089037004021	Bevel Indicator	1
3	089037004048	End Cap (Right Front).....	1	31	089037004019	Bevel Indicator Support	1
4	827872	Scale Spring	1	32	089037004013	Handwheel Sleeve.....	1
5	089037004051	Scale.....	1	33	089037004291	Washer (D6.5 x D14 x 1t).....	1
6	089037004050	Screw (M4 x 12 mm)	1	34	089037004029	Switch Cover.....	1
7	089037004315	Handwheel Knob.....	1	35	089037004030	Screw (M4 x 10 mm)	2
8	827645	End Cap (Left Front)	1	36	089037004702	Bevel Handwheel Assembly	1
9	089037004009	Screw	4	37	089037004290	Elevation Handwheel.....	1
10	089037004046	Set Screw (M8 x 18 mm)	2	38	37937	Wavy Washer.....	1
11	089037004047	Ind-I-Cut™	1	39	089037004016	Washer (D6.35 x D16 x 1t).....	1
12	089037004209	Screw (M5 x 8 mm)	4	40	089037004017	Lock Knob (M6)	1
13	089037004703	Throat Plate Assembly (Inc. Key No. 12).....	1	41	089037008033	Lock Nut	1
14	089037020707	Blade Guard Assembly.....	1	42	805561-4	Washer (D0.505 x D13/16 x 1/32t)	1
15	089037004707	Anti-Kickback Pawl Assembly.....	1	43	089037004014	Washer (D16.1 x D25.3 x 0.8t).....	1
16	089037004052	Bolt (M6 x 16 mm, Hex Soc. Hd.).....	2	44	830386	Handwheel Spring	1
17	089037004708	Riving Knife Assembly.....	1	45	089037004206	Screw (M5 x 8 mm)	1
18	089037004045	Set Screw (M5 x 12 mm)	1	46	138164	Lock Washer (M5).....	1
19	827470	End Cap (Right Rear).....	1	47	089037004032	Ground Wire (14 AWG x 200 mm)	1
20	089037004700	Table Assembly (See Figure H).....	1	48	089037004033	Hex Nut (M5)	1
21	089037004044	Blade Cover.....	1	49	089037004205	Lock Washer (D4.3 x D8.5 x 0.45t).....	4
22	6362	Blade Nut.....	1	50	089037004031	Hex Nut (M4)	4
23	089037004043	Outer Blade Washer	1	51	089037004284	End Cap.....	1
24	089037004289	Blade (10 in.).....	1	52	089037004025	Bend Relief	2
25	089037004293	Shoulder Screw (M6 x 13.5 mm)	1	53	089037004036	Cable Clamp.....	1
26	089037004010	Square Nut (M8)	4	54	089037004023	Switch Box	1
27	089037020702	Motor Bracket Assembly.....	1	55	089037004281	Screw (M4 x 16 mm)	2
28	089037004020	Set Screw (M4 x 10 mm)	2				



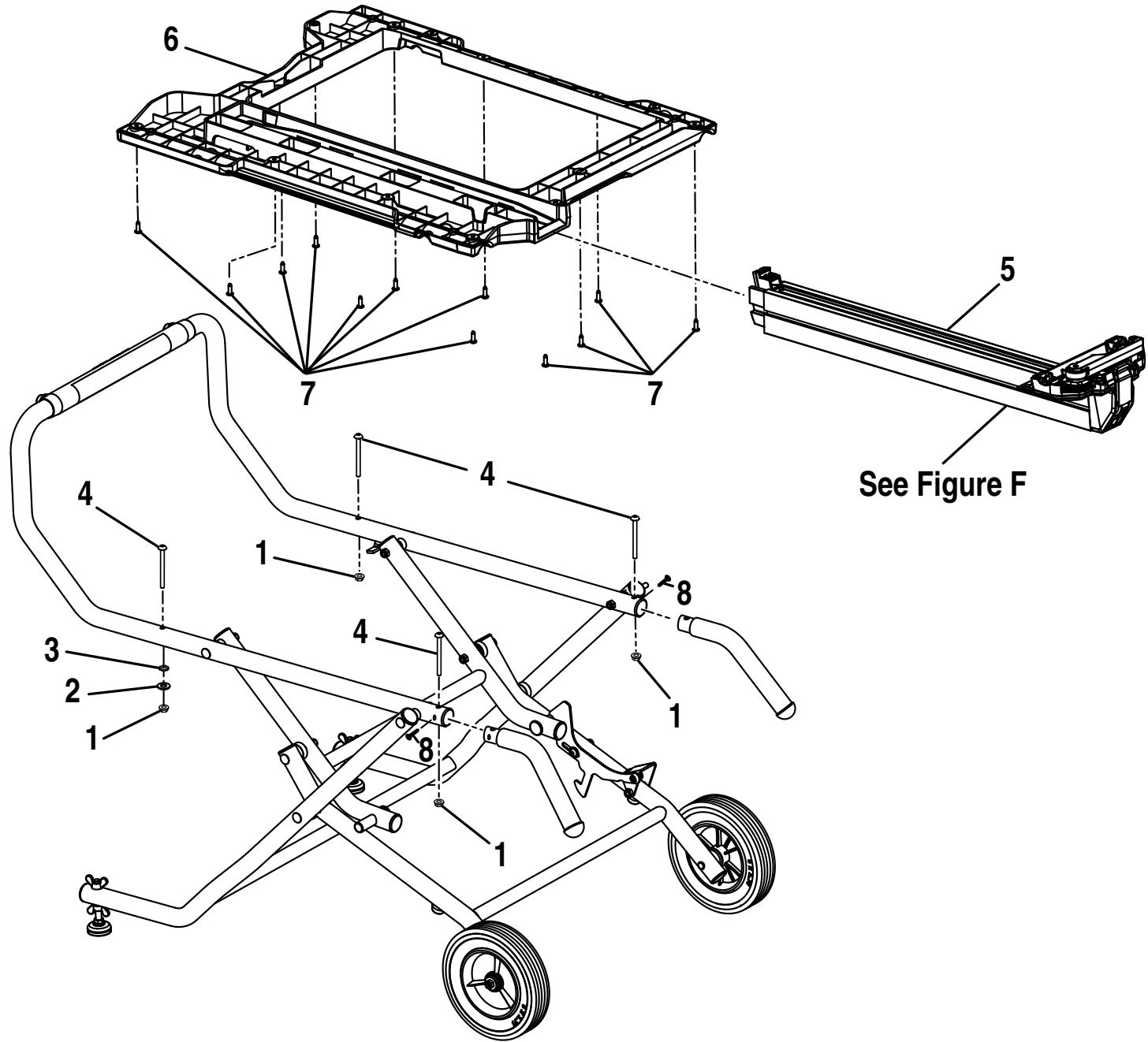


R45101

PARTS LIST FOR FIGURE B/ LISTE DE PIÈCES POUR FIGURE B / LISTA DE PIEZAS DE LA FIGURA B

Table with 10 columns: KEY, P/N, DESCRIPTION, QTY, PIÈCE RÉF., DESCRIPTION, QTÉ, REF. N/P, DESCRIPCIÓN, CANT. It lists various parts like Cabinet, Screws, Miter Gauge, Push Stick, Power Cord, etc., in three columns.

FIGURE C





R45101

PARTS LIST FOR FIGURE C / LISTE DE PIÉCES POUR FIGURE C / LISTA DE PIEZAS DE LA FIGURA C

KEY P/N	DESCRIPTION	QTY	PIÈCE	RÉF.	DESCRIPTION	QTÉ	REF. N/P	DESCRIPCIÓN	CANT.
1 089037004054	Hex Nut (M6).....4	4	1 089037004054		Écrou hexagonal (M6)4	4	1 089037004054	Tuerca hexagonal (M6)4	4
2 089037004016	Washer (D1/4 x D16 x 1t).....1	1	2 089037004016		Rondelle (D1/4 x D16 x 1t)1	1	2 089037004016	Arandela (D1/4 x D16 x 1t)1	1
3 080037004020	Lock Washer (1/4 in.).....1	1	3 080037004020		Rondelle frein (1/4 po).....1	1	3 080037004020	Arandela de fijación (1/4 pulg.).....1	1
4 089037004055	Bolt (M6 x 63 mm, Hex Soc. Hd.) ...4	4	4 089037004055		Boulon (M6 x 63 mm, à tête creuse hexagonale).....4	4	4 089037004055	Perno (M6 x 63 mm, cabeza hueca hexagonal).....4	4
5 089037020706	Rip Fence Assembly.....1	1	5 089037020706		Ensemble de guide longitudinal.....1	1	5 089037020706	Conjunto de la guía de corte al hilo1	1
6 089037004039	Foot Base1	1	6 089037004039		Base de embout.....1	1	6 089037004039	Base con pie.....1	1
7 089037004040	Screw (M5 x 16 mm).....12	12	7 089037004040		Vis (M5 x 16 mm).....12	12	7 089037004040	Tornillo (M5 x 16 mm)12	12
8 089037004304	Screw (M5 x 12 mm).....2	2	8 089037004304		Vis (M5 x 12 mm).....2	2	8 089037004304	Tornillo (M5 x 12 mm)2	2

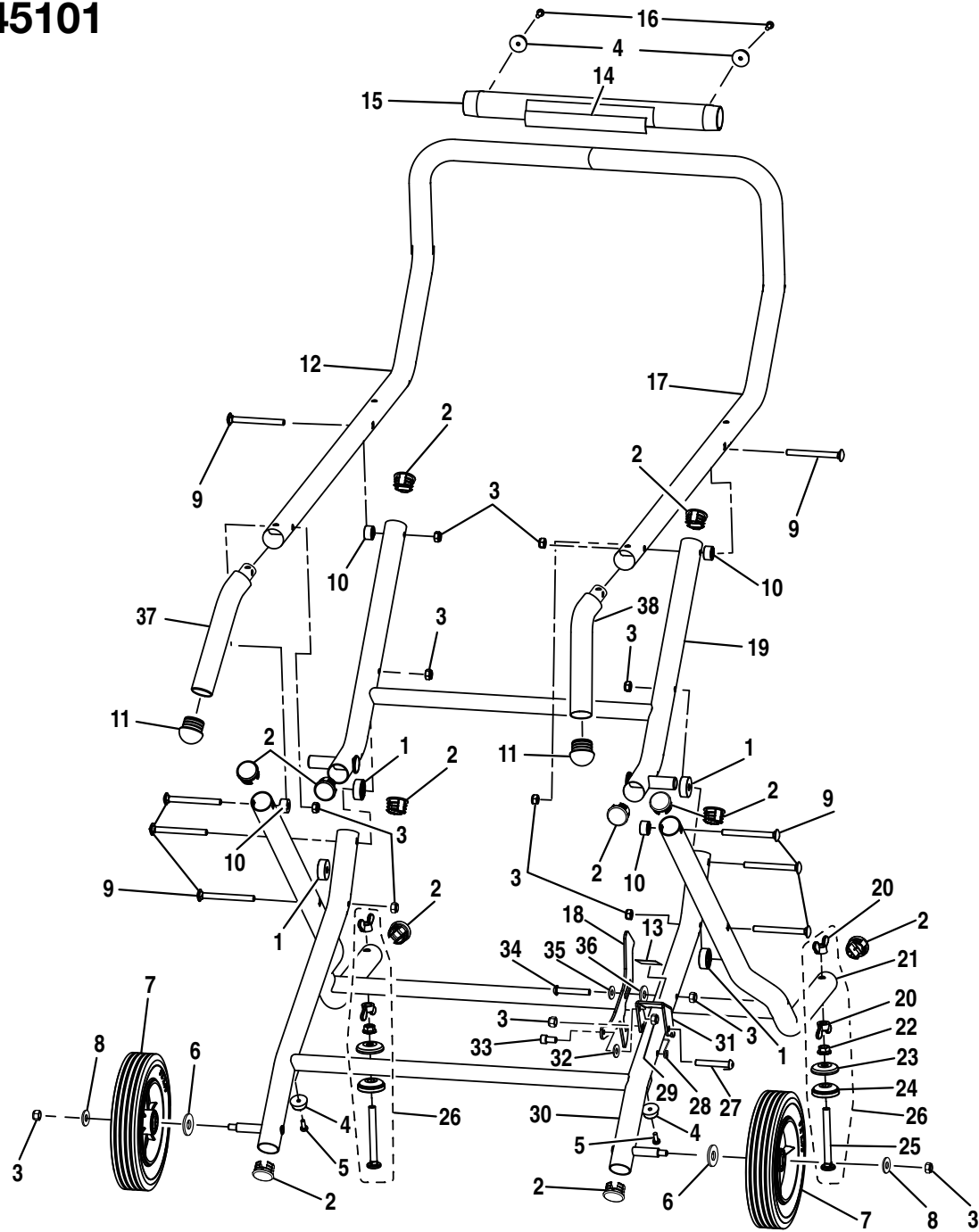


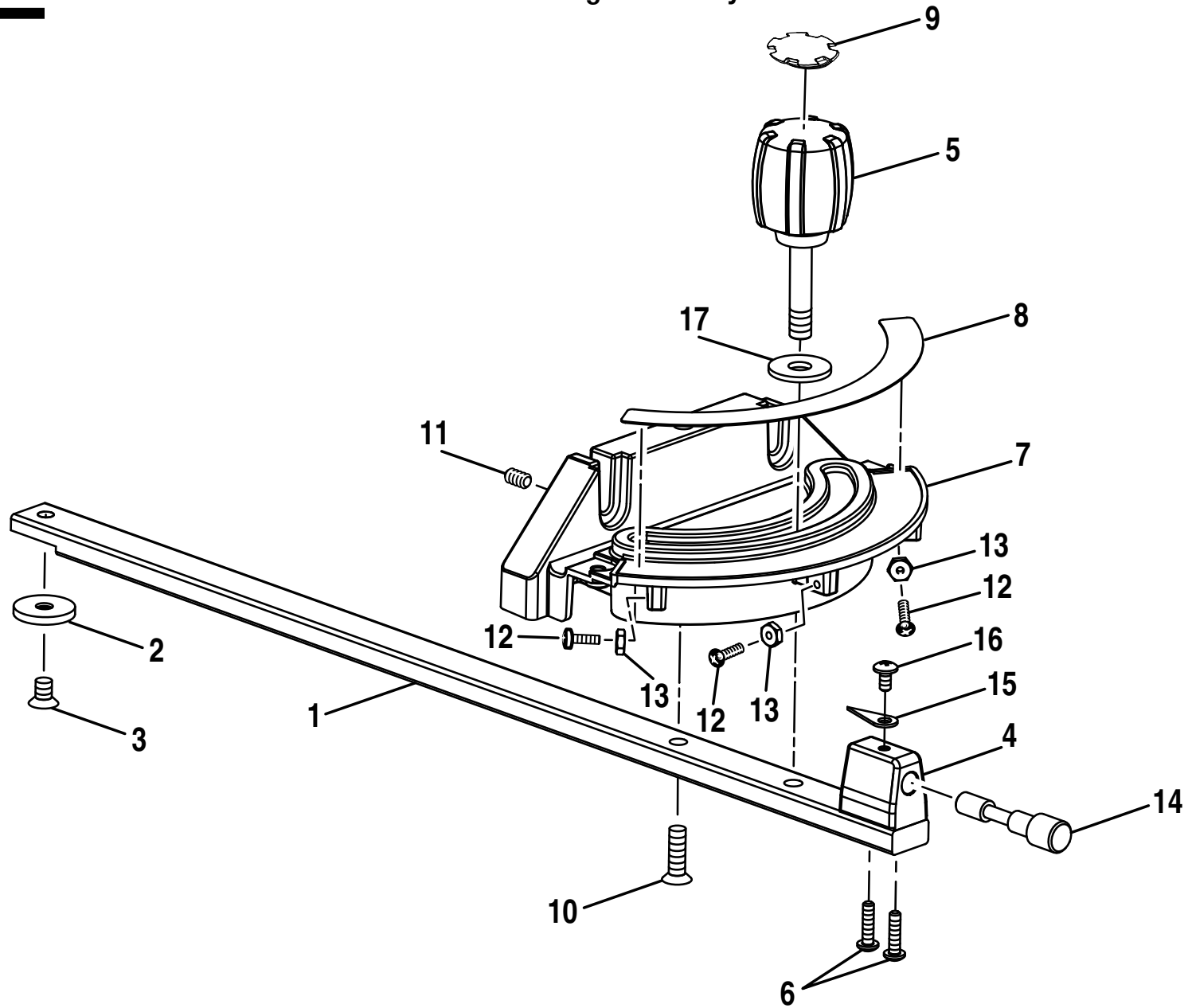
FIGURE D
Stand Assembly



R45101

PARTS LIST FOR FIGURE D

KEY NO.	PART NUMBER	DESCRIPTION	QTY.	KEY NO.	PART NUMBER	DESCRIPTION	QTY.
1	089037004183	Large Spacer	4	22	089037004172	Hex Nut (M10)	2
2	089037004152	End Cap.....	12	23	089037004170	Cap (Support Foot).....	2
3	089037004157	Hex Nut	12	24	089037004169	Support Foot	2
4	089037004166	Rubber Foot	4	25	089037004171	Screw	2
5	089037004167	Screw	2	26	089037004716	Adjustable Foot Assembly (Inc. Key Nos. 20, 22-25).....	2
6	089037004164	Washer	2	27	089037004159	Screw (Hex Soc.).....	1
7	089037004163	Wheel.....	2	28	089037004160	Torsion Spring	1
8	089037004165	Washer	2	29	089037004162	Hex Nut (M6)	1
9	089037004182	Carriage Bolt (M8 x 83 mm)	8	30	089037004151	Front Stand.....	1
10	089037004184	Small Spacer	4	31	089037004158	Foot Pedal	1
11	089037004178	End Cap.....	2	32	089037004016	Washer	1
12	089037004299	Upper Stand (Left).....	1	33	089037004161	Screw (Hex Soc.).....	1
13	080037004901	Foot Pedal Label	1	34	089037004154	Screw (M8 x 50 mm, Hex Soc.).....	1
14	080037004917	Logo Label (MSUV)	1	35	089037004155	Outer Washer	1
15	089037004179	Connection Tube	1	36	089037004156	Inner Washer	1
16	089037004180	Screw	2	37	089037004300	Stand Handle (Left).....	1
17	089037004301	Upper Stand (Right).....	1	38	089037004302	Stand Handle (Right)	1
18	089037004153	Connect Plate.....	1		089037020708	Stand Assembly (Incl. Key Nos. 1-38).....	1
19	089037004174	Center Stand	1				
20	089037004173	Wing Nut (M10).....	4				
21	089037004168	Rear Stand	1				

FIGURE E
Miter Gauge Assembly

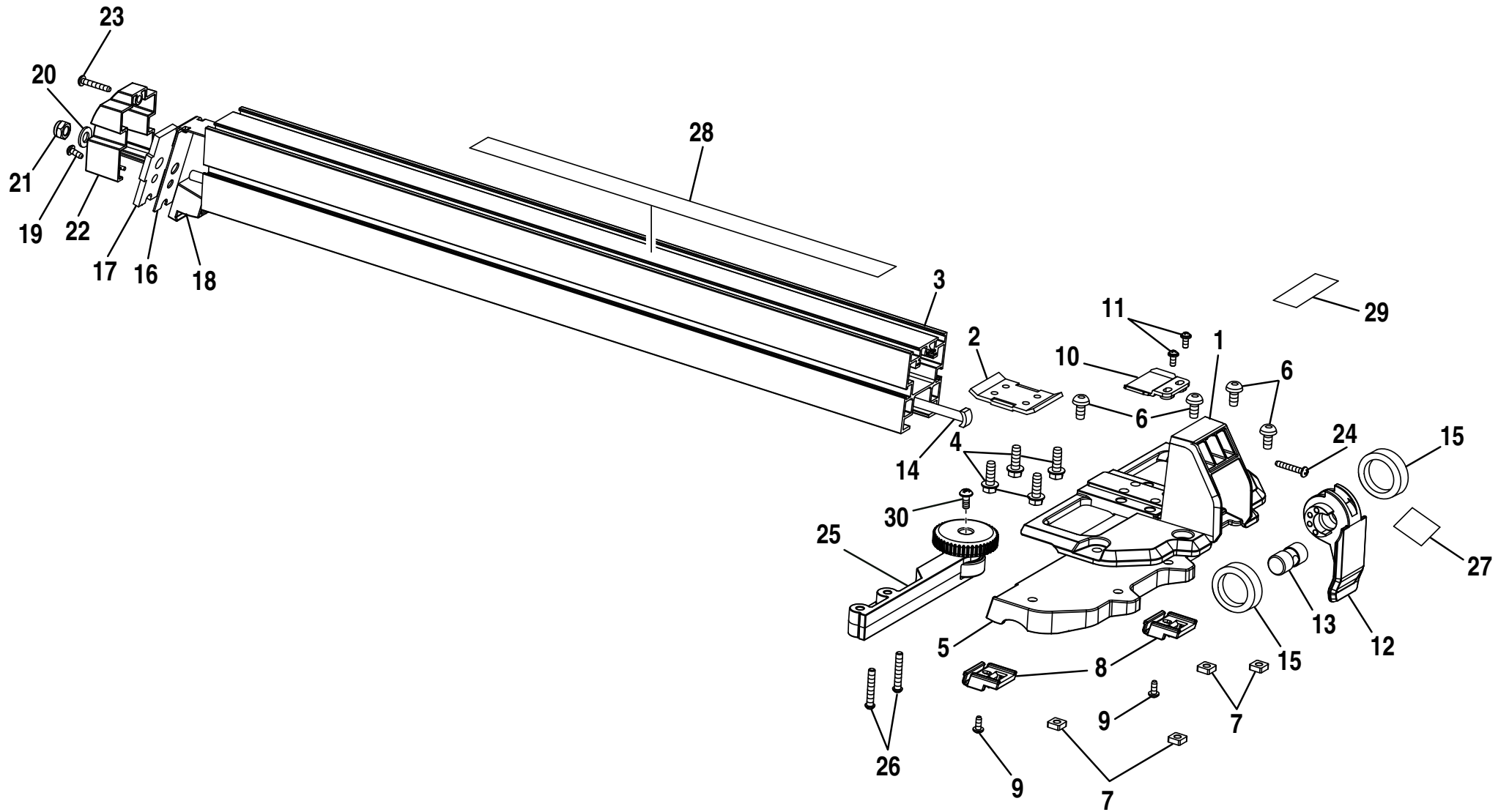


R45101

PARTS LIST FOR FIGURE E / LISTE DE PIÈCES POUR FIGURE E / LISTA DE PIEZAS DE LA FIGURA E

KEY P/N	DESCRIPTION	QTY	PIÈCE RÉF.	DESCRIPTION	QTÉ	REF. N/P	DESCRIPCIÓN	CANT.
1 830350	Miter Gauge Rod	1	1 830350	Tige du guide d'onglet.....	1	1 830350	Varilla guía de ingletes	1
2 830353	Washer	1	2 830353	Rondelle.....	1	2 830353	Arandela.....	1
3 830354	Screw (M6 x 9 mm).....	1	3 830354	Vis (M6 x 9 mm)	1	3 830354	Tornillo (M6 x 9 mm)	1
4 089037004282	Miter Gauge Indicator Block....	1	4 089037004282	Bloc indicateur du guide d'onglet.....	1	4 089037004282	Bloque indicateur de la guía de ingletes	1
5 089037004286	Lock Knob	1	5 089037004286	Bouton de verrouillage.....	1	5 089037004286	Perilla de bloqueo	1
6 089037004050	Screw (M4 x 16 mm).....	2	6 089037004050	Vis (M4 x 16 mm)	2	6 089037004050	Tornillo (M4 x 16 mm)	2
7 089037004125	Miter Gauge	1	7 089037004125	Guide d'onglet	1	7 089037004125	Calibre de inglete.....	1
8 089037004905	Miter Scale Label	1	8 089037004905	Étiquette d'échelle d'onglet....	1	8 089037004905	Etiqueta de escala delInglete ...	1
9 089037004284	End Cap	1	9 089037004284	Capuchon d'extrémité	1	9 089037004284	Tapa del extremo	1
10 818470-4	Screw (M6 x 20 mm).....	1	10 818470-4	Vis (M6 x 20 mm)	1	10 818470-4	Tornillo (M6 x 20 mm)	1
11 818471-6	Set Screw (M5 x 5 mm)	1	11 818471-6	Vis d'arrêt (M5 x 5 mm).....	1	11 818471-6	Tornillo de fijación (M5 x 5 mm).....	1
12 809813-4	Screw (6-32 x 5/8 in.).....	3	12 809813-4	Vis (6-32 x 5/8 po).....	3	12 809813-4	Tornillo (6-32 x 5/8 pulg.)	3
13 134530	Hex Nut (6-32).....	3	13 134530	Écrou hexagonal (6-32).....	3	13 134530	Tuerca hexagonal (6-32)	3
14 830352	Miter Gauge Indicator	1	14 830352	Indicateur du guide d'onglet....	1	14 830352	Indicador de la guía de ingletes	1
15 123069-1	Indicator	1	15 123069-1	Indicateur	1	15 123069-1	Indicador.....	1
16 089037004283	Screw (M4 x 9 mm).....	1	16 089037004283	Vis (M4 x 9 mm)	1	16 089037004283	Tornillo (M4 x 9 mm)	1
17 821063-5	Washer (D8 x D23 x 2t).....	1	17 821063-5	Rondelle (D8 x D23 x 2t).....	1	17 821063-5	Arandela (D8 x D23 x 2t).....	1

FIGURE F Fence Assembly

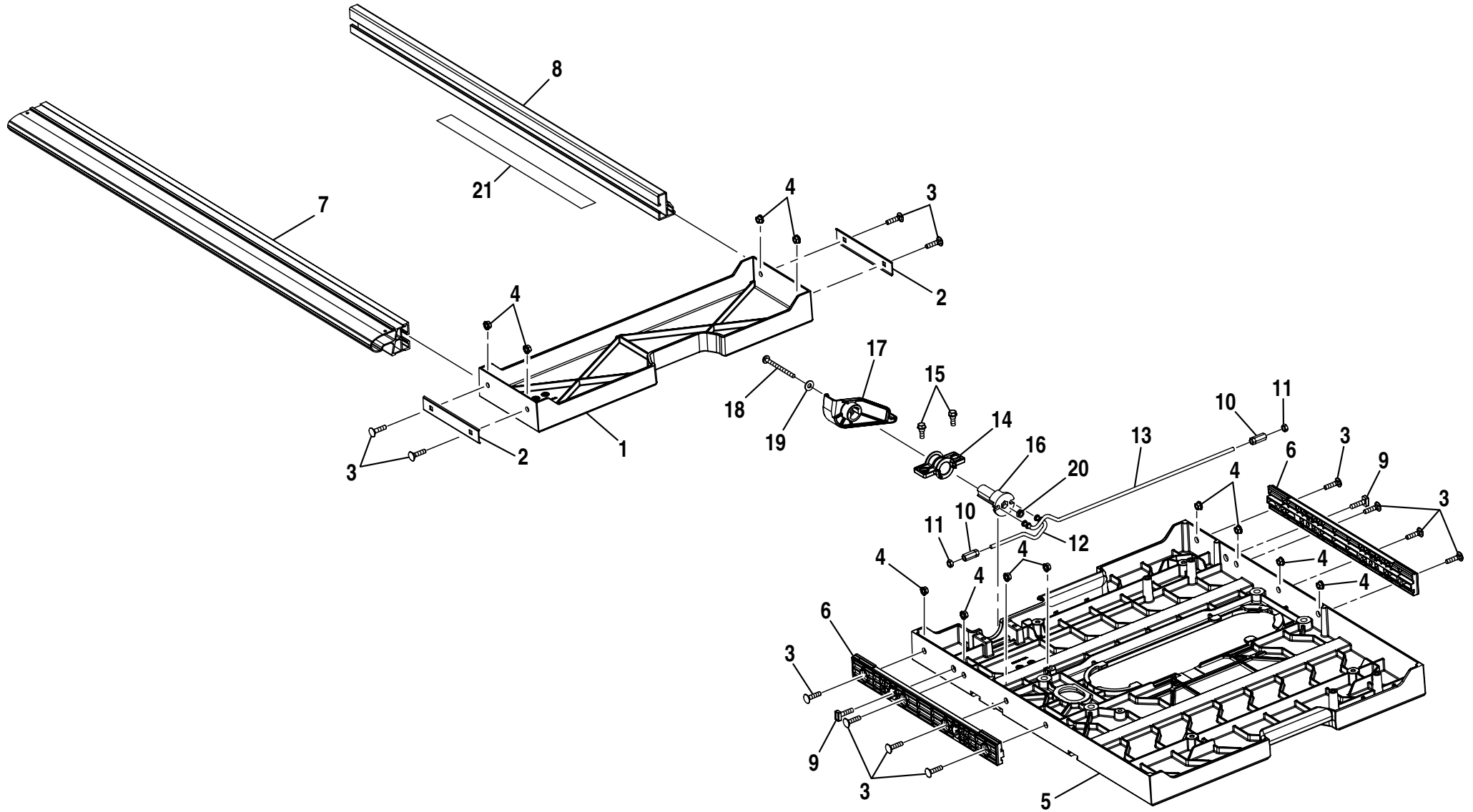




R45101

PARTS LIST FOR FIGURE F

KEY NO.	PART NUMBER	DESCRIPTION	QTY.	KEY NO.	PART NUMBER	DESCRIPTION	QTY.
1	089037004274	Front Block.....	1	16	089037004114	Lock Spring.....	1
2	089037004103	Rip Fence Bracket.....	1	17	089037004115	Lock Plate.....	1
3	089037004104	Rip Fence.....	1	18	089037004116	Rear Rip Fence Slide.....	1
4	089037004105	Screw (M6 x 18 mm, Hex. Hd.).....	4	19	089037004040	Screw (M5 x 16 mm).....	1
5	089037004106	Rip Fence Head.....	1	20	274865	Washer (21/64 in. x 5/8 in. x 1/16t).....	1
6	089037004295	Screw (M6 x 13 mm, Soc. Hex. Hd.).....	4	21	820129	Hex Nut (5/16).....	1
7	089037004108	Square Nut (M6).....	4	22	089037004117	Rear Channel Cap.....	1
8	089037004109	Slide Fence Head.....	2	23	089037004118	Screw (M4 x 25 mm).....	1
9	089037004110	Screw (M5 x 10 mm).....	2	24	089037004119	Screw (M4 x 15 mm).....	1
10	089037004111	Indicator.....	1	25	089037004715	Micro-Adjust Assembly.....	1
11	089037004022	Screw (M4 x 10 mm, Pan Hd.).....	2	26	089037004123	Screw (M5 x 30 mm).....	2
12	089037004112	Locking Lever.....	1	27	089037004910	Fence Logo Label.....	1
13	089037004113	Cam Pin.....	1	28	089037004911	Instruction Label (Fence).....	1
14	824342-1	Fence Lock Rod.....	1	29	089037004909	Micro-Adjustment Label.....	1
15	089037004292	Ball Bearing Angular Contact.....	2	30	089037004006	Screw (M4 x 12 mm).....	1



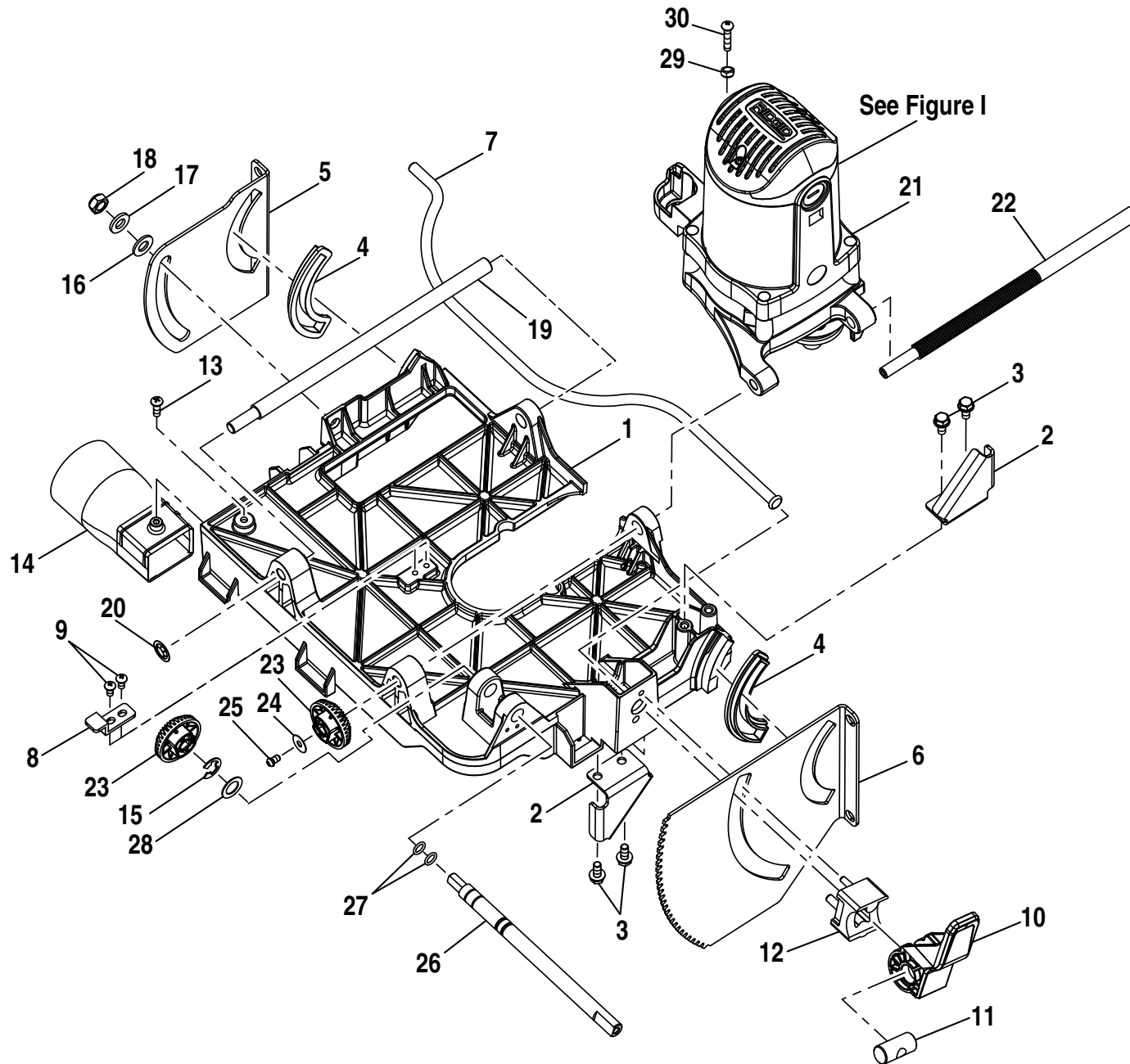


R45101

PARTS LIST FOR FIGURE G / LISTE DE PIÉCES POUR FIGURE G / LISTA DE PIEZAS DE LA FIGURA G

KEY	P/N	DESCRIPTION	QTY	PIÈCE	RÉF.	DESCRIPTION	QTÉ	REF.	N/P	DESCRIPCIÓN	CANT.
1	089037004056	Extension Table.....	1	1	089037004056	Rallonge de table.....	1	1	089037004056	Mesa de extensión.....	1
2	827518	Extension Rail Mount.....	2	2	827518	Support de rallonge barre.....	2	2	827518	Montaje de extensiones riel.....	2
3	089037004057	Carriage Bolt (1/4-20 x 1 in.).....	12	3	089037004057	Boulon de carrossier (1/4-20 x 1 po).....	12	3	089037004057	Perno de carruaje (1/4-20 x 1 pulg.).....	12
4	089037004058	Hex Nut (1/4-20).....	12	4	089037004058	Écrou hexagonal (1/4-20).....	12	4	089037004058	Tuerca hexagonal (1/4-20).....	12
5	089037004059	Saw Table.....	1	5	089037004059	Table de la scie.....	1	5	089037004059	Mesa de la sierra.....	1
6	089037004060	Rail Slider.....	2	6	089037004060	Glisse de barre.....	2	6	089037004060	Corredera del riel.....	2
7	089037004063	Front Rail.....	1	7	089037004063	Rail avant.....	1	7	089037004063	Riel delantero.....	1
8	089037004064	Rear Rail.....	1	8	089037004064	Rail arrière.....	1	8	089037004064	Riel trasero.....	1
9	827463	T-Bolt (1/4-20 x 1 in.).....	2	9	827463	Boulon « T » (1/4-20 x 1 po).....	2	9	827463	Perno de "T" (1/4-20 x 1 pulg.).....	2
10	827482	Coupling (1/4-20).....	2	10	827482	Connexion (1/4-20).....	2	10	827482	Acoplamiento (1/4-20).....	2
11	089037004216	Hex Nut (1/4-20).....	2	11	089037004216	Écrou hexagonal (1/4-20).....	2	11	089037004216	Tuerca hexagonal (1/4-20).....	2
12	827515	Front Locking Link.....	1	12	827515	Maillon de verrouillage avant.....	1	12	827515	Eslabón de fijación delantero.....	1
13	827515-1	Rear Locking Link.....	1	13	827515-1	Maillon de verrouillage arrière.....	1	13	827515-1	Eslabón de fijación trasero.....	1
14	830377	Lock Bearing (Rear).....	1	14	830377	Roulement de blocage (arrière).....	1	14	830377	Cojinete del bloqueo (trasero).....	1
15	089037004061	Screw (M6 x 24 mm, Hex Hd.).....	2	15	089037004061	Vis (M6 x 24 mm, six pans).....	2	15	089037004061	Tornillo (M6 x 24 mm, cab. hex.)... 2	
16	827523	Pivot Linkage.....	1	16	827523	Lien pivot.....	1	16	827523	Pivote de conexión.....	1
17	089037004062	Table Extension Lock Lever.....	1	17	089037004062	Levier verrouillage du rallonge table.....	1	17	089037004062	Palanca de fijación de la extensión de la mesa.....	1
18	813051-5	Screw (1/4-20 x 2-3/4 in.).....	1	18	813051-5	Vis (1/4-20 x 2-3/4 po).....	1	18	813051-5	Tornillo (1/4-20 x 2-3/4 pulg.).....	1
19	805552	Washer (17/64 in. x 5/8 in. x 1/16t).....	1	19	805552	Rondelle (17/64 po x 5/8 po x 1/16t).....	1	19	805552	Arandela (17/64 pulg. x 5/8 pulg. x 1/16t)....	1
20	274205	Lock Nut (1/4-20).....	1	20	274205	Écrou frein (1/4-20).....	1	20	274205	Tuerca de seguridad (1/4-20).....	1
21	089037004915	Warning Label (Extension Table)...	1	21	089037004915	Étiquette d'avertissement (rallonge de table).....	1	21	089037004915	Etiqueta de advertencia (mesa de extensión).....	1

FIGURE H Motor Bracket Assembly



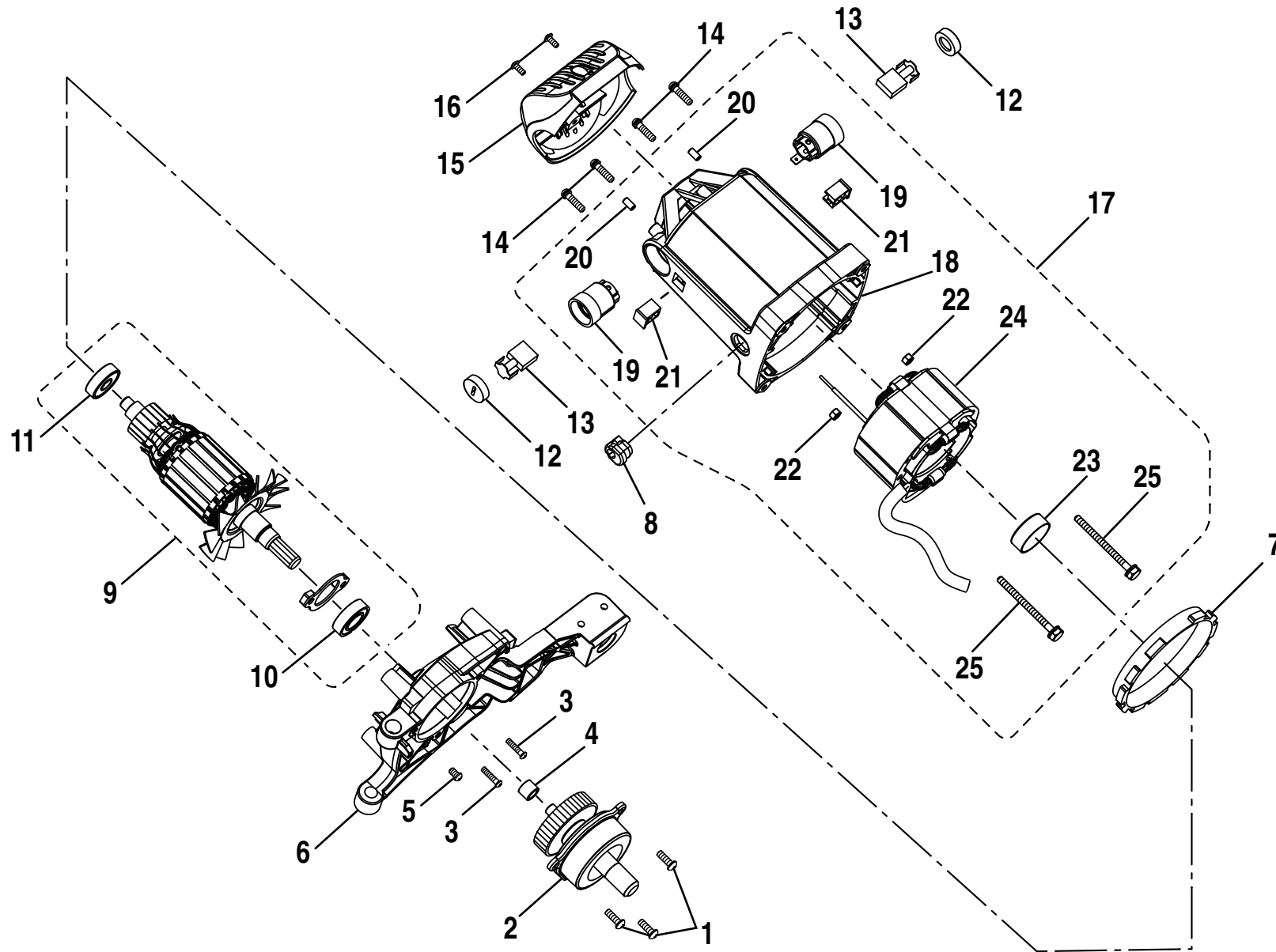


R45101

PARTS LIST FOR FIGURE H / LISTE DE PIÉCES POUR FIGURE H / LISTA DE PIEZAS DE LA FIGURA H

Table with 11 columns: KEY, P/N, DESCRIPTION, QTY, PIÈCE, RÉF., DESCRIPTION, QTÉ, REF. N/P, DESCRIPCIÓN, CANT. It lists various mechanical parts such as Motor Bracket, Bevel Stop Plate, Screw, Trunnion, Rear Mount, Front Mount, Locking Bar, Stopper, Bevel Locking Lever, Bevel Pivot, Bevel Clamp Assembly, Dust Chute, Retaining Ring, Washer, Hex Nut, Upper/Lower Slide Rod, Push Nut, Motor Assembly, Elevation Crank Shaft, Elevation Gear, Washer, Screw, Bevel Adjustment Arm, O-Ring, Washer, Hex Nut, and Screw.

FIGURE I Motor Assembly





R45101

PARTS LIST FOR FIGURE I

KEY NO.	PART NUMBER	DESCRIPTION	QTY.	KEY NO.	PART NUMBER	DESCRIPTION	QTY.
1	089037004249	Set Screw (M5 x 15 mm)	3	18	089037004085	Motor Housing.....	1
2	089037020716	Arbor Shaft Assembly	1	19	089037004086	Brush Holder	2
3	089037004238	Set Screw (M4 x 18 mm)	2	20	089037004087	Set Screw (M5 x 10 mm)	2
4	089037004232	Ball Bearing (HK0910)	1	21	089037004239	Holder (Hex Nut).....	2
5	089037004206	Screw (M5 x 8 mm)	1	22	089037004240	Hex Nut (M5)	2
6	089037004084	Gear Box	1	23	089037004088	Bearing Cap	1
7	089037004242	Retaining Ring	1	24	089037020002	Field.....	1
8	089037004025	Strain Relief	1	25	089037004241	Screw (M5 x 65 mm, Hex Hd.)	2
9	089037004712	Armature Assembly (Inc. Key Nos. 10-11)	1	NOT SHOWN:			
10	089037004236	Ball Bearing (6002ZLU CM).....	1	089037004275	Hex Key (M5)	1	
11	089037004237	Ball Bearing (6200ZZ).....	1	089037004276	Hex Key (M4)	1	
12	830250	Brush Cap	2	089037004277	Hex Key (M2.5).....	1	
13	089037004271	Brush Assembly	2	AC31DP1	Dado Throat Plate	1	
14	089037004243	Set Screw (M5 x 25 mm)	4	987000342	Operator's Manual.....	1	
15	089037004272	Motor End Cap.....	1	990000169	Repair Sheet (R45101)	1	
16	828122-1	Screw (M4 x 10 mm)	2	11-7-12 (Rev:02)			
17	089037020704	Motor Housing w/Field Assembly (Inc. Key Nos. 18-25).....	1				