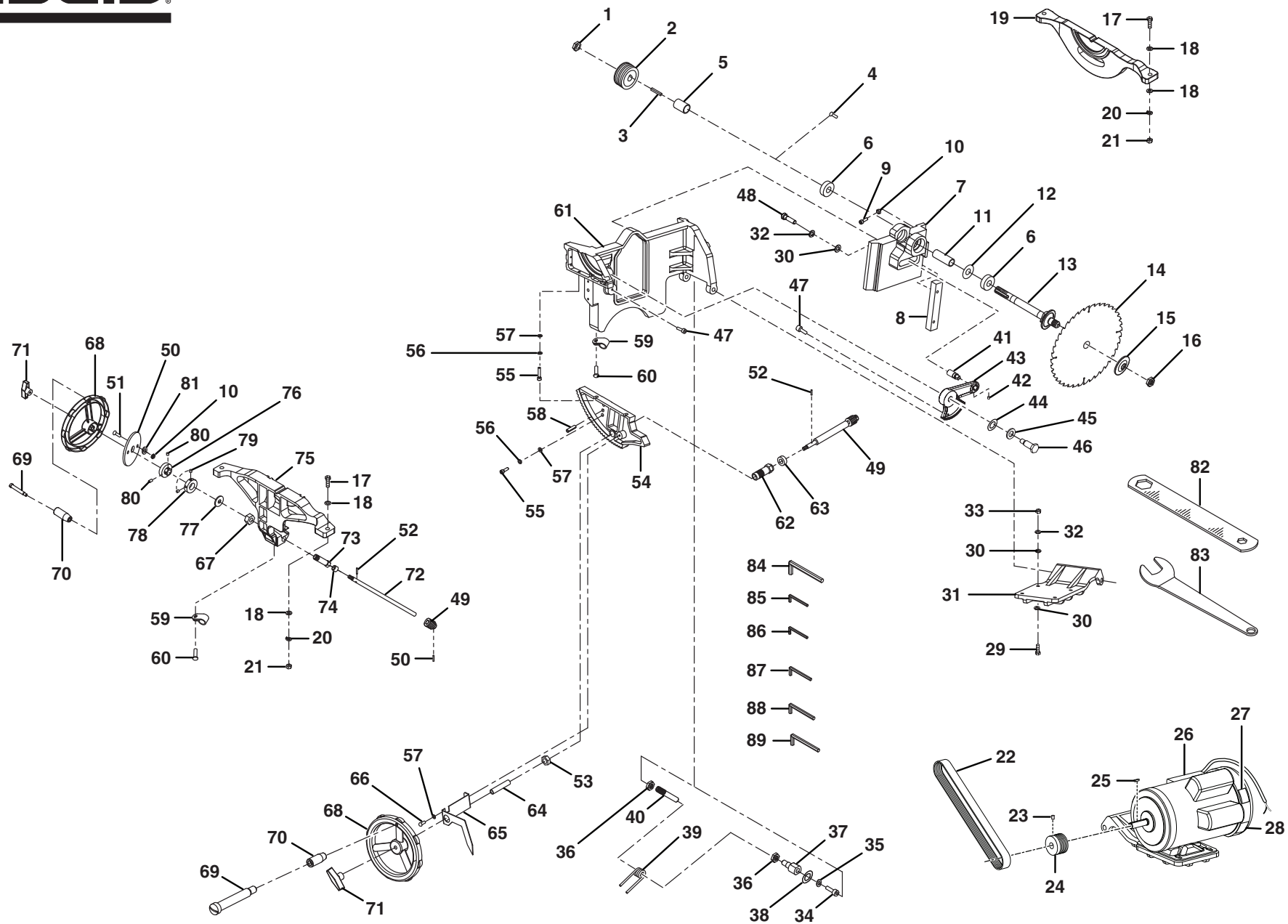




R4511

PARTS LIST FOR FIGURE A

Key No.	Part Number	Description	Qty.	Key No.	Part Number	Description	Qty.
1	089037005700	Blade Guard Assembly (Inc. Key Nos. 2-3).....	1	35	089037005059	Washer (M8).....	6
2	089037005900	Warning Label.....	1	36	089037005060	Support Rail ("T" Block).....	4
3	089037005901	No Hands Label.....	1	37	089037005061	Set Screw (M8 x 15 mm).....	8
4	089037005701	Spreader Mount Support Assembly (Inc. Key Nos. 5-13).....	1	38	089037005706	Switch Assembly (Inc. Key Nos. 39 and 41-51).....	1
5	089037005015	Pin (Special).....	1	39	089037005062	Switch w/Key (Inc. Key No. 40).....	1
6	089037005016	Spring.....	1	40	089030005099	Switch Key.....	1
7	089037005017	Blade Guard Support.....	1	41	089037005063	Screw (M4 x 25 mm Round Hd.).....	4
8	089037005018	Screw.....	1	42	089037005064	Switch Cover.....	1
9	089037005019	Hand Grip.....	1	43	089037005065	Switch Box.....	1
10	089037005020	Washer.....	1	44	089037005066	Screw (M4 x 16 mm Round Hd.).....	4
11	089037005021	Screw (M4 x 18 mm Hex Soc. Hd.).....	4	45	089037005067	Switch Support Bracket.....	1
12	089037005022	Lock Washer (M4).....	4	46	089037005068	Screw (M6 x 16 mm Hex Soc. Hd.).....	2
13	089037005023	Spreader Mount Support.....	1	47	089037005069	Hex Nut (M5).....	2
14	089037005024	Washer (M6).....	4	48	089037005070	External Tooth Washer (M5).....	4
15	089037005025	Lock Washer (M6).....	4	49	089037005256	Screw (M5 x 12 mm Pan Hd.).....	2
16	089037005026	Screw (M6 x 20 mm Hex Soc. Hd.).....	2	50	089037005074	Bend Relief.....	2
17	089037005702	Throat Plate Assembly.....	1	51	089037005075	Power Cord.....	1
18	089037005027	Set Screw (1/4-28 x 3/8 in.).....	5	52	089037005707	Miter Gauge Assembly (Inc. Key Nos. 26 and 53-68).....	1
19	089037005031	Screw (Cheese Hd.).....	3	53	089037005076	Miter Gauge Body.....	1
20	089037005703	Table Assembly.....	1	54	089037005077	Washer (Special).....	1
21	089037005041	Set Screw (M8 x 30 mm).....	1	55	089037005078	Screw (Special).....	2
22	089037005042	Set Screw (M8 x 40 mm).....	1	56	089037005079	Miter Gauge Rod.....	1
23	089037005043	Lock Washer (M5).....	2	57	089037005080	Set Screw (M4 x 16 mm).....	4
24	089037005044	Throat Plate Bracket.....	1	58	089037005081	Pin (1/4 in. x 3/4 in.).....	1
25	089037005045	Screw (M5 x 15 mm Hex Soc. Hd.).....	2	59	089037005082	Screw (M4 x 10 mm Pan Hd.).....	2
26	089037005046	Washer (Special).....	5	60	089037005083	Washer (M4).....	2
27	089037005047	Ground Bond Strap.....	1	61	089037005084	Plunger.....	1
28	089037005048	External Tooth Washer (M8).....	1	62	089037005085	Plunger Block.....	1
29	089037005049	Lock Washer (M8).....	10	63	089037005086	Scale Indicator.....	1
30	089037005050	Screw (5/16-18 x 1 in. Hex Soc. Hd.).....	4	64	089037005087	Screw (M4 x 15 mm Pan Hd.).....	1
31	089037005704	Right Table Extension.....	1	65	089037005088	Screw (M4 x 20 mm Pan Hd.).....	3
32	089037005705	Left Table Extension.....	1	66	089037005089	Hex Nut (M4).....	3
33	089037005057	Hex Nut (5/16-18).....	6	67	089037005902	Miter Scale.....	1
34	089037005058	Threaded Stud (5/16-18 x 2 in.).....	6	68	089037005091	Miter Gauge Lock Knob.....	1

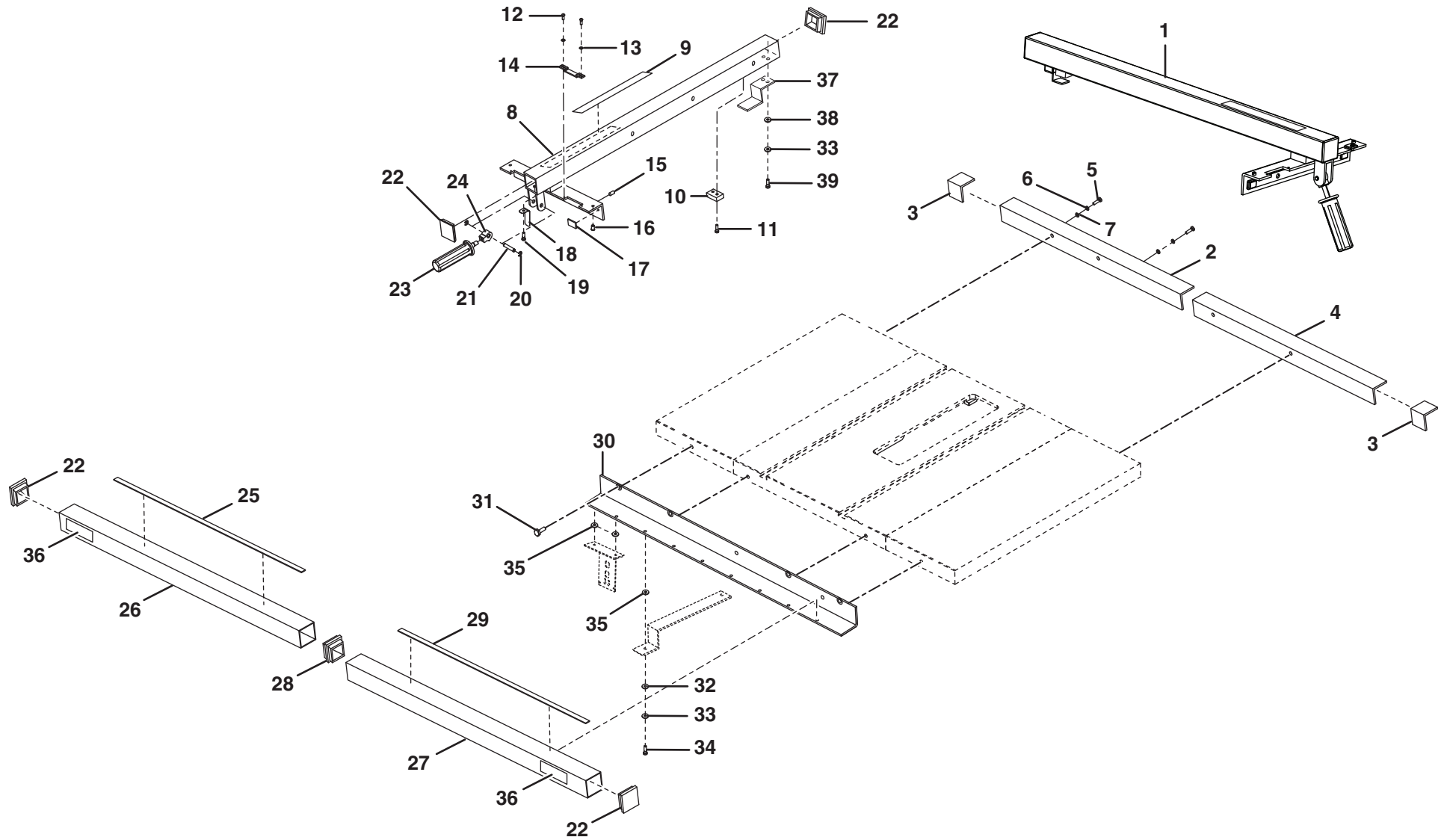




R4511

PARTS LIST FOR FIGURE B

Key No.	Part Number	Description	Qty.	Key No.	Part Number	Description	Qty.
1	089037005092	Nut (5/8-18)	1	46	089037005132	Elevating Pivot Bolt	1
2	089037005093	Arbor Pulley	1	47	089037005133	Screw (M6 x 10 mm Hex Hd.)	2
3	089037005094	Key (5 x 5 x 15)	1	48	089037005134	Screw (M8 x 30 mm Hex Hd.)	2
4	089037005095	Screw (M5 x 12 mm Pan Hd.)	3	49	089037005709	Elevating Shaft Assembly	1
5	089037005096	Spacer	1	50	089037005162	Tilt Bracket	1
6	089037005097	Ball Bearing (6004 2z)	2	51	089037005163	Screw (M5 x 25 mm Rd. Hd.)	2
7	089037005098	Arbor Lift Support Bracket	1	52	089037005072	Spring Pin (M4 x 22 mm)	2
8	089037005099	GIB (Guide)	1	53	089037005138	Hex Nut	1
9	089037005100	Screw (M5 x 25 mm Hex Hd.)	2	54	089037005139	Front Bracket	1
10	089037005069	Hex Nut (M5)	4	55	089037005026	Screw (M6 x 20 mm Hex Soc. Hd.)	4
11	089037005101	Arbor Sleeve	1	56	089037005025	Lock Washer (M6)	4
12	089037005102	Wavy Washer	1	57	089037005024	Washer (M6)	5
13	089037005103	Arbor Shaft	1	58	089037005141	Spring Pin (M8 x 30 mm)	1
14	089037005104	Blade (10 in. x 40T)	1	59	089030005107	Cord Clamp	2
15	089037005105	Outer Blade Washer	1	60	089037005071	Screw (M5 x 8 mm)	2
16	089037005106	Blade Nut (Right Hand Threads)	1	61	089037005142	Trunnion	1
17	089037005107	Screw (M10 x 45 mm Hex Hd.)	4	62	089037005143	Raise and Lower Sleeve	1
18	089037005108	Washer (M10)	8	63	089037005144	Special Sleeve	1
19	089037005109	Rear Bracket	1	64	089037005145	Raise and Lower Spacer	1
20	089037005110	Lock Washer (M10)	4	65	089037005146	Bevel Indicator	1
21	089037005111	Hex Nut (M10)	4	66	089037005147	Screw (M6 x 16 mm Cheese Hd.)	1
22	089037005112	V-Belt (29.5 in., 6 rib)	1	67	089037005164	Lock Nut (9/16-18)	1
23	089037005113	Set Screw (M5 x 12 mm)	1	68	089037005148	Handwheel	2
24	089037005114	Motor Pulley	1	69	089037005149	Handle Screw	2
25	089037005115	Key (5 x 5 x 36)	1	70	089037005150	Handle Sleeve	2
26	089037005708	Motor Assembly (Inc. Key Nos. 27-28)	1	71	089037005151	Lock Knob	2
27	089037005903	Motor Specification Label	1	72	089037005152	Tilt Shaft	1
28	089037005920	Power Connect Label	1	73	089037005153	Eccentric	1
29	089037005117	Screw (M8 x 30 mm Hex Hd.)	4	74	089037005154	Sleeve	1
30	089037005059	Washer (M8)	10	75	089037005155	Front Bracket	1
31	089037005118	Motor Support Bracket	1	76	089037005156	Tilt Collar	1
32	089037005049	Lock Washer (M8)	6	77	089037005157	Fiber Washer (3/8 in. x 2t)	1
33	089037005119	Hex Nut (M8)	4	78	089037005158	Collar	1
34	089037005120	Screw (M8 x 10 mm Hex Hd.)	1	79	089037005159	Set Screw (1/4-20 x 1/4 in.)	2
35	089037005121	Washer (M8)	1	80	089037005160	Set Screw (M6 x 8 mm)	2
36	089037005122	Lock Nut (1/2-13)	2	81	089037005161	Washer (M5)	2
37	089037005123	Motor Mount Stud	1	82	089037005165	Closed End Blade Wrench (1/2 in x 7/8 in.)	1
38	089037005124	Wavy Washer	1	83	089037005166	Open End Blade Wrench	1
39	089037005125	Torsion Spring	1	84	089037005171	6 mm Hex Key	1
40	089037005126	Stud	1	85	089037005172	1/8 in. Hex Key	1
41	089037005127	Elevation Pin	1	86	089037005167	2.5 mm Hex Key	1
42	089037005128	Set Screw (M6 x 8 mm)	1	87	089037005168	3 mm Hex Key	1
43	089037005129	Pivot Bracket	1	88	089037005169	4 mm Hex Key	1
44	089037005130	Wavy Washer	1	89	089037005170	5 mm Hex Key	1
45	089037005131	Washer (Special)	1				

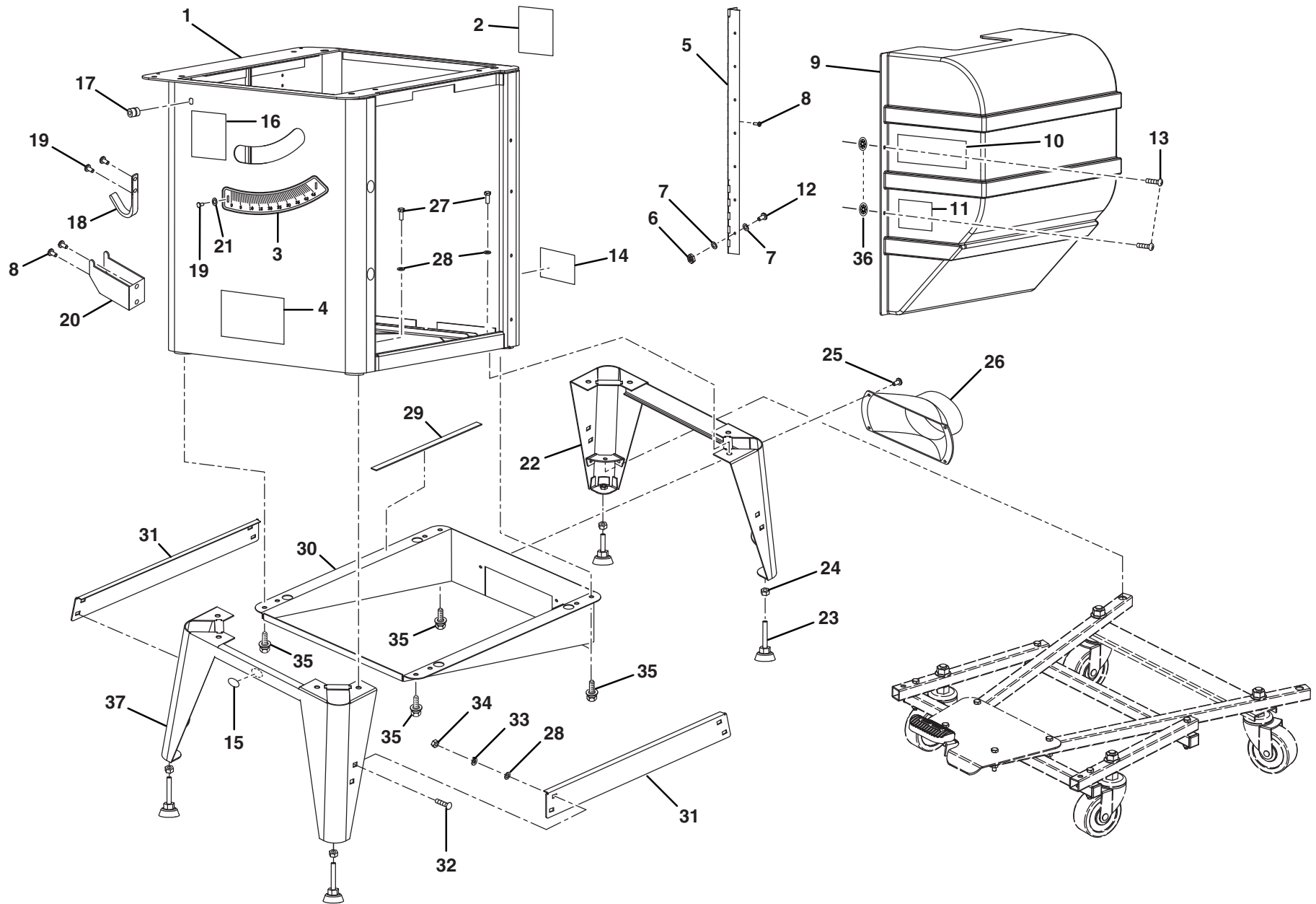




R4511

PARTS LIST FOR FIGURE C

Key No.	Part Number	Description	Qty.	Key No.	Part Number	Description	Qty.
1	089037005711	Rip Fence Assembly (Inc. Key Nos. 8-24, 33 and 37-39).....	1	20	089037005186	Retaining Ring.....	2
2	089037005173	Left Rear Rail.....	1	21	089037005187	Handle Pivot Shaft.....	1
3	089037005174	Rear Rail Cover.....	2	22	089037005188	End Cap.....	4
4	089037005175	Right Rear Rail.....	1	23	089037005189	Locking Handle.....	1
5	089037005176	Bolt (5/16-18 x 5/8 in. Hex Hd.).....	4	24	089037005190	Cam Clamp.....	1
6	089037005049	Lock Washer (M8).....	4	25	089037005904	Left Scale (20 in. Capacity).....	1
7	089037005059	Washer (M8).....	4	26	089037005191	Left Front Rail.....	1
8	089037005177	Rip Fence.....	1	27	089037005192	Right Front Rail.....	1
9	089037005921	Warning Label (Fence Debris).....	1	28	089037005193	Rail Connector.....	1
10	089037005178	Pad.....	1	29	089037005905	Right Scale (30 in. Capacity).....	1
11	089037005179	Screw (M6 x 15 Hex Soc. Hd.).....	2	30	089037005194	Front Rail Holder.....	1
12	089037005082	Screw (M4 x 10 Pan Hd.).....	4	31	089037005195	Screw (5/16-18 x 5/8 in. Flat Hd.).....	4
13	089037005083	Washer (M4).....	4	32	089037005140	Washer (M6).....	8
14	089037005180	Scale Indicator.....	2	33	089037005025	Lock Washer (M6).....	10
15	089037005181	Set Screw (M8 x 8 mm).....	2	34	089037005196	Screw (M6 x 16 mm Hex Soc. Hd.).....	8
16	089037005182	Screw (Special).....	2	35	089037005048	External Tooth Washer (M8).....	3
17	089037005183	Spacer (Support Washer).....	2	36	089037005918	Warning Label (English).....	2
18	089037005184	Tension Clip.....	1	37	089037005253	Rear Clamp.....	1
19	089037005185	Screw (M6 x 12 mm Pan Hd.).....	1	38	089037005024	Washer (M6).....	2
				39	089037005133	Screw (M6 x 10 mm Hex Hd.).....	2

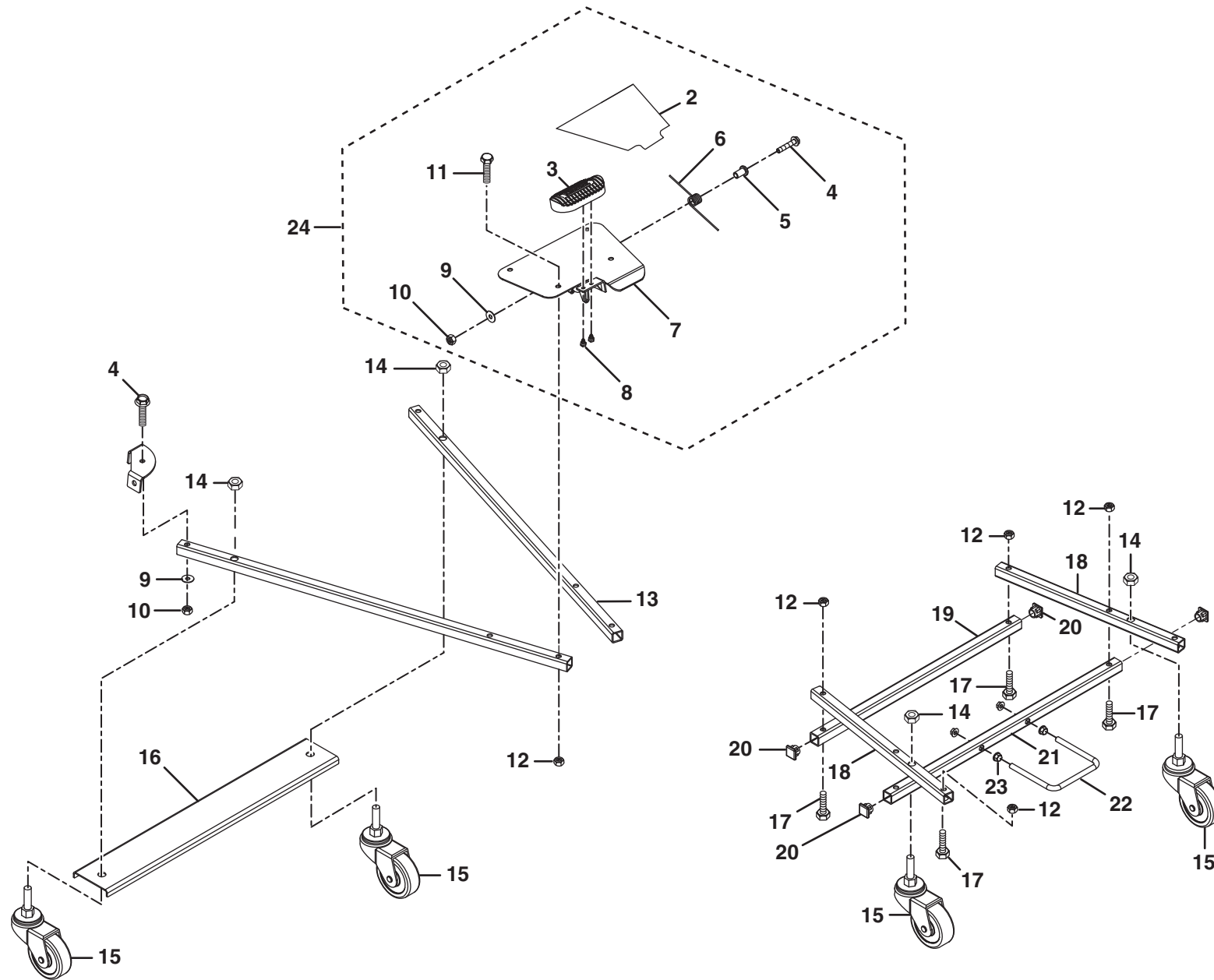




R4511

PARTS LIST FOR FIGURE D

Key No.	Part Number	Description	Qty.	Key No.	Part Number	Description	Qty.
1	089037005225	Cabinet Assembly	1	20	089037005236	Rip Fence Bracket	2
2	089037005907	Data Label	1	21	089037005083	Washer (M4)	2
3	089037005908	Bevel Scale	1	22	089037005237	Rear Leg Brace	1
4	089037005909	Logo Label	1	23	089037005238	Leveling Foot	4
5	089037005226	Hinge.....	1	24	089037005119	Hex Nut (M8)	4
6	089037005069	Hex Nut (M5)	4	25	089037005239	Screw (1/4-20 x 1/2 in. Rd. Hd.)	4
7	089037005227	Washer (M5).....	8	26	089037005240	Dust Port	1
8	089037005228	Screw (1/4-20 x 3/8 in. Rd. Hd.)	7	27	089037005241	Screw (M8 x 16 Hex Hd.)	8
9	089037005229	Motor Cover.....	1	28	089037005059	Washer (M8)	8
10	089037005910	Warning Label (Motor Cover)	1	29	089037005242	Rubber Gasket.....	2
11	089037005911	Warning Label (French/Spanish)	1	30	089037005243	Dust Chute Assembly (Inc. Key No. 29).....	1
12	089037005230	Screw (M5 x 15 mm Pan Hd.)	4	31	089037005244	Side Brace.....	2
13	089037005231	Screw (M5 x 12 mm Pan Hd.)	2	32	089037005245	Carriage Bolt (5/16-18 x 5/8 in.).....	8
14	089037005922	Warning Label (Dust Chute)	1	33	089037005246	Lock Washer (5/16 in.)	8
15	089037005923	Front Leg Label	1	34	089037005247	Hex Nut (5/16-18).....	8
16	089037005919	Blade Function Label	1	35	089037005249	Screw w/Washer (M6 x 12 mm Pan Hd.)	4
17	089037005233	Bend Relief.....	1	36	089037005255	Retaining Clip.....	2
18	089037005234	Wrench Holder	1	37	089037005250	Front Leg Brace	1
19	089037005235	Screw (M4 x 8 mm)	4				





R4511

PARTS LIST FOR FIGURE E

Key No.	Part Number	Description	Qty.
1	089037005712	Herc-u-lift® Mobile Base Assembly (Inc. Key Nos. 2-23)	1
2	089037005906	Pedal Label	1
3	089037005198	Foot Pad	1
4	089037005199	Bolt w/Lock Washer (M6 x 40 mm Hex Hd.).....	5
5	089037005200	Bushing	1
6	089037005201	Torsion Spring	1
7	089037005713	Unlock Pedal Assembly	1
8	089037005205	Screw (M4.8 Pan Hd.)	2
9	089037005206	Washer (M6)	5
10	089037005207	Hex Nut (M6)	5
11	089037005208	Bolt w/Lock Washer (M6 x 35 mm Hex Hd.).....	4
12	089037005209	Hex Flange Nut (M6)	8
13	089037005210	Rear Tube.....	2
14	089037005211	Hex Flange Nut (M12)	4
15	089037005212	Caster.....	4
16	089037005213	Center Brace.....	1
17	089037005217	Bolt w/Washers (M6 x 50 mm Hex Hd.).....	4
18	089037005218	Front Tube.....	2
19	089037005219	Tube Support	1
20	089037005220	End Cap	4
21	089037005221	"U" Bolt Tube	1
22	089037005222	"U" Bolt	1
23	089037005223	Hex Flange Nut (M8)	4
24	089037005714	Pedal Assembly (Inc. Key Nos. 2-11).....	1
	987000368	Operator's Manual (089037005913)	
	3-25-10		
	(Rev:04)		