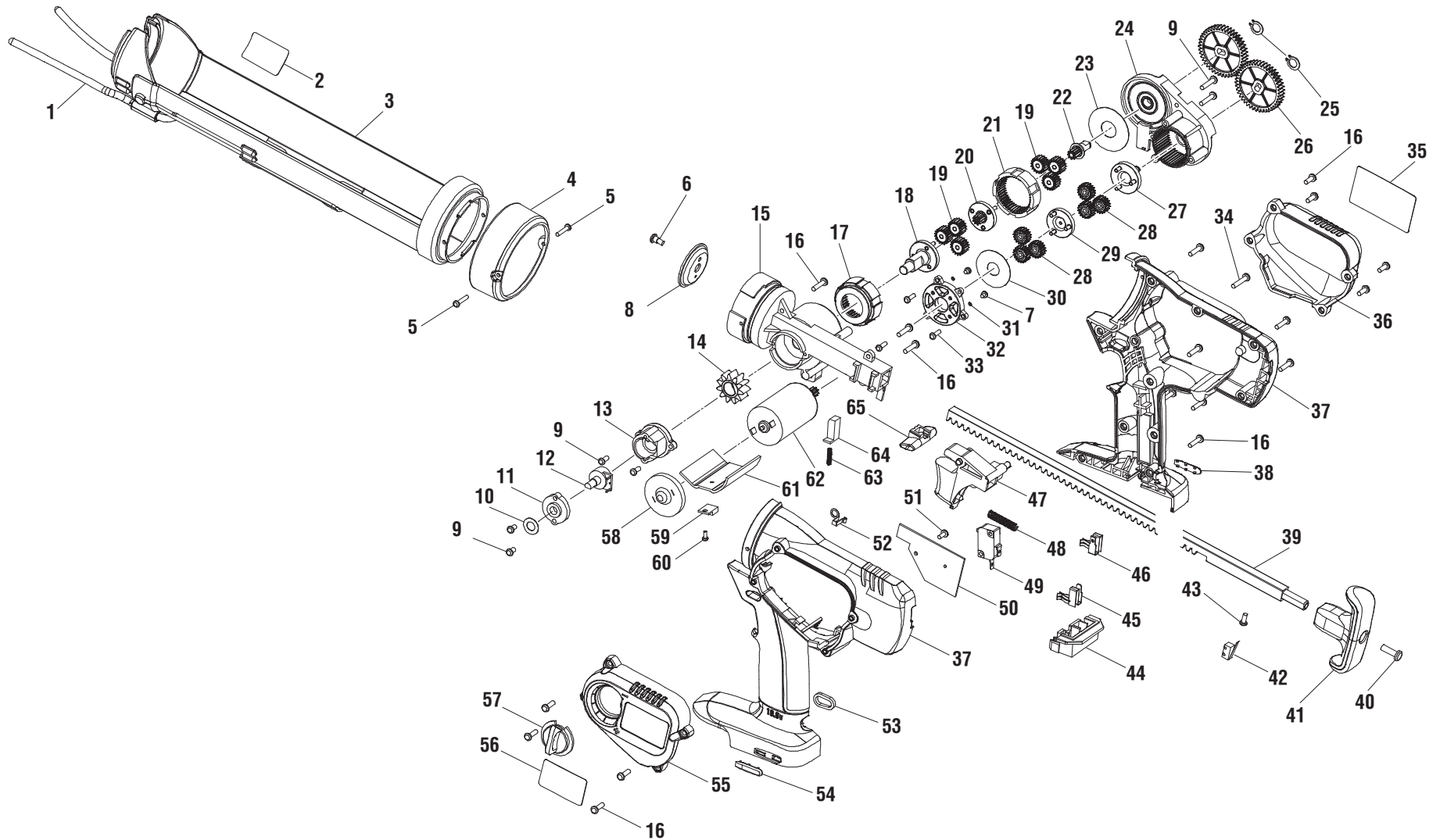


# RIDGID® R84040



- ⚠ WARNING:** The assembly shown represents an important part of the Double Insulated System. To avoid the possibility of alteration or damage to the System, service should be performed by your nearest authorized service center.
- ⚠ AVERTISSEMENT :** L'ensemble illustré représente une partie importante du système à isolation double. Afin d'éviter la possibilité de modification ou de dommage au système, la réparation ne doit être effectuée que par votre centre de réparation commerciale autorisé.
- ⚠ ADVERTENCIA:** El conjunto que se ilustra representa una parte importante del Sistema de Aislamiento Doble. Para evitar la posibilidad de alteración o daño del sistema, la reparación debe ser efectuada en su centro de servicio autorizado.



# R84040 Adhesive/Caulk Gun

KEY	P/N	DESCRIPTION	QTY	KEY	P/N	DESCRIPTION	QTY
1	631344001	JOIST FOLLOWER.....	1	37	200202325	HOUSING ASSEMBLY (INCLUDES KEY NOS. 36, 38, 54 AND 55).....	1
2	940230099	WARNING LABEL .....	1	38	560998003	STOP BUMPER (HOUSING COVER) .....	1
3	200316001	TUBE HOLDER ASSEMBLY (INCLUDES KEY NOS. 1 AND 2).....	1	39	640896001	RACK.....	1
4	512988001	TUBE HOLDER RING.....	1	40	660385016	SCREW (M5 x 16 mm) .....	1
5	660024007	SCREW (M4 x 16 mm) .....	2	41	512985001	RACK HANDLE .....	1
6	660409001	SCREW (M4 SLOTTED) .....	1	42	760384001	MICRO SWITCH.....	1
7	6621106	SCREW (M3 x 6 mm) .....	2	43	660800001	SCREW (M4 x 6 mm) .....	1
8	631306002	PLUNGER HOLDER.....	1	44	511355001	CONTACT PLATE HOLDER.....	1
9	660206001	SCREW (M3.5 x 18 mm PAN HD.) .....	6	45	630947003	CONTACT PLATE (+VE).....	1
10	671729001	CURVED WASHER.....	1	46	630948003	CONTACT PLATE (-VE) .....	1
11	512983001	SPEED CONTROL COVER .....	1	47	512977001	TRIGGER.....	1
12	810213001	SPEED CONTROL.....	1	48	671651001	TRIGGER SPRING .....	1
13	301250001	SPEED CONTROL BASE ASSEMBLY .....	1	49	760307001	SWITCH .....	1
14	610459001	OUTPUT GEAR .....	1	50	280013061	CIRCUIT BOARD.....	1
15	300603010	GEAR TRAIN ASSEMBLY .....	1	51	660203027	SCREW (M3 x 8 mm) .....	1
16	660419001	SCREW (M3.5 x 15 mm) .....	20	52	631347001	SAFETY BUTTON SPRING .....	1
17	512796001	4th RING GEAR.....	1	53	690164002	STRIP RING .....	1
18	620354001	CARRIER SHAFT .....	1	54	560997003	STOP BUMPER (HOUSING SUPPORT).....	1
19	610461001	PLANETARY GEAR .....	6	55	342975001	SIDE CAP (HOUSING SUPPORT).....	1
20	610464001	SUN GEAR .....	1	56	940114117	LOGO LABEL .....	1
21	610462003	GEAR RING .....	1	57	512978001	SPEED CONTROL KNOB .....	1
22	620355001	GEAR SHAFT .....	1	58	561200001	MOTOR COVER .....	1
23	680574001	WASHER (OD40.5 x ID15 x T0.5 mm).....	1	59	830235001	POWER MOSFET .....	1
24	301249001	GEAR COVER ASSEMBLY.....	1	60	660211013	SCREW (M3 x 4 mm) .....	1
25	670608001	RETAINING RING .....	2	61	631358001	HEAT SINK .....	1
26	512795001	SHIFT GEAR.....	2	62	230074008	MOTOR ASSEMBLY .....	1
27	671575001	CARRIER.....	1	63	671590001	BRAKE SPRING .....	1
28	512793001	PLANETARY GEAR .....	6	64	671576002	CLUTCH.....	1
29	610463001	SUN GEAR .....	1	65	512979001	SAFETY BUTTON .....	1
30	671577001	WASHER (OD34.4 x ID12 x T0.5).....	1	<b>NOT SHOWN</b>			
31	6702801	SPRING WASHER (OD5.5 mm x ID3.3 mm x T0.7 mm).....	2	66	140276001	CHARGER (SINGLE PORT).....	1
32	512792001	MOTOR BRACKET.....	1	67	140276006	CHARGER (SINGLE PORT) (R92281) .....	1
33	660010003	SCREW (M3 x 16 mm) .....	3	68	130252007	BATTERY PACK .....	1
34	660419003	SCREW (M3.5 x 20 mm) .....	1	69	901070001	TOOL BAG .....	1
35	940045189	DATA LABEL.....	1	70	901614001	TOOL BAG (R92281)	
36	512976001	SIDE CAP (HOUSING COVER).....	1	71	983000653 or 987000204	OPERATOR'S MANUAL .....	1
						7-8-10 (REV:05)	