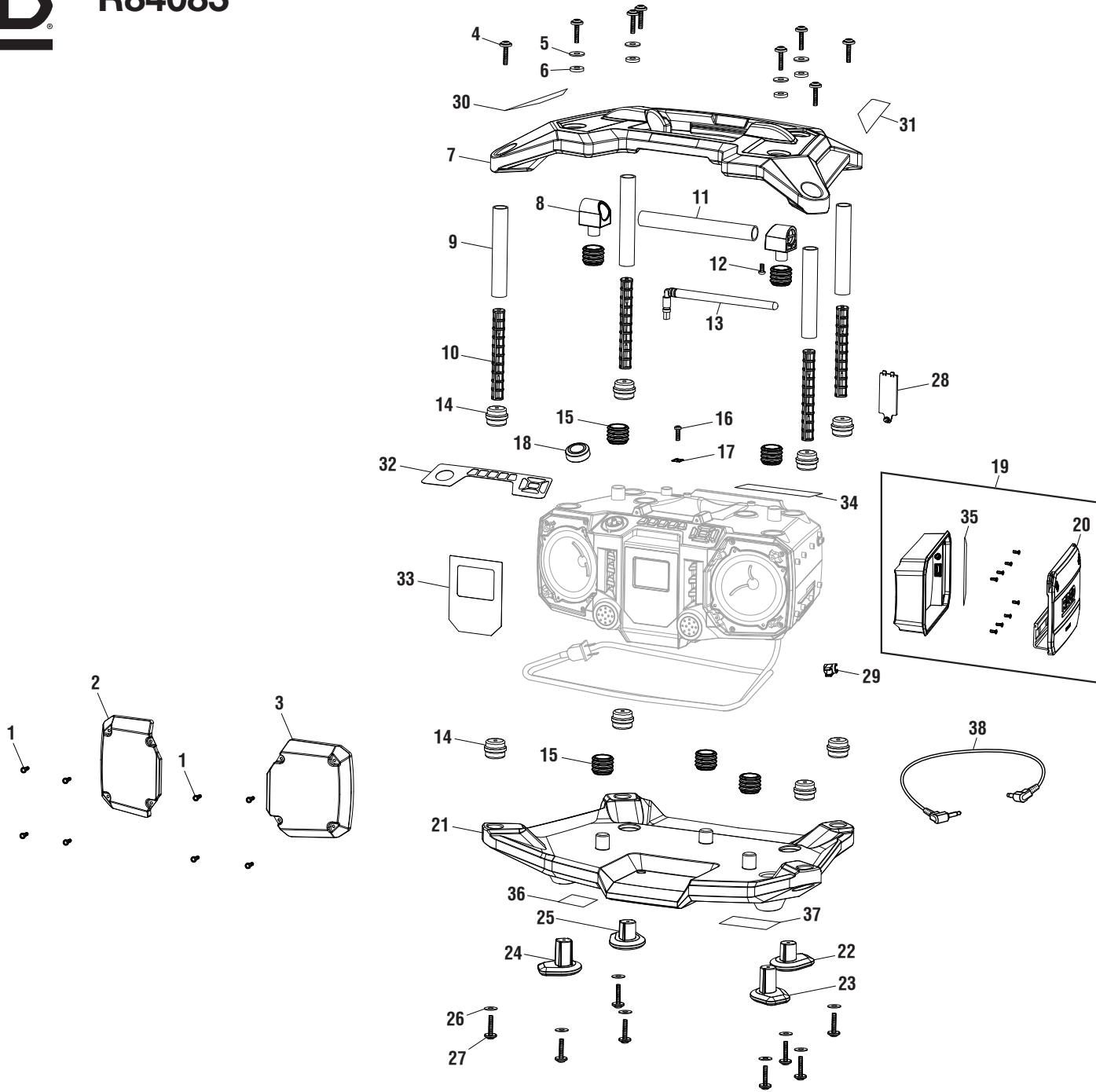


**RIDGID  
JOB-SITE RADIO  
MODEL NO. R84083  
REPAIR SHEET**

**RIDGID  
JOB-SITE RADIO  
NUMÉRO DE MODÈLE R84083  
FEUILLE DE RÉPARATION**

**RIDGID  
JOB-SITE RADIO  
NÚMERO DE MODELO R84083  
LISTAS DE PIEZAS DE REPUESTO**





R84083

KEY	P/N	DESCRIPTION	QTY	KEY	P/N	DESCRIPTION	QTY
1	019616001177	Screw (M4 x 12 mm) .....	8	22	019374001025	Rubber Foot (1) .....	1
2	019374001004	Left Speaker Grill.....	1	23	019374001026	Rubber Foot (2) .....	1
3	019374001006	Right Speaker Grill .....	1	24	019374001028	Rubber Foot (3) .....	1
4	019616001178	Screw (M5 x 16 mm) .....	8	25	019374001027	Rubber Foot (4) .....	1
5	019616001180	Washer (OD18 x ID4.3 x 1.5t).....	4	26	019616001164	Washer (OD15 x ID4 x 3t).....	8
6	019616001179	Screw (M4 x 18 mm) .....	4	27	019616001075	Screw (M5 x 16 mm) .....	8
7	019616001073	Top Housing .....	1	28	019616001122	Battery Door Assembly .....	1
8	019616001072	Fixed Handle .....	2	29	019616001116	Cord Clip .....	1
9	019616001071	Vertical Handle (Metal).....	4	30	019374001064	Shock Mount Label (Left) .....	1
10	019616001070	Vertical Handle (Plastic).....	4	31	019374001065	Shock Mount Label (Right).....	1
11	019616001077	Horizontal Handle.....	1	32	019374001061	Control Panel Label.....	1
12	019616001166	Screw (M3 x 6 mm) .....	1	33	019374001062	Front Logo Label .....	1
13	019616001076	Antenna .....	1	34	019374001063	FCC Label .....	1
14	019616001181	Shock Mount.....	8	35	019374001068	Auxiliary Label .....	1
15	019616001078	Rubber Cover .....	5	36	019374001070	Warning Label .....	1
16	019616001162	Screw (M2.6 x 6 mm) .....	1	37	019374001066	Data Label .....	1
17	019616001079	Antenna Contact Plate .....	1	38	019616001130	Auxiliary Cable.....	1
18	019616001045	Volume Knob .....	1		<b>Not Shown:</b>		
19	019374001029	Phone Case Assembly .....	1		990000688	Operator's Manual	
20	019374001038	Cover .....	1		4-14-15		
21	019616001097	Lower Housing .....	1		(Rev:01)		