

**RIDGID**  
**R86400 JobMax™**  
**POWER BASE**  
**REPAIR SHEET**

**RIDGID**  
**R86400 JobMax™**  
**BASE POUR ENTRAÎNEMENT**  
**FEUILLE DE RÉPARATION**

**RIDGID**  
**R86400 JobMax™**  
**BASE DE ALIMENTACIÓN**  
**LISTA DE PIEZAS DE REPUESTO**

**ONE WORLD TECHNOLOGIES, INC.**

P.O. Box 1427

Anderson, SC 29622, USA

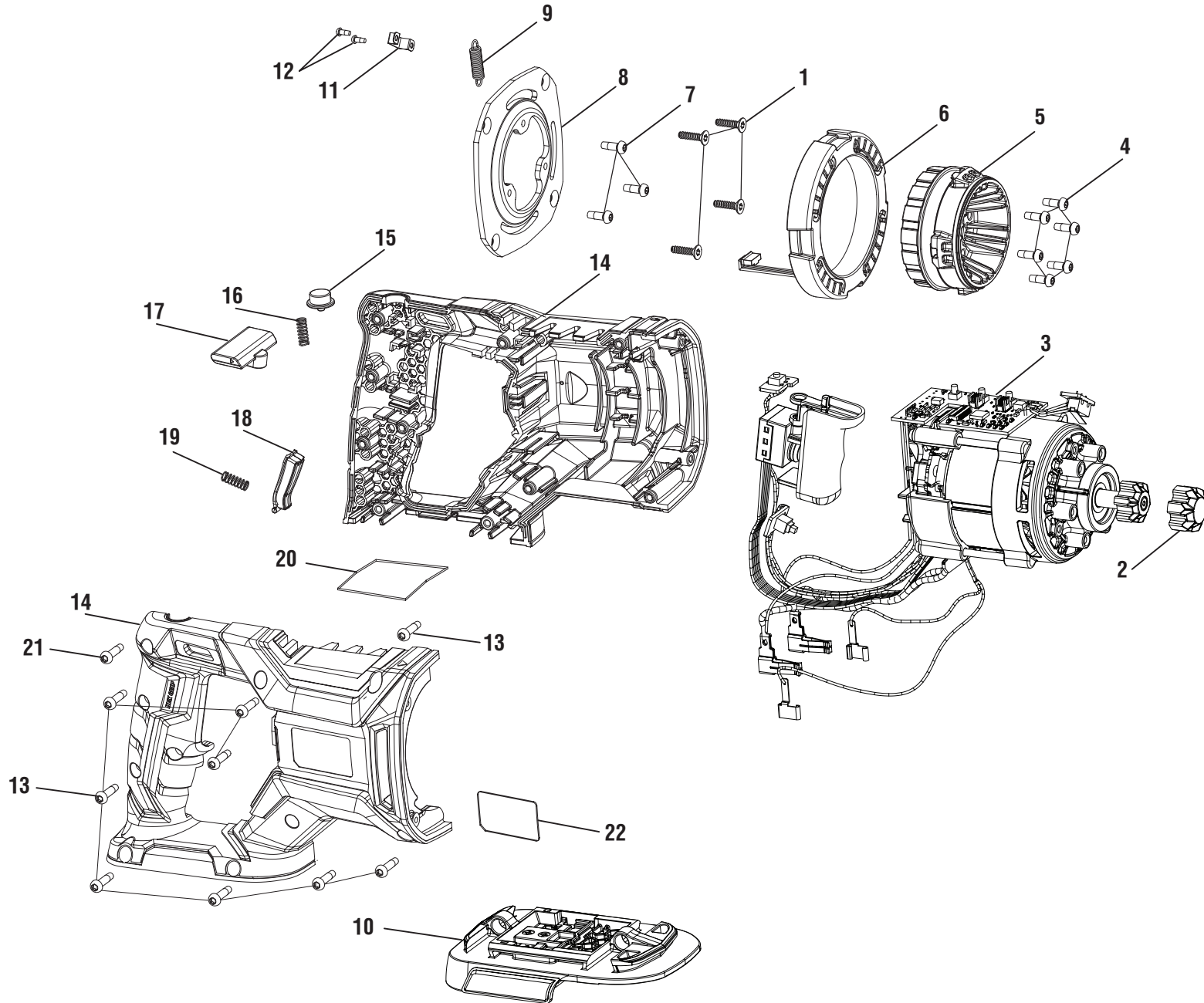
1-866-539-1710 ■ [www.RIDGID.com](http://www.RIDGID.com)

*RIDGID is a registered trademark of RIDGID, Inc., used under license.*



# R86400 Power Base

Base pour entraînement / Base de alimentación





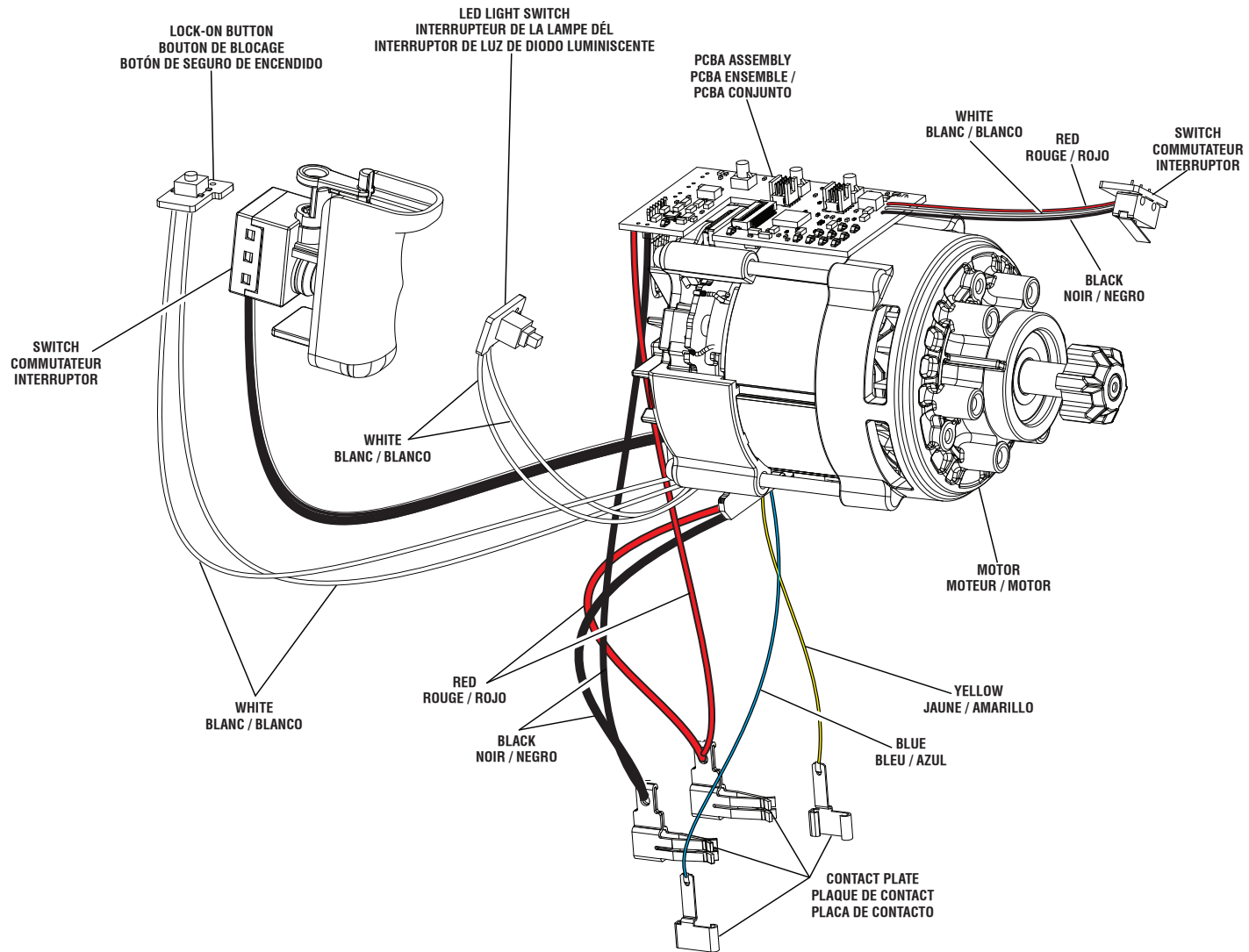
# R86400 Power Base

KEY	P/N	DESCRIPTION	QTY	KEY	P/N	DESCRIPTION	QTY
1	660213022	Screw (M4 x 16 mm, T20 Torx Flat Hd.).....	4	15	532486001	Lock-On Button.....	1
2	563474001	Motor Pinion Cap .....	1	16	672029001	Compression Spring .....	1
3	206723001	Motor and Circuit Board Assembly .....	1	17	528113001	Forward/Reverse Selector.....	1
4	660436006	Screw (M4 x 25.4 mm, T20 Torx Pan Hd.) .....	6	18	591119001	LED Light Switch.....	1
5	642317001	Power Base Interface .....	1	19	692688001	Compression Spring .....	1
6	280559001	Circuit Board Assembly (Circular) .....	1	20	941008045	Gauge Label .....	1
7	660031020	Screw (M3.5 x 10 mm, T10 Torx Pan Hd) .....	3	21	T662225001	Screw (M4 x 22 mm, Hex Soc. Hd.).....	1
8	635448001	Interface Plate .....	1	22	941121883	Data Label .....	1
9	694159001	Compression Spring .....	1	<b>Not Shown:</b>			
10	204905001	Foot Assembly .....	1	995000310	Operator's Manual (961152804)		
11	639361001	Switch Bracket .....	1	903209049	Tool Bag		
12	661230001	Screw (M3 x 3.5 mm, Pan Hd.) .....	2	4-19-18			
13	660024051	Screw (M4 x 18 mm, T20 Torx Pan Hd.) .....	9	(Rev:02)			
14	204904001	Housing Assembly .....	1				



# R86400 Power Base

## Base pour entraînement / Base de alimentación



**WIRING DIAGRAM**  
**SCHÉMA DE CÂBLAGE**  
**DIAGRAMA DE CABLEADO**