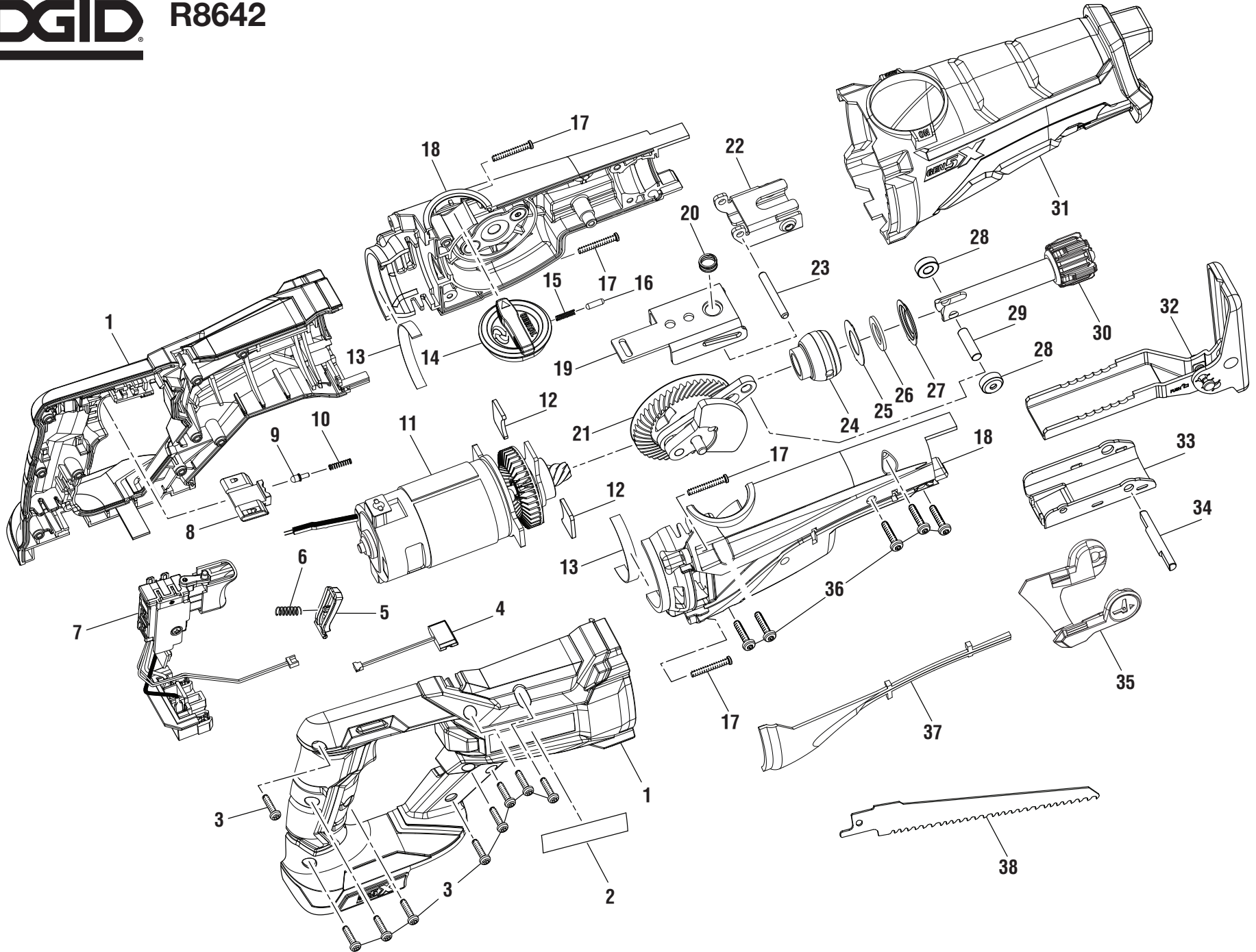


RIDGID
R8642 18V RECIPROCATING SAW
REPAIR SHEET

RIDGID
SCIE ALTERNATIVE 18 V R8642
FEUILLE DE RÉPARATION

RIDGID
SIERRA ALTERNATIVA DE 18 V R8642
LISTA DE PIEZAS DE REPUESTO

RIDGID® R8642





R8642

KEY	P/N	DESCRIPTION	QTY
1	203412001	Housing Assembly.....	1
2	941488118	Data Label	1
3	660024044	Screw (M4 x 16 mm).....	9
4	291355001	LED Assembly	1
5	591119001	LED Button	1
6	692688001	Compression Spring.....	1
7	203413001	Switch Assembly	1
8	340437001	Lock-Off Button.....	1
9	526010001	Pin	1
10	692177001	Compression Spring.....	1
11	206305001	Motor Assembly	1
12	561525001	Bearing Seal	2
13	560055013	Foam Rubber.....	2
14	307119001	Orbital Button	1
15	692009001	Compression Spring.....	1
16	672747001	Orbital Detent Pin	1
17	660208093	Screw (M4 x 25 mm).....	4
18	203519001	Gear Case Housing Assembly.....	1
19	632531001	Orbit Control Link (A).....	1
20	672188001	Compression Spring.....	1
21	203416001	Gear Assembly	1

KEY	P/N	DESCRIPTION	QTY
22	694167001	Orbit Control Link (B).....	1
23	672180002	Orbital Control Pin	1
24	203417001	Spindle Bushing Assembly.....	1
25	632529001	Bushing Seal	1
26	902150001	Felt Seal.....	1
27	632528001	Seal Cover	1
28	691260001	Spindle Bushing	2
29	672179001	Pin	1
30	203520001	Blade Clamp Assembly	1
31	562118003	Rubber Boot.....	1
32	306340001	Shoe Assembly.....	1
33	633526001	Shoe Retainer.....	1
34	672196005	Shoe Pin	1
35	307113001	Shoe Release Lever.....	1
36	661004001	Screw (8-32 x 3/4 in.)	5
37	591435001	Air Channel Cover	1
38	690347004	Wood Cutting Blade	1

Not Shown:

991000269 Operator's Manual
7-6-15
(Rev:01)