

RIDGID
R8643 18V RECIPROCATING SAW
REPAIR SHEET

RIDGID
SCIE ALTERNATIVE 18 V R8643
FEUILLE DE RÉPARATION

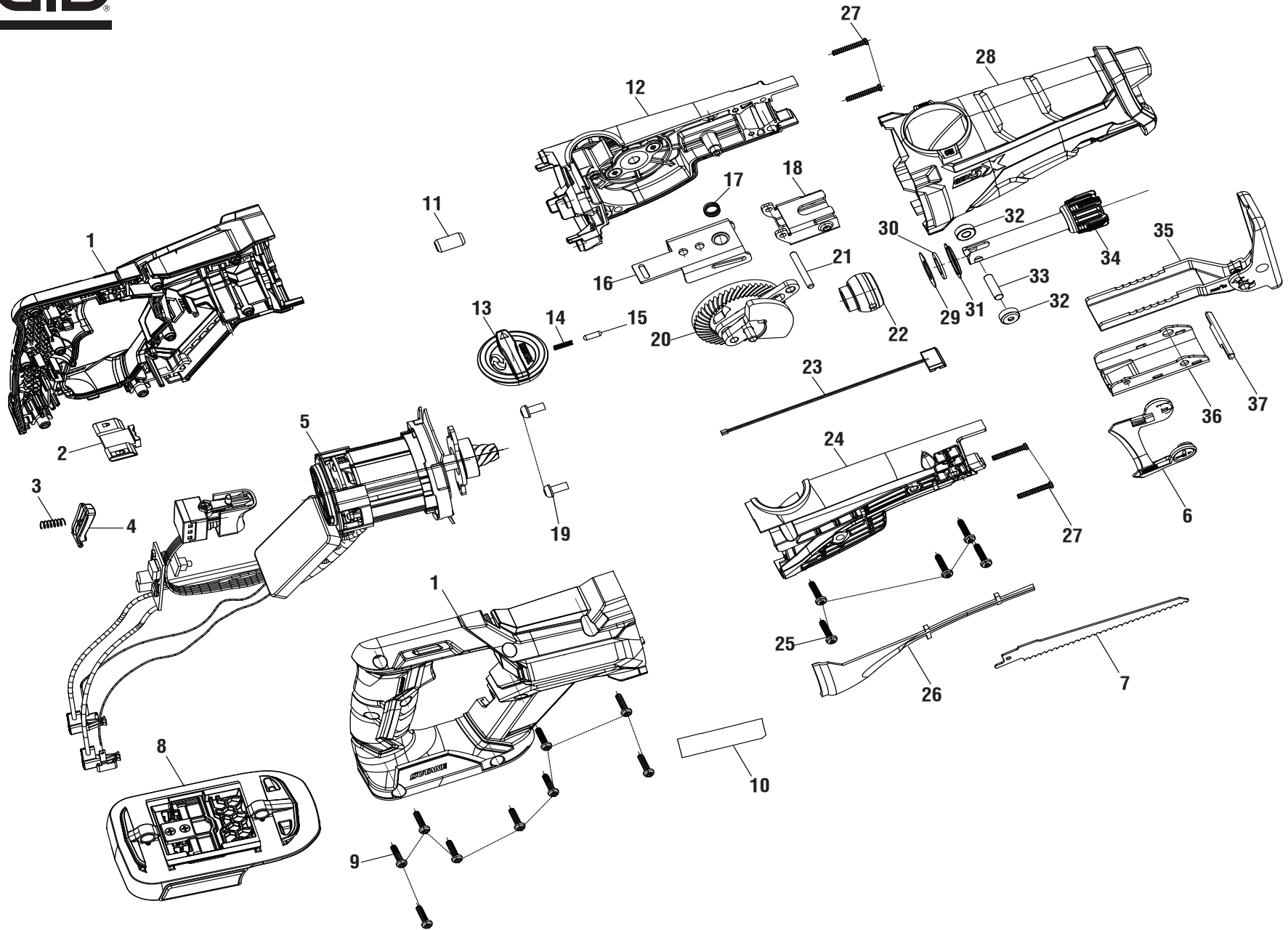
RIDGID
SIERRA ALTERNATIVA DE 18 V R8643
LISTA DE PIEZAS DE REPUESTO

One World Technologies, Inc.

P.O. Box 1427, Anderson, SC 29622

Phone 1-800-539-1710

www.ridgid.com





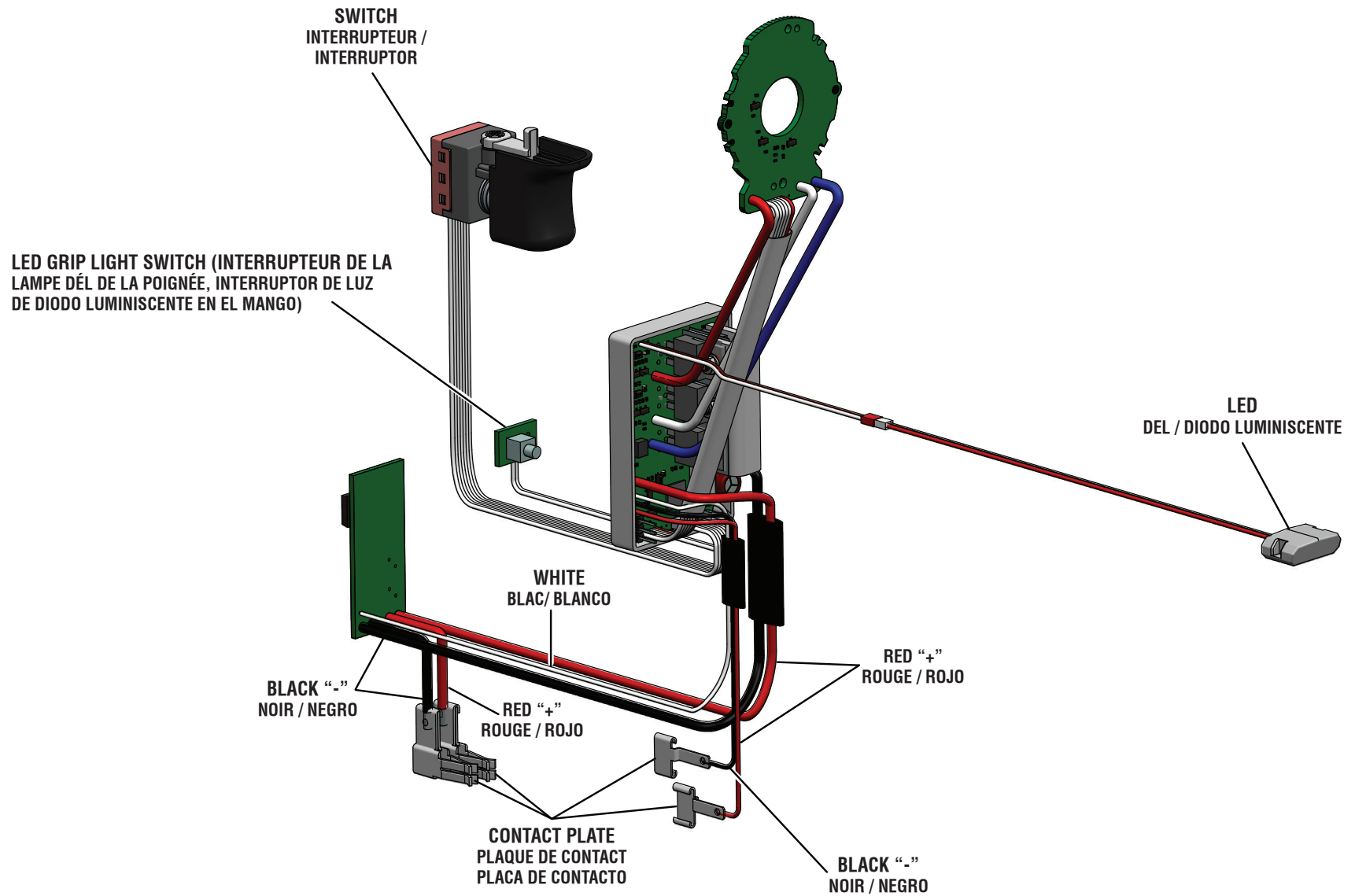
R8643

KEY	P/N	DESCRIPTION	QTY
1	204780001	Housing Assembly.....	1
2	340437002	Lock-off Button	1
3	692688001	Compression Spring.....	1
4	591119001	LED Grip Light Switch	1
5	206683001	Motor Assembly (010836001/109836001)	1
	206683002	Motor Assembly (010836003/109836003)	1
6	307113001	Shoe Release Lever.....	1
7	690347004	Wood Cutting Blade	1
8	360759006	Foot Assembly.....	1
9	660024044	Screw (M4 x 16 mm, T20 Torx Pan Hd.).....	9
10	941488269	Data Label	1
11	550339001	Rubber Plug.....	1
12	206684002	Gear Case Support Assembly.....	1
13	307119002	Obital Button w/Insert	1
14	692009001	Compression Spring.....	1
15	672747001	Orbital Detent Pin	1
16	632531003	Orbit Control Link (A).....	1
17	672188001	Compression Spring.....	1
18	694167001	Orbit Control Link (B).....	1
19	662088001	Screw w/Washer (M5 x 8.5 mm).....	2
20	206682002	Output Gear Assembly (010836001/109836001).....	1
	206682003	Output Gear Assembly (010836003/109836003).....	1

KEY	P/N	DESCRIPTION	QTY
21	672180002	Orbit Control Pin.....	1
22	203417001	Spindle Bushing Assembly.....	1
23	291355001	LED Assembly	1
24	206685002	Gear Case Cover Assembly.....	1
25	661004001	Screw (8-32 x 3/4 in., T20 Torx Pan Hd.).....	5
26	591435001	Air Channel Cover	1
27	660208093	Screw (M4 x 25 mm).....	4
28	562118003	Rubber Boot.....	1
29	632529001	Bushing Seal	1
30	902150001	Felt Seal.....	1
31	632528001	Seal Cover	1
32	691260001	Spindle Bushing	2
33	672179001	Pin	1
34	203520001	Blade Clamp Assembly	1
35	306340001	Shoe Assembly.....	1
36	633526001	Shoe Retainer.....	1
37	672196005	Shoe Pin	1

Not Shown:

995000230 Operator's Manual (96115283)
2-15-19
(Rev:03)



WIRING DIAGRAM

**SCHÉMA DE CÂBLAGE
DIAGRAMA DE CABLEADO**