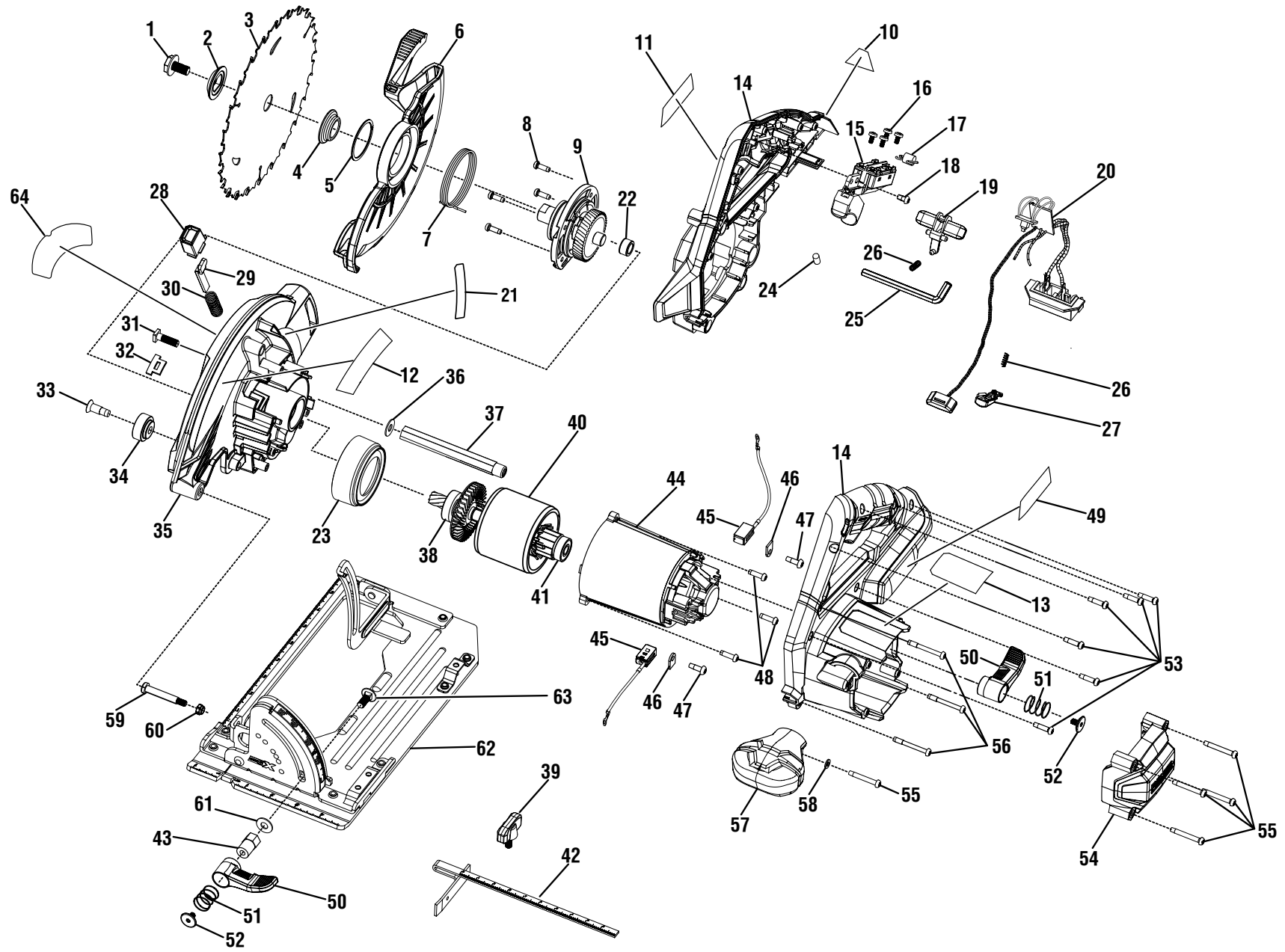


**RIDGID
R8652 18V CIRCULAR SAW
REPAIR SHEET**

**FEUILLE DE RÉPARATION
SCIE CIRCULAIRE 18 V R8652
RIDGID**

**RIDGID
SIERRA CIRCULAR DE 18 V R8652
LISTA DE PIEZAS DE REPUESTO**

RIDGID® R8652

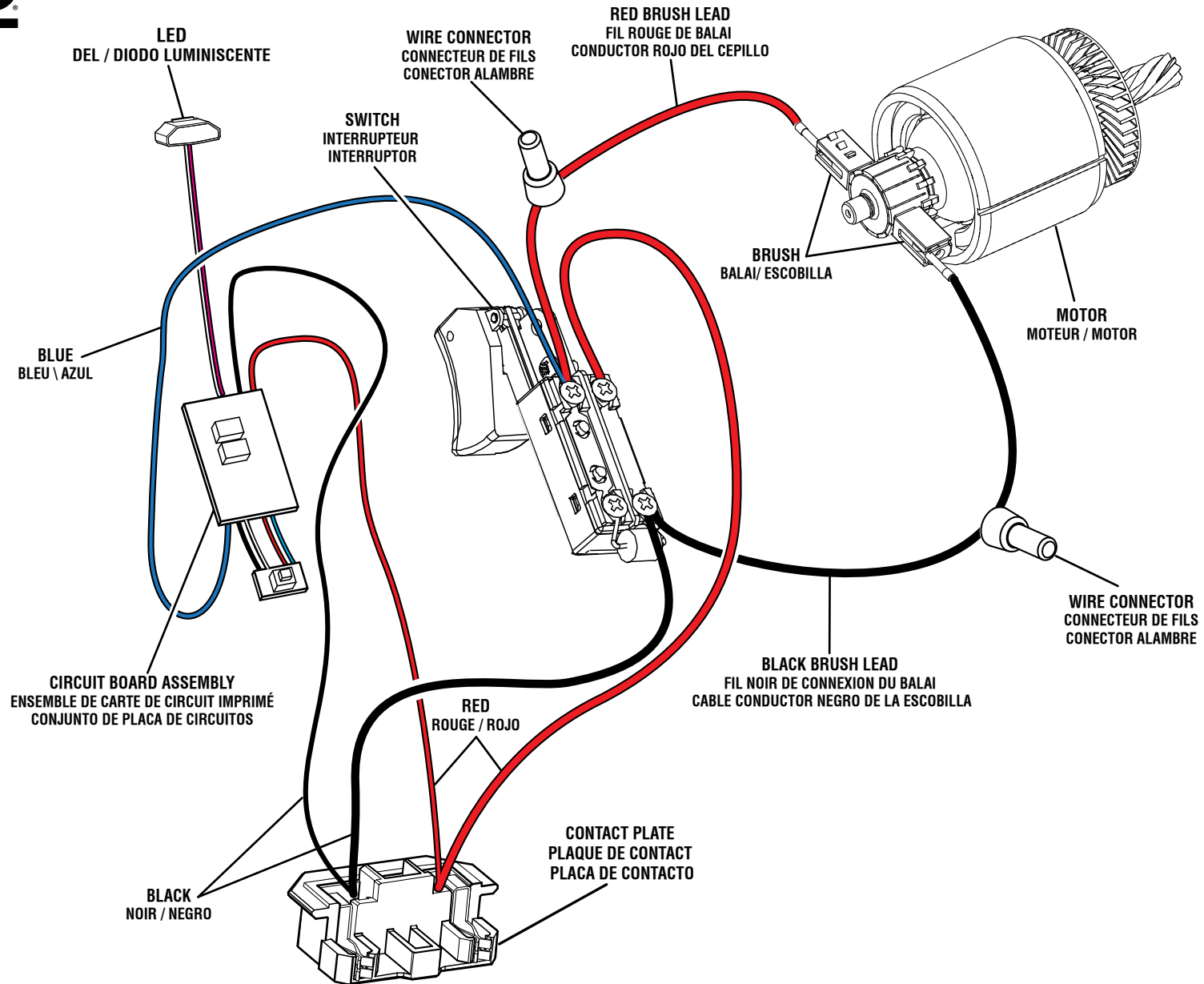


KEY	P/N	DESCRIPTION	QTY
1	693912001	Screw (5/16-18 x 9/16 in.).....	1
2	692092001	Outer Blade Washer.....	1
3	681881001	Saw Blade (7-1/4 in.).....	1
4	692091001	Inner Blade Washer.....	1
5	694491001	Retaining Ring.....	1
6	527529001	Lower Blade Guard.....	1
7	671985003	Torsion Spring.....	1
8	660165011	Screw (M4 x 12 mm).....	4
9	203508001	Output Gear Assembly w/Support.....	1
10	941114123	Back Label.....	1
11	941114119	Warning Label (French/Spanish).....	1
12	941114117	Danger Warning Label.....	1
13	941488134	Data Label.....	1
14	203478001	Handle Assembly.....	1
15	760677018	Switch Assembly.....	1
16	660320007	Screw (M3.5).....	4
17	840312001	Rectifier.....	1
18	660208094	Screw (M4 x 8 mm).....	1
19	517242006	Safety Button.....	1
20	203509001	Circuit Board Assembly.....	1
21	941114122	Cutting Depth Label.....	1
22	671774003	Bushing.....	1
23	527531001	Fan Baffle.....	1
24	560219006	Rubber Plug.....	1
25	681945001	Wrench (M6).....	1
26	672029001	Compression Spring.....	2
27	522639001	Trigger.....	1
28	527715001	Spindle Lock Button.....	1
29	635410001	Spindle Lock.....	1
30	694163001	Spindle Lock Spring.....	1
31	660865002	Screw (1/4-20 x 3/4 in., Square Hd.).....	1
32	563468001	Dust Cover.....	1
33	661245001	Screw (M6 x 20 mm).....	1
34	561984001	Bumper.....	1
35	642284001	Upper Blade Guard.....	1

KEY	P/N	DESCRIPTION	QTY
36	631771002	Washer (OD16 x ID6.8 x 1t).....	1
37	672027003	Hexagon Bar.....	1
38	691117002	Ball Bearing (6001 2RS).....	1
39	515057001	Knob Assembly.....	1
40	206325001	Motor Assembly (Inc. Key Nos. 38 & 41).....	1
41	681304001	Ball Bearing (608 2RS).....	1
42	690119003	Optional Edge Guide.....	1
43	660841004	Hex Nut (1/4-20).....	1
44	527534001	Motor Housing.....	1
45	203510001	Brush Assembly.....	2
46	630801003	Brush Holder.....	2
47	660140002	Screw (#8-16 x 12.7 mm).....	2
48	660165008	Screw (M4 x14 mm).....	3
49	941114118	Warning Label (English).....	1
50	522691002	Lever.....	2
51	681035001	Lever Spring.....	2
52	660993001	Screw (1/4 in. x 7 mm).....	2
53	660024044	Screw (M4 x 16 mm).....	6
54	527694001	End Cover.....	1
55	660024011	Screw (M4 x 28 mm).....	5
56	661175001	Screw (M4 x 34 mm).....	3
57	527695001	Front Handle.....	1
58	680865001	Washer (OD8.5 x ID4.2 x 1t).....	1
59	660145009	Carriage Bolt (M5 x 40 mm).....	1
60	670974002	Hex Nut (M5).....	1
61	691142001	Washer (OD14.2 x ID6.4 x 1.2t).....	1
62	306966001	Base Assembly.....	1
63	693616001	Carriage Bolt (1/4-20).....	1
64	941120012	Warning Label.....	1

Not Shown:

991000271 Operator's Manual
8-5-15
(Rev:02)



WIRING DIAGRAM
SCHÉMA DE CÂBLAGE
DIAGRAMA DE CABLEADO