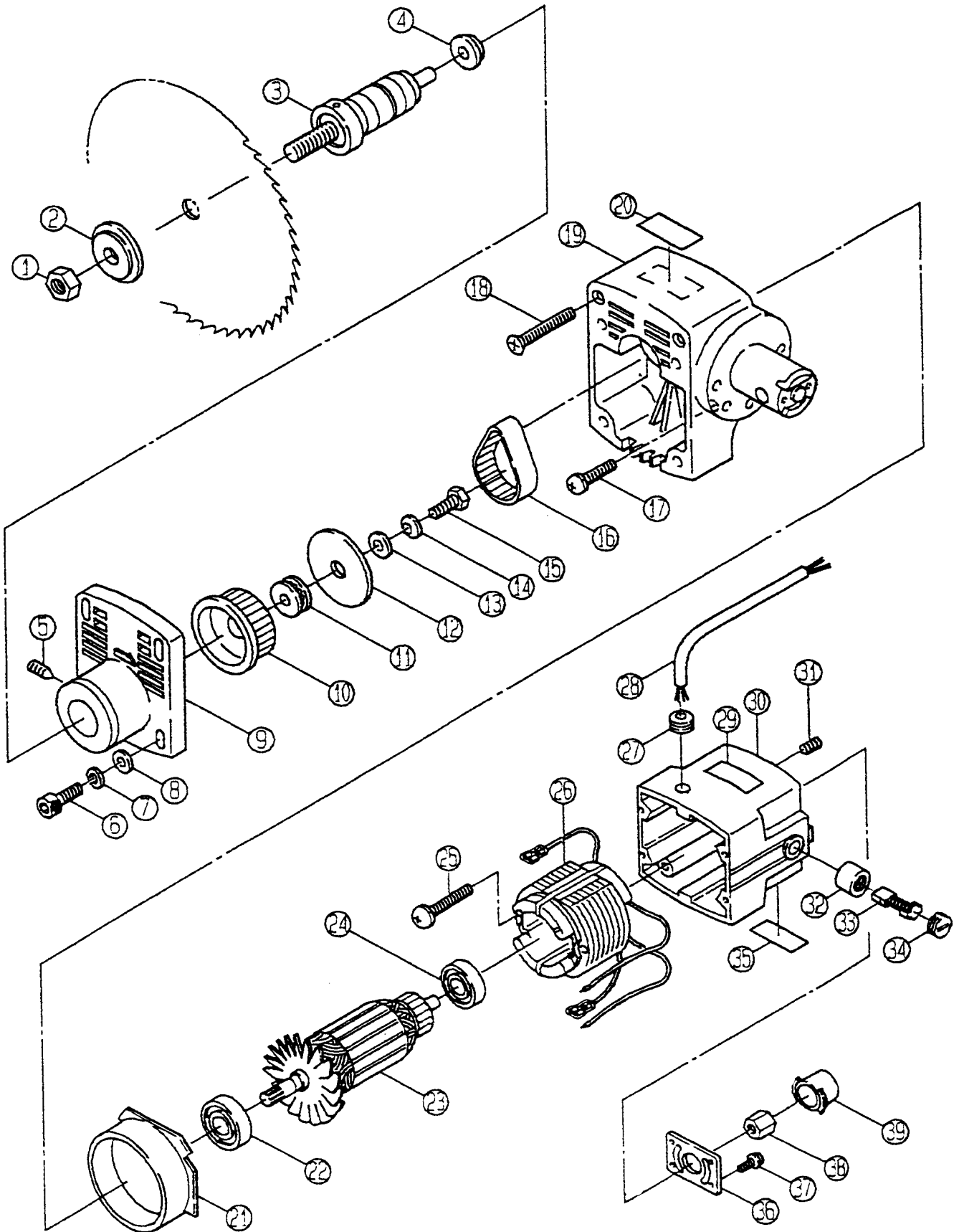
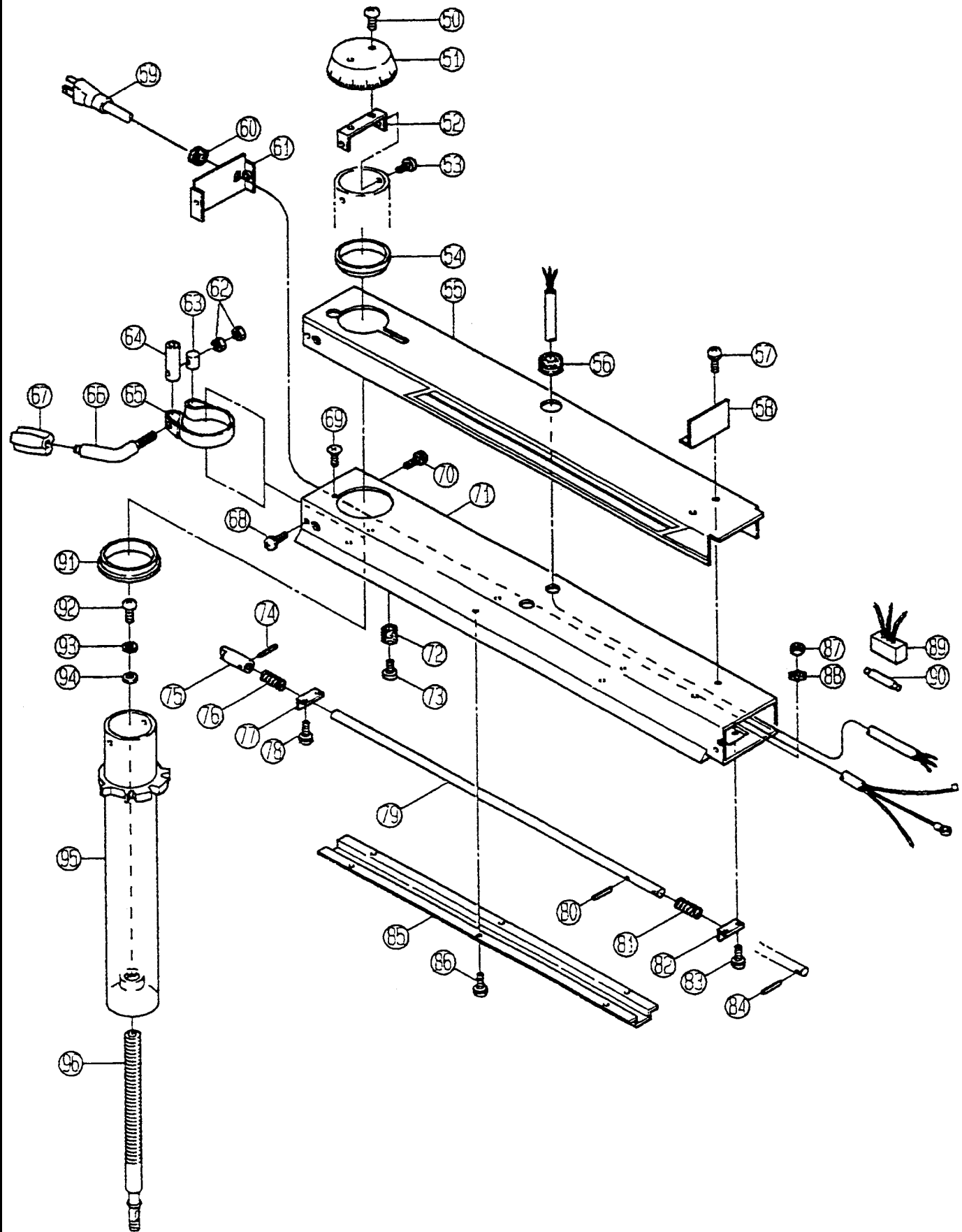


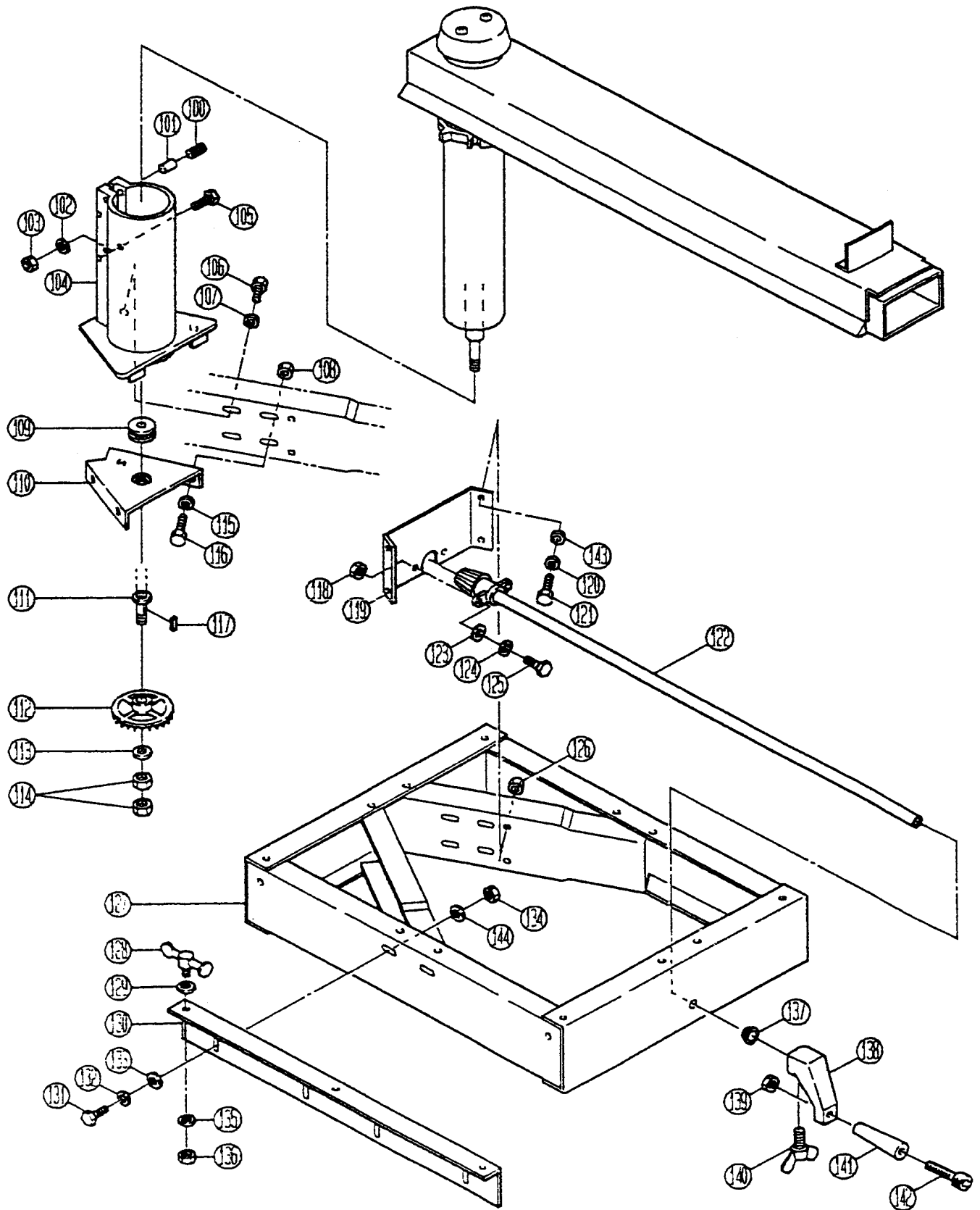
MODEL RA-2500N RADIAL ARM SAW



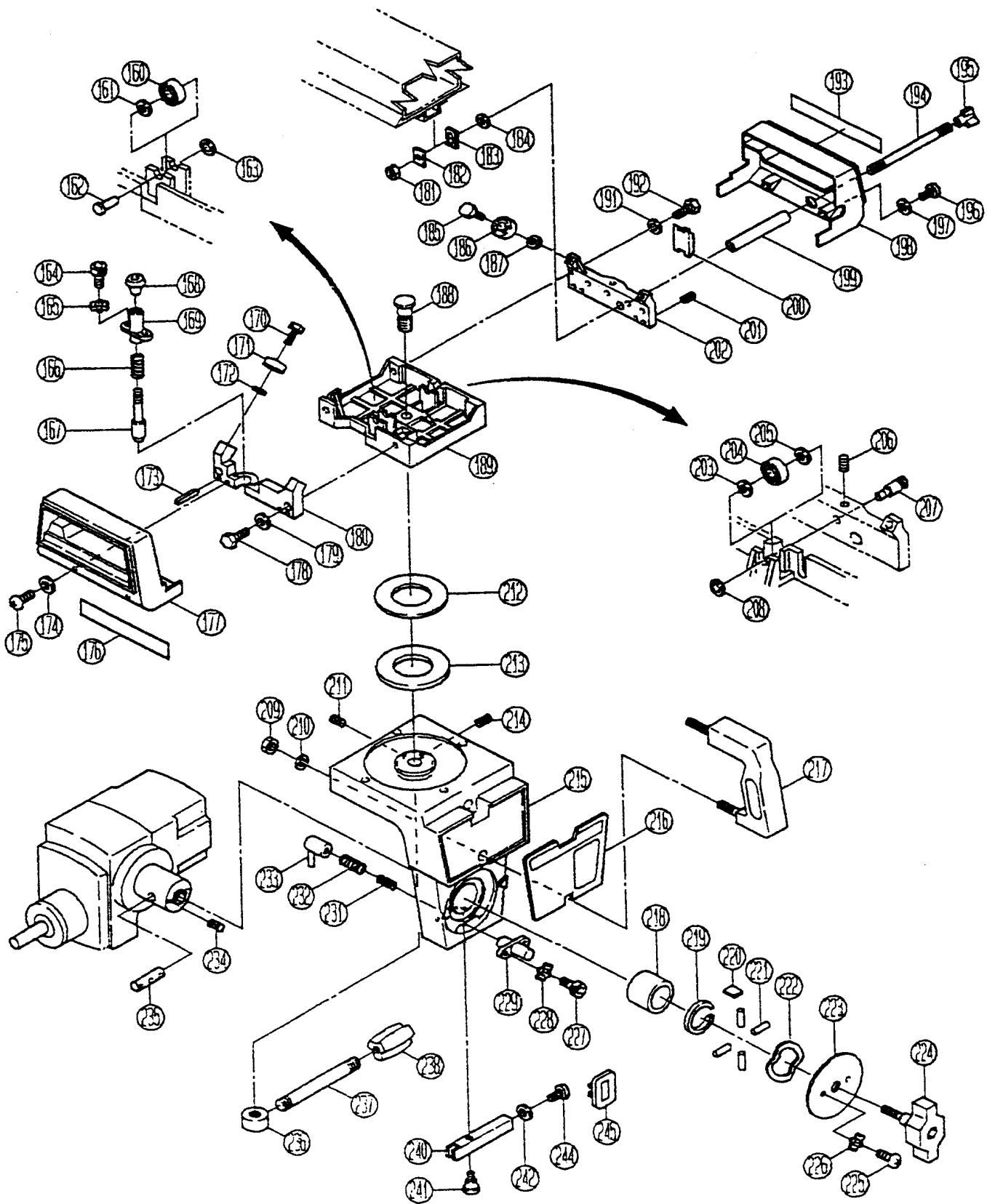
MODEL RA-2500N RADIAL ARM SAW



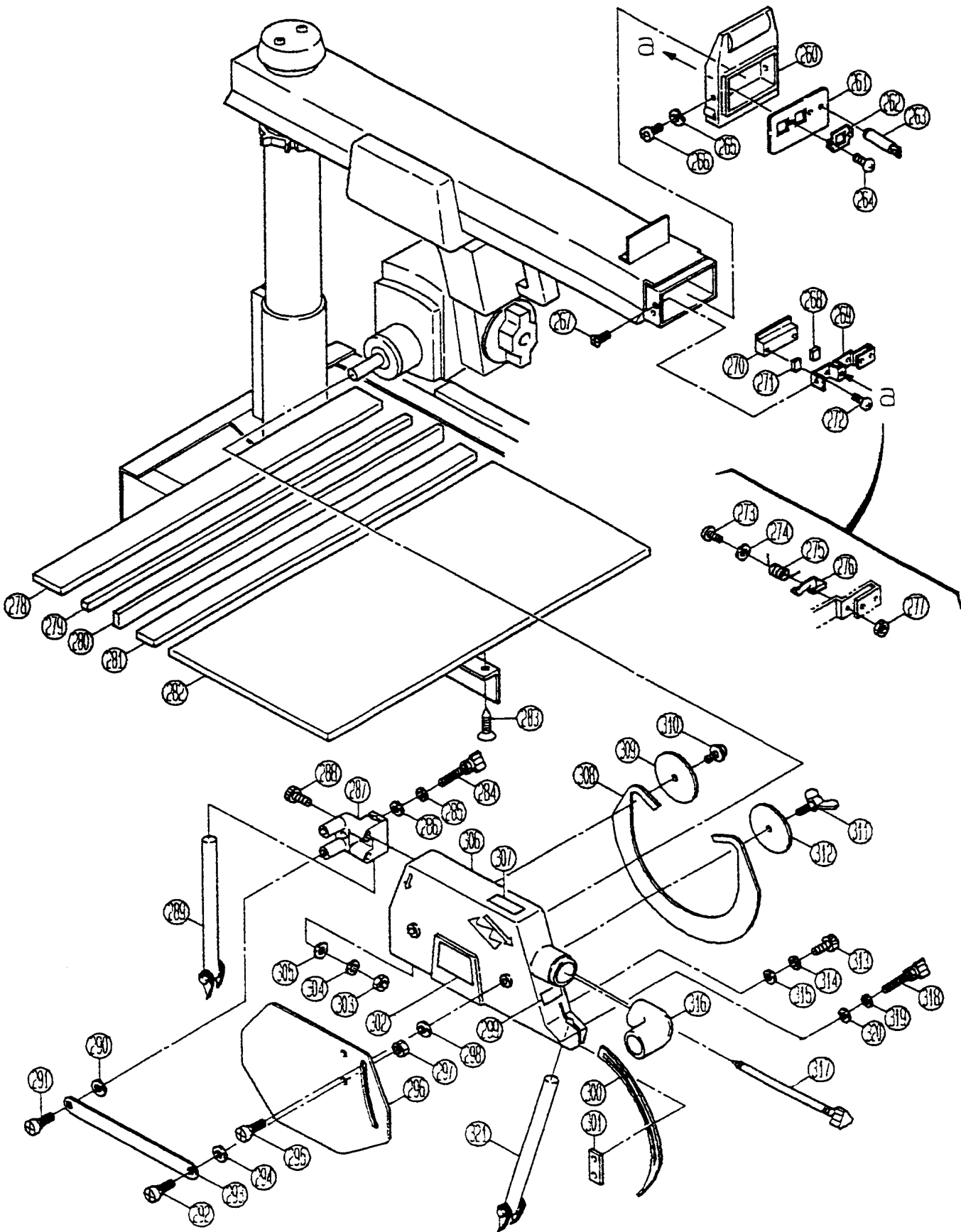
MODEL RA-2500N RADIAL ARM SAW



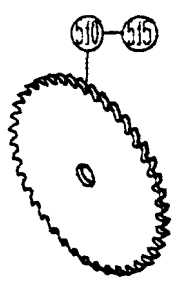
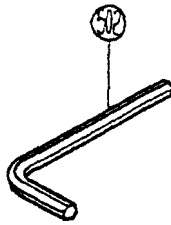
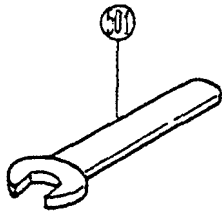
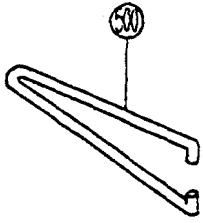
MODEL RA-2500N RADIAL ARM SAW



MODEL RA-2500N RADIAL ARM SAW



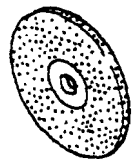
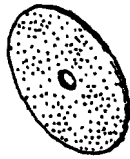
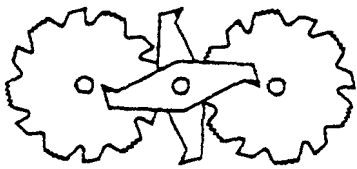
MODEL RA-2500N RADIAL ARM SAW



516

517

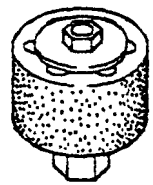
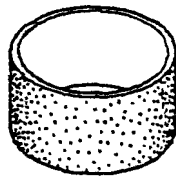
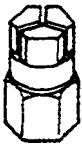
518



519

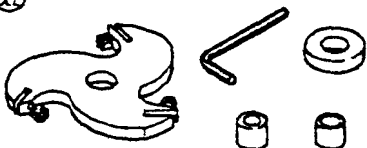
520

521



522

523



K

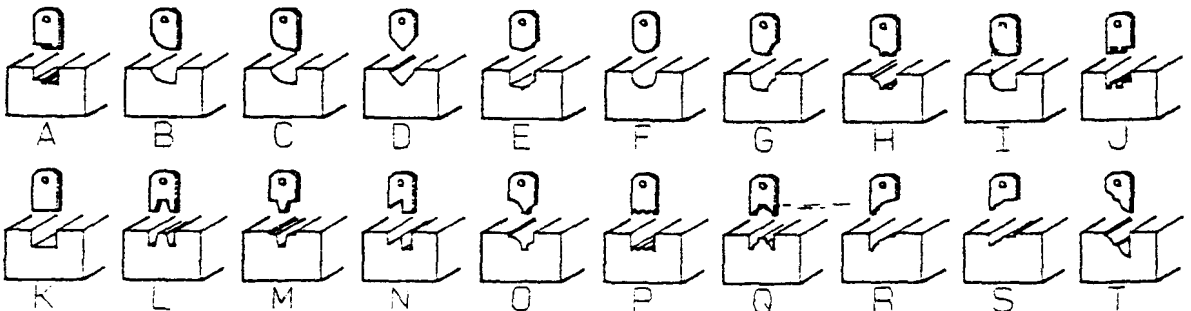
N

P

T



524



A

B

C

D

E

F

G

H

I

J

K

L

M

N

O

P

Q

R

S

T

MODEL RA-2500N RADIAL ARM SAW

ITEM NO	PART NO	DESCRIPTION	PRICE
1	6130089	HEX. NUT (L.H.T.) W5/8"-18UNF	2.18
2	6900549	WASHER	1.78
3	6080529	ARBOR COLLAR	31.02
4	6760117	OILLESS METAL	1.57
5	9270612	CLAMP SCREW M6 X 12	0.19
6	9220625	HEX. SOCKET HEAD BOLT M6 X 25	0.22
7	9550600	SPRING WASHER M6	0.07
8	9570600	WASHER 6.4 X 12.5 X 1.6	0.07
9	6820685	END CAP	21.27
10	6860195	PULLEY	5.68
11	6750027	THRUST BEARING NS102	2.85
12	6152098	FLANGE	1.91
13	9570800	WASHER 8.4 X 17 X 1.6	0.33
14	9580800	CONICAL SPRING 8.4 X 17 X 1.4	0.19
15	6130086	HEX. HEAD BOLT (L.H.T) M8 X 20	1.15
16	6860196	TIMING BELT	12.00
17	9020550	PHILLIPS PAN SCREW M5 X 50	0.14
18	6130088	PHILLIPS FLAT SCREW M5 X 115	0.59
19	6801371	BEARING HOUSE	50.99
20	6921526	CAUTION LABEL	0.70
21	6490286	FAN CASING	2.70
22	9846203	BALL BEARING #6203LLB	7.11
23	6033664	ARMATURE 220V.230V.240V PB	54.54
24	9846201	BALL BEARING #6201LLB	7.40
25	9020565	PHILLIPS PAN SCREW M5 X 65	0.18
26	6502267	FIELD COIL 220V.230V.240V PB	28.34
27	6560126	CORD BUSH	1.41
28	6520154	JOINT CORD 1 X 3 X 1.3	7.07
30	6801947	MOTOR HOUSING	26.35
31	9280508	CLAMP SCREW M5 X 8	0.09
32	6570112	BRUSH HOLDER	2.68
33	6540053	CARBON BRUSH 613AA	2.64
34	6570107	BRUSH CAP	0.71
35	6920722	LABEL	1.06
36	6152101	BEARING RETAINER PLATE	1.15
37	9020510	PHILLIPS PAN SCREW M5 X 10	0.46
38	6220188	ROUTER NUT ADAPTER	3.06
39	6360226	GUARD	1.56
50	9000408	PHILLIPS PAN SCREW M4 X 8	0.09
51	6360225	CAP	8.06
52	6152113	BRACKET	2.33
53	9000408	PHILLIPS PAN SCREW M4 X 8	0.09
54	6760119	BUSH	10.17
55	6880778	ARM COVER	57.20
56	6590282	CORD BUSH	2.00
57	9020510	PHILLIPS PAN SCREW M5 X 10	0.46
58	6152124	GRIP	2.41

MODEL RA-2500N RADIAL ARM SAW

ITEM NO	PART NO	DESCRIPTION	PRICE
59	6520617	POWER CORD 1 X 3 X 2.5	12.95
60	6560126	CORD BUSH	1.41
61	6152121	ARM COVER	2.20
62	9320600	HEX. NUT M6	0.07
63	6100433	NUT	2.64
64	6100437	CLAMP POST	4.53
65	6152116	STRAP	3.77
66	6100439	LEVER	4.49
67	6831216	HANDLE	11.01
68	9020512	PHILLIPS PAN SCREW M5 X 12	0.08
69	9140612	PHILLIPS FLAT SCREW M6 X 12	0.09
70	9020512	PHILLIPS PAN SCREW M5 X 12	0.08
71	6090307	ARM TRACK BLOCK	98.64
72	6370011	RUBBER STOPPER	0.21
73	9000520	PHILLIPS PAN SCREW M5 X 20	0.14
74	9403016	SPRING PIN 3 X 16	0.14
75	6100420	PIN ROD INDEX	4.09
76	6180319	COMPRESSION SPRING	0.57
77	9020512	PHILLIPS PAN SCREW M5 X 12	0.08
78	6152095	BRACKET	1.66
79	6100421	ARM ROD INDEX	4.26
80	9403016	SPRING PIN 3 X 16	0.14
81	6180319	COMPRESSION SPRING	0.57
82	6152095	BRACKET	1.66
83	9020512	PHILLIPS PAN SCREW M5 X 12	0.08
84	9403016	SPRING PIN 3 X 16	0.14
85	6880783	COVER	8.35
86	9020510	PHILLIPS PAN SCREW M5 X 10	0.46
87	9320500	HEX. NUT M5	0.09
88	9610500	TOOTHED LOCK WASHER M5	0.09
89	6550006	CONDENSER 0.1 + 0.005 X 2MF	1.89
90	6550144	CHOKE COIL	12.18
91	6760119	BUSH	10.17
92	9000820	PHILLIPS PAN SCREW M8 X 20	0.19
93	9550800	SPRING WASHER M8	0.11
94	9570800	WASHER 8.4 X 17 X 1.6	0.33
95	6080528	COLUMN	82.17
96	6100429	ELEVATING SCREW	12.14
100	9280808	CLAMP SCREW M8 X 8	0.14
101	6120190	GUIDE	0.75
102	9550800	SPRING WASHER M8	0.11
103	9320800	HEX. NUT M8	0.09
104	6320193	PEDESTAL	53.60
105	9190845	HEX. HEAD BOLT M8 X 45	0.25
106	9190816	HEX. HEAD BOLT M8 X 16	0.16
107	9550800	SPRING WASHER M8	0.11
108	9311000	HEX. NUT M10	0.19

MODEL RA-2500N RADIAL ARM SAW

ITEM NO	PART NO	DESCRIPTION	PRICE
109	6750029	THRUST BEARING NC813	2.33
110	6152125	BRACKET	9.23
111	6900551	WASHER	0.44
112	6200346	ELEVATING GEAR	4.32
113	9571200	WASHER 13 X 24 X 2.5	0.19
114	9321200	HEX. NUT M12	0.25
115	9551000	SPRING WASHER M10	0.11
116	9191018	HEX. HEAD BOLT M10 X 18	0.27
117	6100078	PARALLEL KEY 3 X 3 X 12	0.63
118	9300600	HEX. NUT M6	0.07
119	6152087	STRAP	3.99
120	9550600	SPRING WASHER M6	0.07
121	9190620	HEX. HEAD BOLT M6 X 20	0.09
122	6080268	ELEVATING SHAFT	14.68
123	9570600	WASHER 6.4 X 12.5 X 1.6	0.07
124	9550600	SPRING WASHER M6	0.07
125	9190620	HEX. HEAD BOLT M6 X 20	0.09
126	9300600	HEX. NUT M6	0.07
127	6010119	BASE	65.56
128	6080269	TABLE CLAMP	6.48
129	9570800	WASHER 8.4 X 17 X 1.6	0.33
130	6152084	ANGLE TABLE	9.06
131	9190820	HEX. HEAD BOLT M8 X 20	0.19
132	9550800	SPRING WASHER M8	0.11
133	9570800	WASHER 8.4 X 17 X 1.6	0.33
134	9320800	HEX. NUT M8	0.09
135	9550800	SPRING WASHER M8	0.11
136	9320800	HEX. NUT M8	0.09
137	6760115	METAL	0.79
138	6831235	CRANK HANDLE	6.55
139	9320800	HEX. NUT M8	0.09
140	9240625	WING BOLT M6 X 25	0.41
141	6831231	HANDLE	1.62
142	9220855	HEX. SOCKET HEAD BOLT M8 X 55	0.37
143	9570600	WASHER 6.4 X 12.5 X 1.6	0.07
144	9570800	WASHER 8.4 X 17 X 1.6	0.33
160	9840608	BALL BEARING #608LLB	2.60
161	9560800	WASHER 8.4 X 15.5 X 1.6	0.09
162	6100449	STUD	0.98
163	6100001	RETAINING RING CS-8	0.11
164	9220520	HEX. SOCKET HEAD BOLT M5 X 20	0.11
165	9610500	TOOTHED LOCK WASHER M5	0.09
166	6180318	COMPRESSION SPRING	0.54
167	6100447	PIN INDEX	5.12
168	6831237	KNOB	3.38
169	6320200	CARRIAGE HOLDER	2.52
170	9190620	HEX. HEAD BOLT M6 X 20	0.09

MODEL RA-2500N RADIAL ARM SAW

ITEM NO	PART NO	DESCRIPTION	PRICE
171	9840626	BALL BEARING #626LLB	5.63
172	9570600	WASHER 6.4 X 12.5 X 1.6	0.07
173	9404030	SPRING PIN 4 X 30	0.23
174	9570500	WASHER 5.3 X 10 X 1	0.07
175	9000510	PHILLIPS PAN SCREW M5 X 10	0.09
176	6921630	"RYOBI" MARK	0.77
177	6880772	CARRIAGE COVER	4.11
178	9190830	HEX. HEAD BOLT M8 X 30	0.21
179	9550800	SPRING WASHER M8	0.11
180	6330078	SIDE PLATE	13.17
181	9320600	HEX. NUT M6	0.07
182	6152089	PLATE	1.09
183	6152092	PLATE	1.09
184	9570600	WASHER 6.4 X 12.5 X 1.6	0.07
185	9190620	HEX. HEAD BOLT M6 X 20	0.09
186	9840626	BALL BEARING #626LLB	5.63
187	9570600	WASHER 6.4 X 12.5 X 1.6	0.07
188	6100445	YOKE PIVOT STUD	4.45
189	6320199	CARRIAGE CENTRE	17.46
191	9550800	SPRING WASHER M8	0.11
192	9190830	HEX. HEAD BOLT M8 X 30	0.21
193	6921630	"RYOBI" MARK	0.77
194	6100451	SHAFT	1.97
195	6831222	KNOB	2.04
196	9000510	PHILLIPS PAN SCREW M5 X 10	0.09
197	9570500	WASHER 5.3 X 10 X 1	0.07
198	6880775	CARRIAGE COVER	4.11
199	6900539	SPACER	2.33
200	6360227	WINDOW POINTER	1.76
201	9280516	CLAMP SCREW M5 X 16	0.15
202	6330080	SIDE PLATE	13.11
203	9570600	WASHER 6.4 X 12.5 X 1.6	0.07
204	9840608	BALL BEARING #608LLB	2.60
205	6900339	THRUST WASHER	0.13
206	9270610	CLAMP SCREW M6 X 10	0.07
207	6100450	STUD	2.54
208	6100454	RETAINING RING CS-6	0.13
209	9320800	HEX. NUT M8	0.09
210	9550800	SPRING WASHER M8	0.11
211	9270510	CLAMP SCREW M5 X 10	0.37
212	6900545	WASHER	1.70
213	6900544	WASHER	2.50
214	9270510	CLAMP SCREW M5 X 10	0.37
215	6320188	YOKE	59.24
216	6914489	NAME PLATE	3.49
217	6831211	HANDLE YOKE	10.89
218	6760118	METAL	5.64

MODEL RA-2500N RADIAL ARM SAW

ITEM NO	PART NO	DESCRIPTION	PRICE
219	6152080	HANDLE	2.52
220	6100456	KEY 7.1 X 7.1 X 2.3	0.50
221	6120186	SLIDE	1.32
222	6900911	WAVE WASHER	1.66
223	6950152	SCALE	4.24
224	6080525	TILT KNOB	10.81
225	9000525	PHILLIPS PAN SCREW M5 X 25	0.07
226	9610500	TOOTHED LOCK WASHER M5	0.09
227	9220520	HEX. SOCKET HEAD BOLT M5 X 20	0.11
228	9610500	TOOTHED LOCK WASHER M5	0.09
229	6320191	HOLDER	2.69
231	6180317	COMPRESSION SPRING	0.53
232	6180318	COMPRESSION SPRING	0.54
233	6080527	PIN INDEX	5.41
234	9280510	CLAMP SCREW M5 X 10	0.09
235	6100443	BAR NUT	4.11
236	6130640	COLLAR NUT	4.95
237	6831213	LEVER	2.08
238	6831216	HANDLE	11.01
240	6100417	MOTOR TILT SHAFT	5.24
241	6130643	SCREW SHOULDER	0.63
242	9560600	WASHER 6.4 X 11.5 X 1.6	0.09
244	9020620	PHILLIPS PAN SCREW M6 X 20	0.09
245	6831220	HANDLE RELEASE	1.22
260	6320196	HANDLE	7.55
261	6152111	ARM COVER PLATE	4.09
263	6100457	KEY	1.56
264	9000508	PHILLIPS PAN SCREW M5 X 8	0.09
265	6900697	WAVE WASHER WW-6	0.13
266	6130649	SCREW SHOULDER	0.61
267	9140506	PHILLIPS FLAT SCREW M5 X 6	0.39
268	6360232	BUTTON "ON"	1.43
269	6152128	BRACKET	4.74
270	6550302	PUSH BUTTON SWITCH 2970AJ209	10.82
271	6360233	BUTTON "OFF"	1.43
272	6130140	TAPPING SCREW (B) M3.5 X 10	0.10
273	9000410	PHILLIPS PAN SCREW M4 X 10	0.09
274	9570400	WASHER 4.3 X 9 X 0.8	0.07
275	6180320	COMPRESSION SPRING	0.53
276	6152131	LOCK LEVER	2.16
277	9310400	HEX. NUT M4	0.32
278	6390152	TABLE	6.59
279	6390153	SPACER	2.73
280	6390150	TABLE FENCE	4.49
281	6390156	TABLE	3.96
282	6390155	TABLE	26.60
283	6130875	TAPPING SCREW M6 X 16	0.19
284	6831228	KNOB BOLT	2.60
285	9550600	SPRING WASHER M6	0.07

MODEL RA-2500N RADIAL ARM SAW

ITEM NO	PART NO	DESCRIPTION		PRICE
286	9570600	WASHER 6.4 X 12.5 X 1.6		0.07
287	6190239	GUARD BASE		42.52
288	9220560	HEX.SOCKET HEAD BOLT M5 X 60		0.29
289	6080271	ANTI KICKBACK ARM		8.14
290	9570600	WASHER 6.4 X 12.5 X 1.6		0.07
291	6130650	SCREW SHOULDER		0.15
292	6130650	SCREW SHOULDER		0.15
293	6152137	GUARD BRACKET		3.04
294	6900103	WASHER 6 X 13 X 0.5		0.17
295	6130650	SCREW SHOULDER		0.15
296	6360228	GUARD		6.61
297	9320600	HEX. NUT M6		0.07
298	6900103	WASHER 6 X 13 X 0.5		0.17
299	6920728	WARNING LABEL		0.92
300	6152143	RIVING KNIFE		12.71
301	6152140	RIVING KNIFE BASE		1.42
302	6920725	INFORMATION LABEL		1.32
303	9320500	HEX. NUT M5		0.09
304	9550500	SPRING WASHER M5		0.11
305	9570500	WASHER 5.3 X 10 X 1		0.07
306	6801951	SAW GUARD		34.70
307	6920713	WARNING LABEL		1.03
308	6880786	LOWER GUARD		13.99
309	6152134	GUARD LEVER		1.36
310	9020610	PHILLIPS PAN SCREW M6 X 10		0.09
311	9240615	WING BOLT M6 X 15		0.39
312	6152134	GUARD LEVER		1.36
313	9220525	HEX. SOCKET HEAD BOLT M5 X 25		0.25
314	9550500	SPRING WASHER M5		0.11
315	9570500	WASHER 5.3 X 10 X 1		0.07
316	6220179	JOINT		2.96
317	6080272	GUARD CLAMP		3.50
-	6560003	CONNECTOR 5.5-SD		0.21
-	6560007	TERMINAL 1.25-5		0.13
-	6560032	FASTEN SLEEVE 42232-3RA		0.33
-	6590129	CONNECTOR BLOCK		0.97
-	6590130	CONNECTOR BLOCK		0.65
-	9675012	LEAD WIRE 1.25BR (1M)		0.70
-	9678012	LEAD WIRE 1.25GR (1M)		0.69
-	9680810	VINYL TUBE 8 X 10 (1M)		0.96
		STANDARD ACCESSORIES		
500	6240843	WRENCH		2.66
501	6240863	SINGLE-END WRENCH 24		4.93
502	6241083	HEX. KEY WRENCH 4		0.59
503	6900067	COLLAR 15.9 X 25.4 X 2		0.15
510	6651943	254MM COMBINATION SAW BLADE (254X15.9MM - 10X5/8")	28 TEETH	17.03
519	6940479	ROUTER ADAPTER 1/4" (FOR BIT SHANK 1/4")		35.56

MODEL RA-2500N RADIAL ARM SAW

ITEM NO	PART NO	DESCRIPTION		PRICE
		ACCESSORIES		
510	6652063	228MM COMBINATION SAW BLADE (228X15.9MM - 9X5/8")	28 TEETH	22.27
511	6651973	228MM (9") TCT SAW BLADE (228X15.9MM - 9X5/8")	12TEETH	58.37
	6651803	254MM (10") TCT SAW BLADE (254X25.4MM - 10X1")	70 TEETH	61.80
	6651963	254MM (10") TCT SAW BLADE (254X15.9MM - 10X5/8")	28 TEETH	79.59
512	6651993	228MM (9") CROSSCUT SAW BLADE (228X15.9MM - 9X5/8")	100 TEETH	24.07
	6651983	254MM (10") CROSSCUT SAW BLADE (254X15.9MM - 10X5/8")	104 TEETH	25.68
513	6652013	228MM (9") RIP SAW BLADE (228X15.9MM - 9X5/8")	36 TEETH	21.39
	6652003	254MM (10") RIP SAW BLADE (254X15.9MM - 10X5/8")	36 TEETH	23.68
514	6652033	228MM HOLLOW GROUND SAW BLADE (228X15.9MM - 9X5/8")	16 TEETH	25.35
	6652023	254MM HOLLOW GROUND SAW BLADE (254X15.9MM - 10X5/8")	16 TEETH	28.66
515	6652053	228MM (9") PLYWOOD SAW BLADE (228X15.9MM - 9X5/8")	200 TEETH	25.02
	6652043	254MM (10") PLYWOOD SAW BLADE (254X15.9MM - 10X5/8")	200 TEETH	27.35
516	6674053	150MM (6") DADO SET		88.53
517	6612203	203MM (8") SANDING DISC #60 (PKT QTY 6)		8.26
	6612213	203MM (8") SANDING DISC #80 (PKT QTY 6)		7.92
	6612223	203MM (8") SANDING DISC #10 (PKT QTY 6)		7.44
	6612233	203MM (8") SANDING DISC SET (2 EACH GRIT #60.80.100)		9.21
	6612143	254MM (10") SANDING DISC #60 (PKT QTY 6)		11.17
	6612153	254MM (10") SANDING DISC #80 (PKT QTY 6)		10.66
	6612163	254MM (10") SANDING DISC #100 (PKT QTY 6)		10.32
	6612173	254MM (10") SANDING DISC SET (2 EACH GRIT #60.80.100)		12.58
518	6612243	203MM (8") SANDING PLATE (WITH #80 2-SANDING DISCS)		35.40
	6612183	254MM (10") SANDING PLATE		45.64
520	6612293	ABRASIVE BELT SET #60.80.100 (1 EACH PER PKG)		7.92
521	6073343	SANDING DRUM SET (WITH ABRASIVE BELT #80)		29.31
522	6674573	MOULDING CUTTER HEAD SET (WITH MOULDING CUTTER K,N,P,T)		104.29
524	6674073	MOULDING CUTTER "A" (PKT QTY 3)		11.60
	6674083	MOULDING CUTTER "B" (PKT QTY 3)		11.96
	6674093	MOULDING CUTTER "C" (PKT QTY 3)		13.97
	6674103	MOULDING CUTTER "D" (PKT QTY 3)		11.60
524	6674113	MOULDING CUTTER "E" (PKT QTY 3)		11.60
	6674123	MOULDING CUTTER "F" (PKT QTY 3)		11.60
	6674133	MOULDING CUTTER "G" (PKT QTY 3)		11.60
	6674143	MOULDING CUTTER "H" (PKT QTY 3)		11.60
	6674153	MOULDING CUTTER "I" (PKT QTY 3)		11.96
	6674163	MOULDING CUTTER "J" (PKT QTY 3)		11.60
	6674173	MOULDING CUTTER "K" (PKT QTY 3)		11.60
	6674183	MOULDING CUTTER "L" (PKT QTY 3)		13.97
	6674193	MOULDING CUTTER "M" (PKT QTY 3)		11.61
	6674203	MOULDING CUTTER "N" (PKT QTY 3)		13.97
	6674213	MOULDING CUTTER "O" (PKT QTY 3)		13.97
	6674223	MOULDING CUTTER "P" (PKT QTY 3)		11.96
	6674233	MOULDING CUTTER "Q" (PKT QTY 3)		13.97
	6674243	MOULDING CUTTER "R" (PKT QTY 3)		13.97
	6672093	MOULDING CUTTER "S" (PKT QTY 3)		13.97
	6672103	MOULDING CUTTER "T" (PKT QTY 3)		13.97