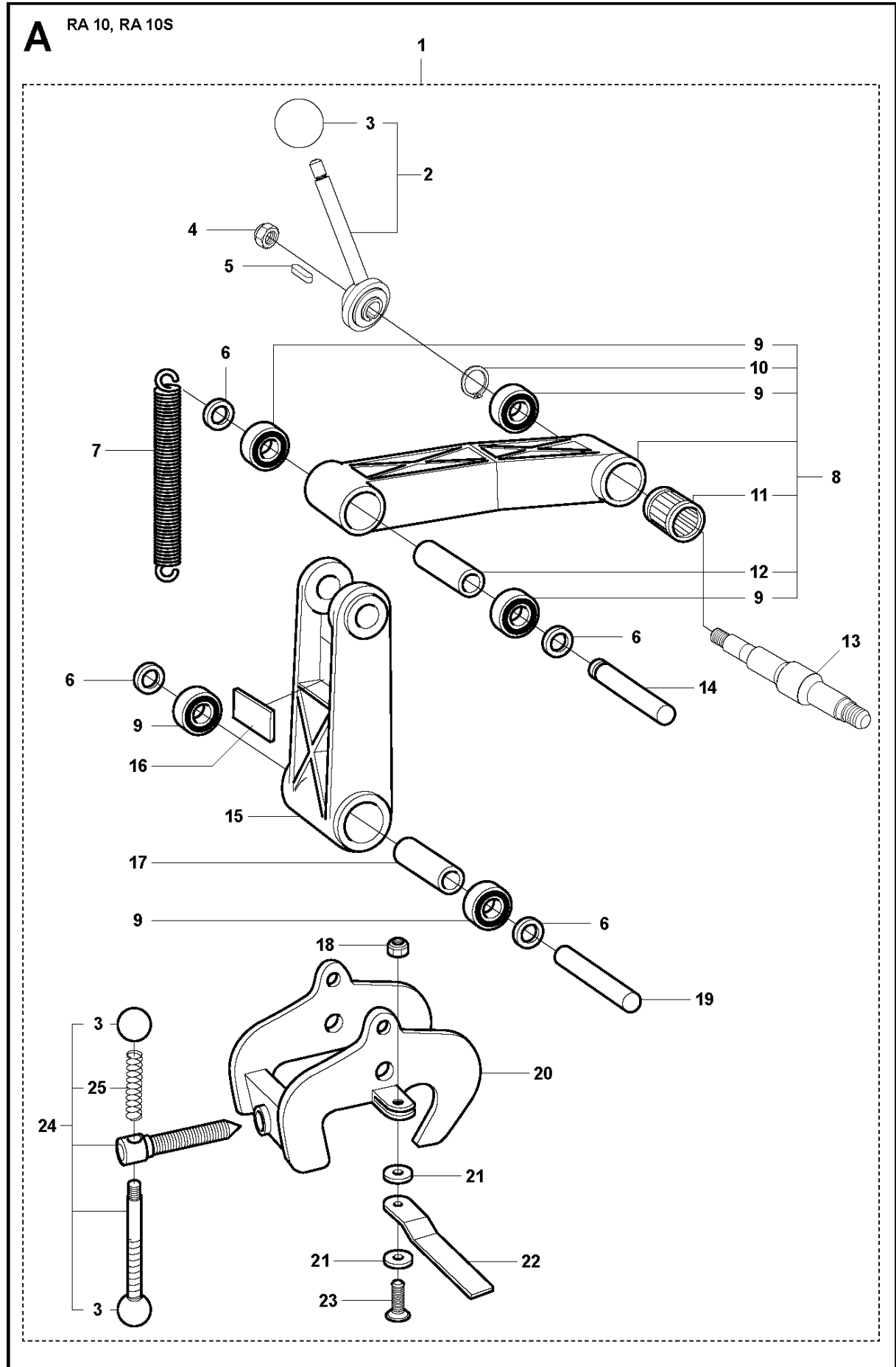




SPARE PARTS LIST

ACCESSORIES AND TOOLS

RAIL KIT RA 10, RA 10 S, 2007-01

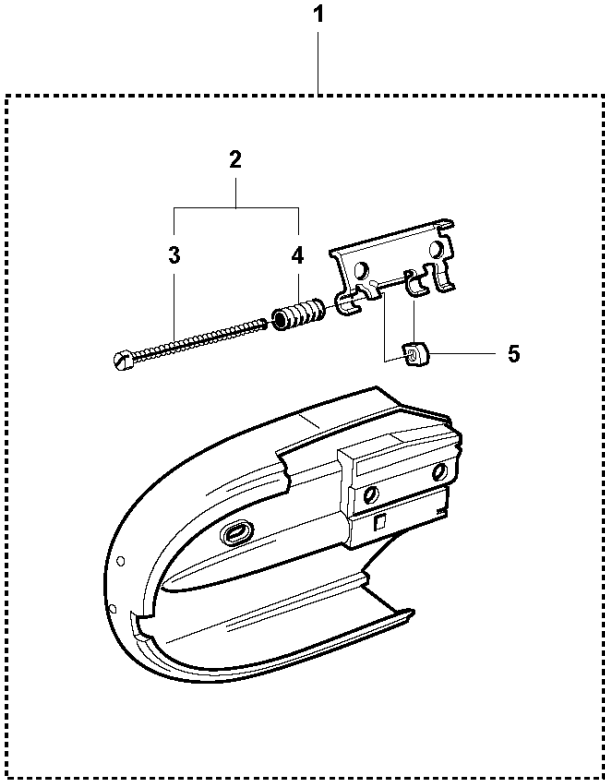


RAIL FIXTURE

RAIL KIT RA 10, RA 10 S, 2007-01

Ref	Part No	Description	Remark	QTY KIT
1	506 22 66-11	FIXTURE	RA10. Incl. 2, 4 - 24	1
1	506 22 66-12	FIXTURE	RA10 S. Incl. 2, 4 - 24	1
2	506 22 76-04	LOCKING HANDLE	Incl. 3	1
3	506 38 54-01	KNOB		1
4	732 25 22-01	HEXAGON LOCKING NUT		1
5	502 44 66-01	PARALLEL KEY		5
6	503 23 01-04	WASHER		1
7	506 22 77-02	DRAW SPRING		1
8	544 92 35-05	ARM		1
9	503 25 21-01	BALL BEARING		4
10	735 31 33-10	CIRCLIP		1
11	506 22 78-01	NEEDLE BEARING		1
12	506 22 70-01	SPACING TUBE		1
13	501 04 97-01	SHAFT		1
14	506 22 72-01	SHAFT		1
15	544 92 34-03	ARM		1
16	544 88 71-01	LABEL		1
17	506 22 70-02	SPACING TUBE	RA10	1
18	732 21 16-01	LOCK NUT		1
19	506 22 68-01	SHAFT		2
20	506 22 67-03	RAIL ATTACHMENT		1
21	505 27 06-09	GASKET		1
22	506 23 63-01	BAR		1
23	723 63 70-01	SCREW SLCSFM		2
24	506 22 69-03	LOCKING HANDLE	RA10. Incl. 3, 25	2
20	506 22 67-04	RAIL ATTACHMENT	RA10S	1
24	506 22 69-04	LOCKING HANDLE	RA10 S. Incl. 3, 25	1
25	544 39 97-01	SPRING		1

B K1250 RAIL

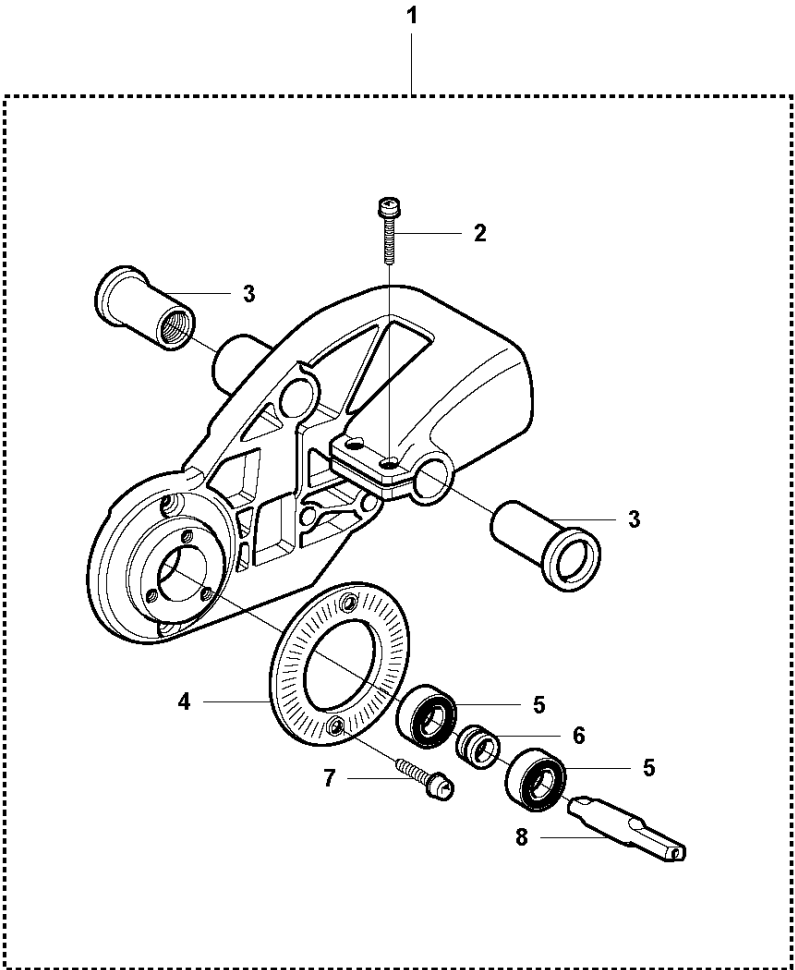


BELT GUARD

RAIL KIT RA 10, RA 10 S, 2007-01

Ref	Part No	Description	Remark	QTY KIT
1	506 27 92-03	BELT GUARD	14" Incl. 2, 5	1
1	506 27 92-04	BELT GUARD	16" Incl. 2, 5	1
2	506 26 66-01	BELT TENSIONER ASSY	Incl. 3, 4	1
3	503 20 30-11	SCREW SLCHM		1
4	506 26 68-01	COMPRESSION SPRING		1
5	503 22 66-01	SQUARE NUT		1

C

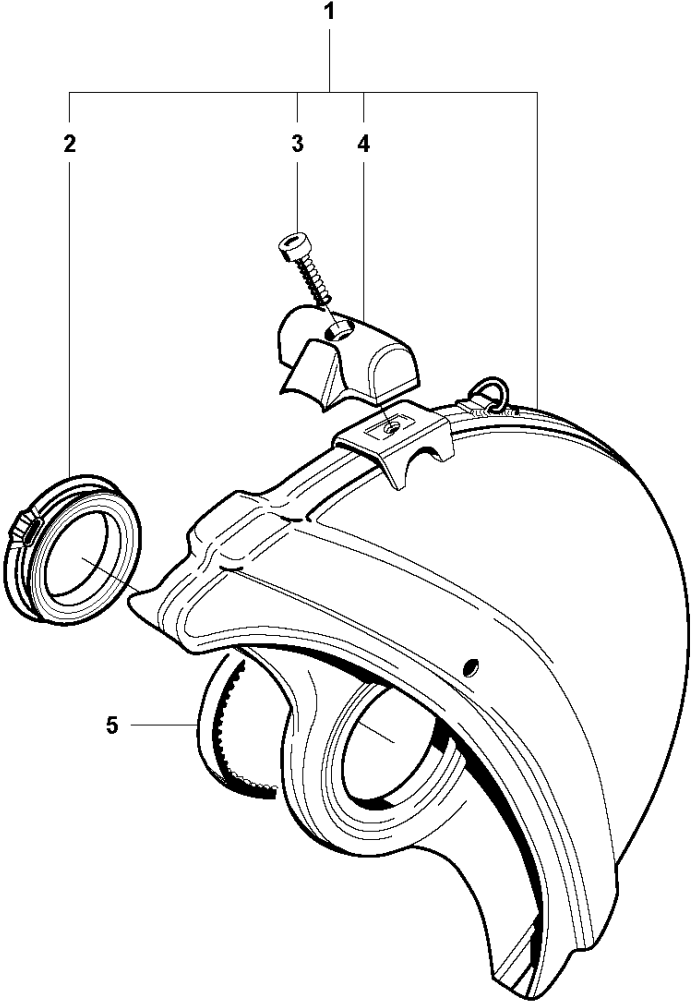


BEARING HOUSING

RAIL KIT RA 10, RA 10 S, 2007-01

Ref	Part No	Description	Remark	QTY KIT
1	544 88 75-01	BEARING HOUSING	14" Incl. 2 - 8	1
1	544 88 75-03	BEARING HOUSING	16" Incl. 2 - 8	1
2	503 20 02-16	SCREW IHSCFM		2
3	506 22 75-01	SLEEVE		2
4	506 28 84-01	SCREEN		1
5	503 25 21-01	BALL BEARING		2
6	506 07 08-01	SPACING SLEEVE		1
7	503 20 07-12	SCREW IHSCFM		2
8	506 35 07-63	SHAFT		1

D K1250 RAIL



GUARDS

RAIL KIT RA 10, RA 10 S, 2007-01

Ref	Part No	Description	Remark	QTY KIT
1	506 34 05-24	WHEEL GUARD ASSY	14" Incl. 2, 3, 4	1
1	506 34 05-26	WHEEL GUARD	16" Incl. 2, 3, 4	1
2	506 26 63-02	LINING		1
3	725 53 31-55	SCREW IHSCM		1
4	506 34 46-02	HANDLE		1
5	506 37 27-38	BELT		1