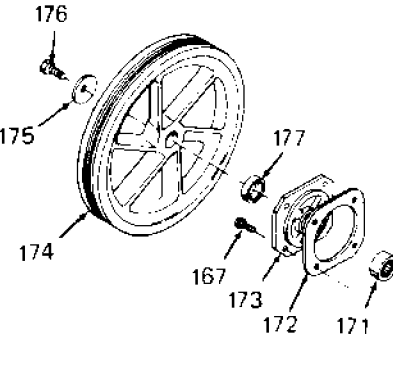
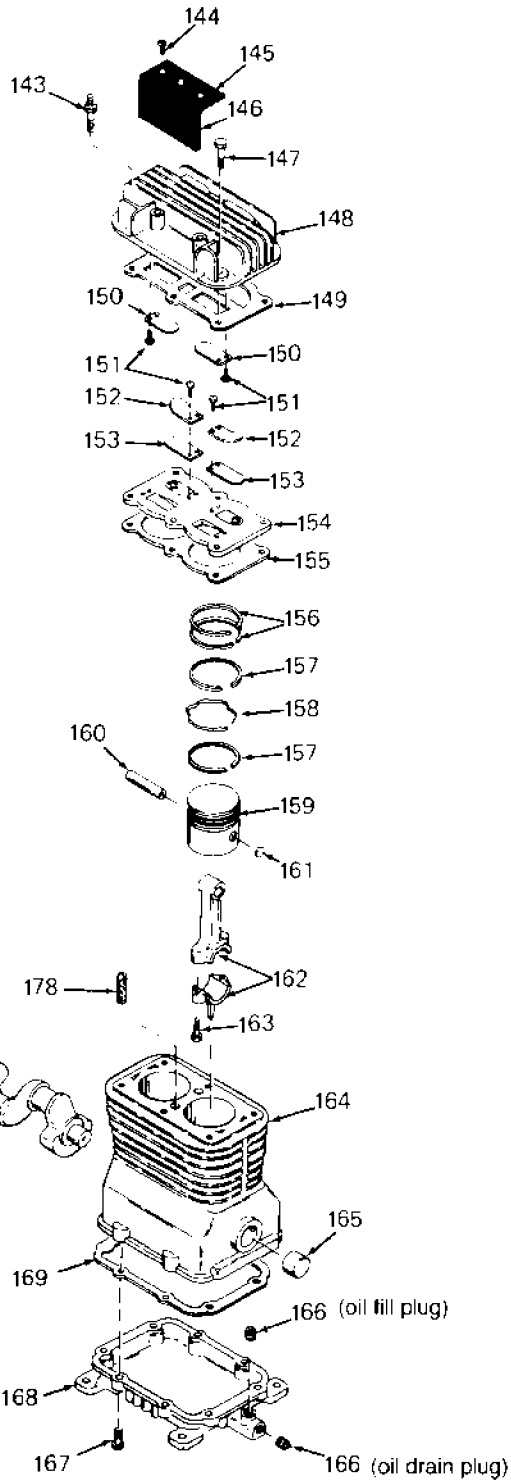


CAC-4029



Parts List for RA5E20AD Type 2

Item Number	Part Number	Description	Qty Required
1	000000-00	No Longer Available	1
2	CAC-323	BELTGUARD INSIDE	1
3	SSF-8113-ZN	NUT .375-16X.563 HEX	1
4	000000-00	No Longer Available	1
5	N076027SV	PUMP ASSEMBLY	1
6	265-17	FILTER FELT	1
7	265-18	RETAINER FILTER	1
8	CAC-61	RING PANEL MOUNTING	1
9	5140123-08	SCREW	2
10	SSP-7812	ASSY NUT SLEEVE 1/2	2
11	AC-0041	TUBE OUTLET .500OD A	1
12	97503734	VALVE SAFETY 150 .12	1
13	Z-AC-0010-1	GAUGE LEFT HAND	1
14	SSP-7811	ASSY NUT SLEEVE 1/4	2
15	AC-0028	TUBE PRES REL .250OD	1
17	AC-0007	REGULATOR 4PORT P1P2	1
18	D26889	ADAPTER .25 NPT X .2	1
21	AC-0027-2	STANDPIPE BRASS MALE	1
22	AC-0009-1	GAUGE RIGHT HAND	1
23	SUDL-415-1	ASSY CORD POWER ST	1
25	SS-8553	CONNECTOR BODY	1
26	5140112-18	PRESSURE SWITCH	1
27	CAC-4215-1	ASSY CORD MOTOR SJT	1
28	SSP-480	NIPPLE 1/4-18 NPT X	1
29	A19715	VALVE CHECK 1/2NPT X	1
30	SSF-928	SCREW .313-18X.875 H	4
31	CAC-1013	SCREW HOLD DOWN	1

Parts List for RA5E20AD Type 2

Item Number	Part Number	Description	Qty Required
32	000000-00	No Longer Available	1
33	CAC-1011	SPRING ELASTOMER	1
34	SSN-56-ZN	WASHER 1 X 11/32 X 1	1
35	N017772	LOCK WASHER	1
36	SS-2038-ZN	NUT .313-18 WING	1
37	000000-00	No Longer Available	1
38	CAC-1059	CLIP RETAINING	2
39	SUDL-6-1	STRIP RUBBER FOOT	1
40	CAC-60	BOLT .375-16X2.25 UN	2
41	D23138	WHEEL 9 BLACK SEMI-P	2
42	SSF-8080-ZN	NUT .375-16 UNC-2B H	2
43	N286039	DRAIN VALVE	1
47	D21594	PIN MOTOR MOUNT OIL	1
48	D20659	MOTOR O/L BALLERINA	1
49	SUDL-65	KEY MOTOR SHAFT	1
50	C-PU-2861	PULLEY 6J-SEC 2.80 O	1
51	SS-391	SCREW .250-20 .625 S	1
52	C-BT-223	BELT 6J 39.0 EFF	1
53	D26742	SCREW #10-16 X .500	2
54	000000-00	No Longer Available	1
143	SSF-6627	STUD SHOULDER 3/8-16	2
144	5140123-08	SCREW	2
145	265-18	RETAINER FILTER	1
146	000000-00	No Longer Available	1
147	SSF-955	SCREW .375-16X1.50 H	4
148	Z-CAC-4213	ASSY HEAD	1
149	000000-00	No Longer Available	1

Parts List for RA5E20AD Type 2

Item Number	Part Number	Description	Qty Required
150	KK-4275	KIT VALVE	1
151	KK-4275	KIT VALVE	1
152	CAC-294	PLATE RESTRICTOR	2
153	KK-4275	KIT VALVE	1
154	Z-CAC-4212-1	ASSY VALVE PLATE	1
155	000000-00	No Longer Available	1
156	000000-00	No Longer Available	1
157	000000-00	No Longer Available	1
158	000000-00	No Longer Available	1
159	CAC-55-1	PISTON MACHINE DWG 2	1
160	265-19	PIN PISTON	2
161	CAC-207	PLUG PISTON PIN	4
162	265-410	ASSY CONNECTING ROD	1
163	SSF-927	SCREW .250-20X1.125	4
164	Z-D22619	ASSY CRANKCASE/CRANK	1
165	000000-00	No Longer Available	1
166	000000-00	No Longer Available	1
167	SSF-925	SCREW .250-20X.875 H	12
168	000000-00	No Longer Available	1
170	Z-AC-0210-1	CRANKSHAFT MACHINED	1
171	000000-00	No Longer Available	1
172	000000-00	No Longer Available	1
173	000000-00	No Longer Available	1
174	265-2	FLYWHEEL 10 OD CI PO	1
175	SSN-1014-ZN	WASHER .339/.344 ID	1
176	SSF-3039-ZN	SCREW .313-18X.750 H	1
177	000000-00	No Longer Available	1

Parts List for RA5E20AD Type 2

Item Number	Part Number	Description	Qty Required
178	000000-00	No Longer Available	1
856	000000-00	No Longer Available	1
856	000000-00	No Longer Available	1
856	KK-4275	KIT VALVE	1