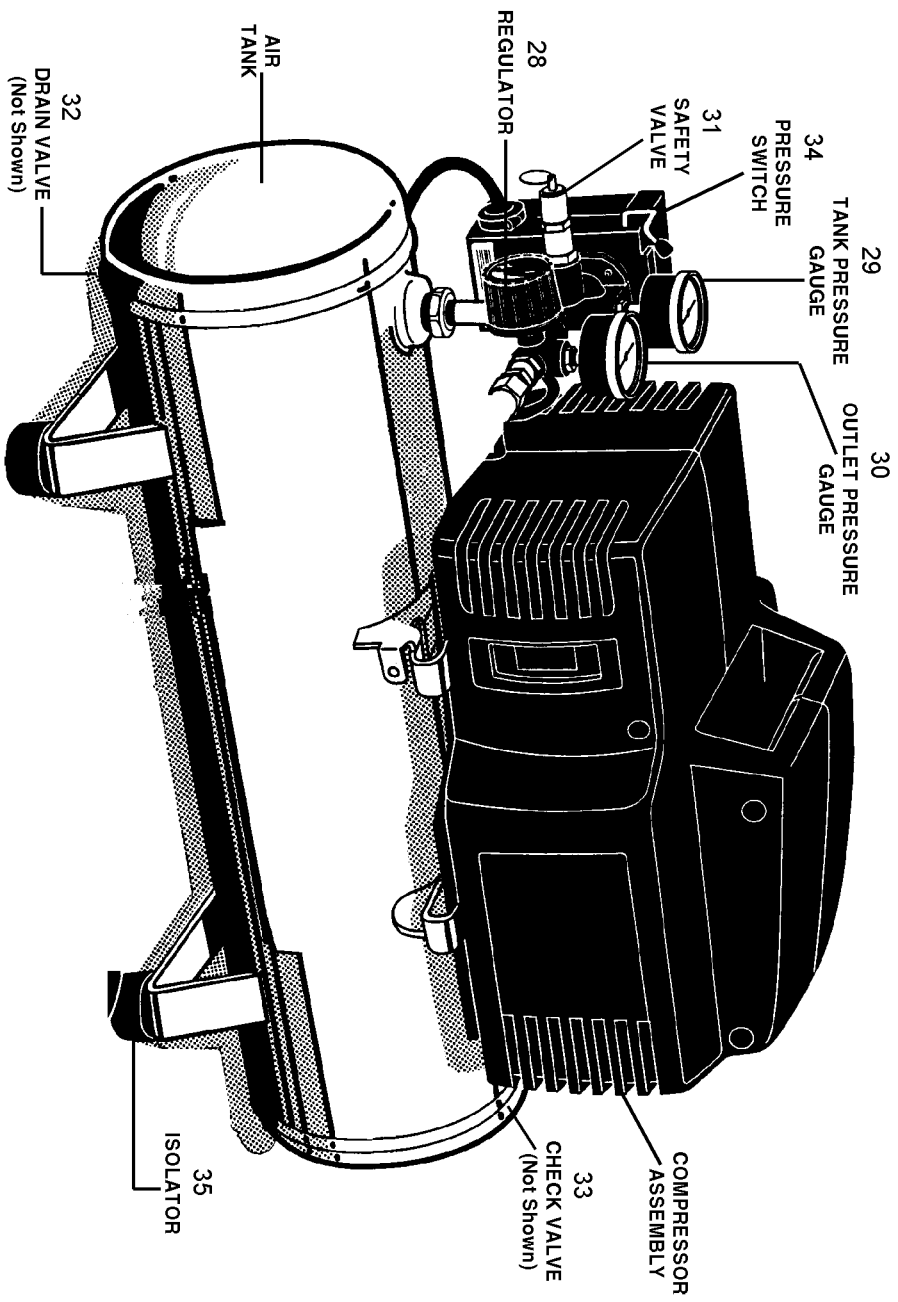


*POWER CORD (GREEN)
GROUND WIRE



Parts List for RAFA125 Type 1

| Item Number | Part Number | Description | Qty Required |
|-------------|-------------|----------------------|--------------|
| 1 | SSF-995 | SCREW #10-24X.875 HH | 4 |
| 2 | CAC-1196 | HEAD UMC | 1 |
| 3 | N044359 | TUBE SEAL | 1 |
| 4 | Z-D24819 | GASKET HEAD UMC GRAP | 1 |
| 5 | N017592SV | VALVE PLATE ASSY | 1 |
| 6 | SSG-8169 | ORING 2.132/2.096ID | 1 |
| 7 | DAC-269 | TUBE OUTLET 2.5G UMC | 1 |
| 8 | N036518 | CON ROD ASSY | 1 |
| 9 | A19123 | SCREW | 1 |
| 10 | N036518 | CON ROD ASSY | 1 |
| 11 | 000000-00 | No Longer Available | 1 |
| 12 | AC-0815 | BELT TIMING DAYCO | 1 |
| 13 | D25731 | ISOLATOR PUMP | 1 |
| 14 | 000000-00 | No Longer Available | 1 |
| 16 | CAC-1211 | HOUSING ISOLATOR | 1 |
| 17 | 000000-00 | No Longer Available | 1 |
| 18 | 000000-00 | No Longer Available | 1 |
| 19 | AC-0206 | TUBE ISOLATOR | 1 |
| 20 | 000000-00 | No Longer Available | 1 |
| 21 | 000000-00 | No Longer Available | 1 |
| 22 | SSF-3156 | SCREW #10-9X.500 THD | 4 |
| 23 | CAC-1206-1 | CLAMP HOSE .250 ID H | 1 |
| 25 | SUDL-9-1 | SCREW #8-32X.375/.34 | 1 |
| 27 | SSF-621 | SCREW .250-14X.625 F | 1 |
| 28 | CAC-4296-1 | REGULATOR 3PORT P2 L | 1 |
| 29 | Z-D23004 | GAUGE 1.5OD 200PSI . | 1 |
| 30 | Z-D23004 | GAUGE 1.5OD 200PSI . | 1 |

Parts List for RAFA125 Type 1

| Item Number | Part Number | Description | Qty Required |
|-------------|--------------|----------------------|--------------|
| 31 | TIA-4150 | VALVE SAFETY 150 .25 | 1 |
| 32 | N286039 | DRAIN VALVE | 1 |
| 33 | D24879 | VALVE CHECK 1/2NPT X | 1 |
| 34 | Z-DAC-4105-2 | SWITCH PRESS 4PORT 1 | 1 |
| 35 | SST-5314-1 | BUMPER RECESS RUBBER | 4 |
| 856 | N036518 | CON ROD ASSY | 1 |
| 856 | 000000-00 | No Longer Available | 1 |
| 856 | KK-4929 | KIT FASTENER | 1 |