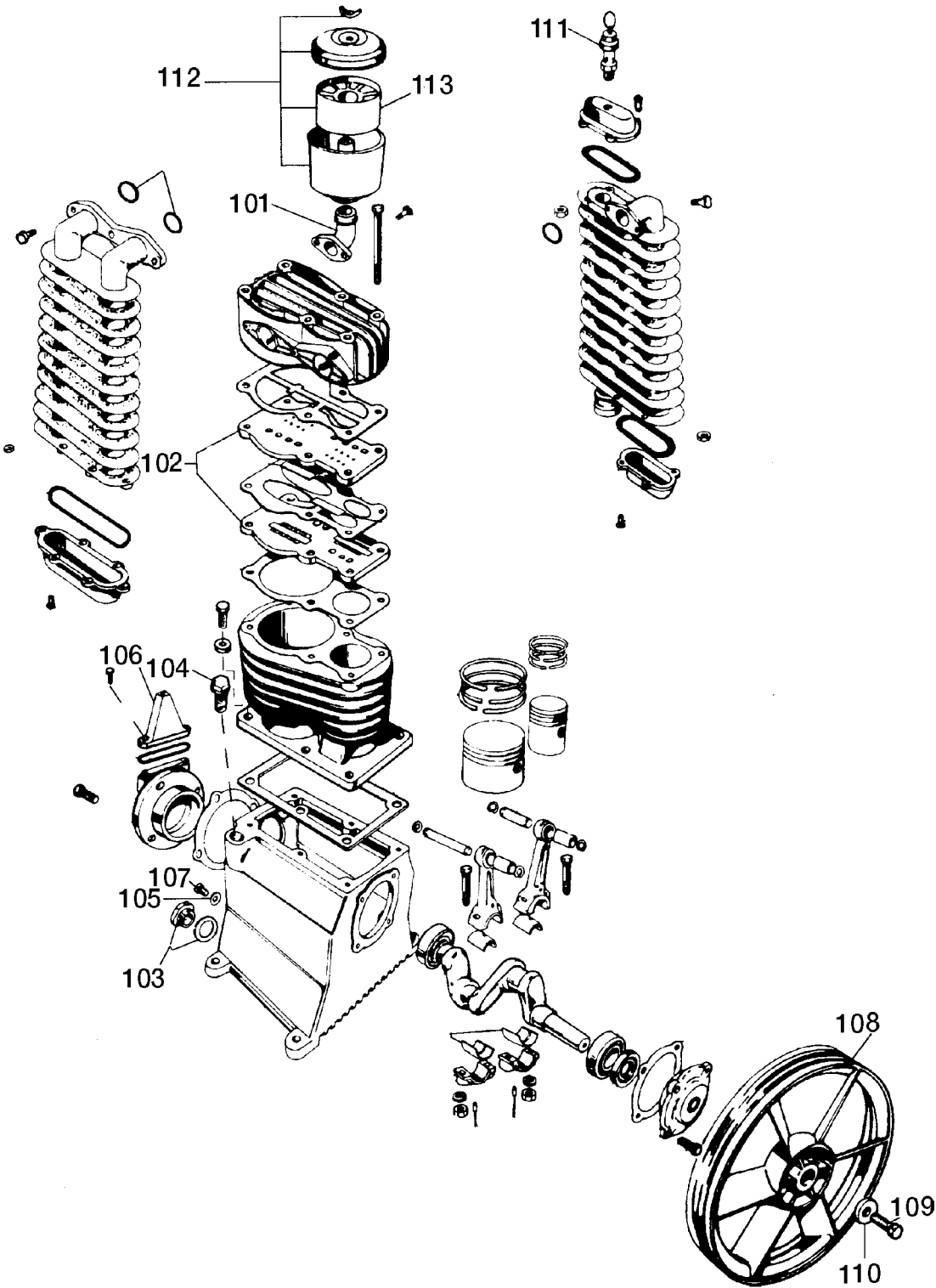


# BAL-T39



## Parts List for RALM7580V2C Type 0

| Item Number | Part Number | Description          | Qty Required |
|-------------|-------------|----------------------|--------------|
| 1           | 000000-00   | No Longer Available  | 1            |
| 2           | MO-9071     | MOTOR 7.5HP          | 1            |
| 2           | A08093      | START CAPACITOR      | 1            |
| 3           | 5140110-49  | PRESSURE SWITCH      | 1            |
| 4           | TIA-4200    | VALVE SAFETY 200 .25 | 1            |
| 5           | GA-360-B    | GAUGE 300 PSI BACK M | 1            |
| 6           | N000323     | VALVE GLOBE 200 PSI  | 1            |
| 7           | N286039     | DRAIN VALVE          | 1            |
| 8           | 000000-00   | No Longer Available  | 1            |
| 8           | 000000-00   | No Longer Available  | 1            |
| 9           | SSF-953-ZN  | SCREW #10X.625 HHW S | 1            |
| 10          | PU-2898     | PULLEY 2A-SEC 5.75 O | 1            |
| 11          | BT-312      | BELT A-SEC 63.00 EFF | 2            |
| 12          | SSF-8131    | NUT SPEED 8AB U TYPE | 2            |
| 13          | 000000-00   | No Longer Available  | 1            |
| 14          | 000000-00   | No Longer Available  | 1            |
| 15          | 000000-00   | No Longer Available  | 1            |
| 16          | SSP-7811    | ASSY NUT SLEEVE 1/4  | 2            |
| 17          | 000000-00   | No Longer Available  | 1            |
| 18          | SSP-7824    | ASSY NUT SLEEVE 5/8  | 1            |
| 101         | ABP-1000123 | ELBOW INLET T39      | 1            |
| 102         | BAL-1000345 | PLATE VALVE          | 1            |
| 103         | BAL-1000306 | GLASS SIGHT OIL      | 1            |
| 104         | 000000-00   | No Longer Available  | 1            |
| 105         | BAL-1000269 | GASKET OIL FILL PLUG | 1            |
| 106         | BAL-1000112 | ASSY OIL BREATHER BA | 1            |
| 107         | 000000-00   | No Longer Available  | 1            |

## Parts List for RALM7580V2C Type 0

| Item Number | Part Number | Description          | Qty Required |
|-------------|-------------|----------------------|--------------|
| 108         | AC-0436     | FLYWHEEL T39         | 1            |
| 109         | BAL-1000587 | BOLT FLYWHEEL NS39 B | 1            |
| 110         | BAL-1000417 | WASHER FLYWHEEL NS39 | 1            |
| 111         | ABP-9049020 | VALVE SAFETY         | 1            |
| 112         | AC-0437     | FILTER INLET SOLBERG | 1            |
| 113         | AC-0438     | ELEMENT FILTER T29 & | 1            |
| 856         | 000000-00   | No Longer Available  | 1            |
| 856         | 000000-00   | No Longer Available  | 1            |
| 856         | 000000-00   | No Longer Available  | 1            |
| 856         | DAC-252     | VALVE CHECK 1/2NPT X | 1            |
| 856         | AC-0485     | BRACKET BELTGUARD    | 1            |
| 856         | BAL-8226022 | KIT GASKET T39       | 1            |
| 856         | BAL-8226024 | KIT VALVE T39        | 1            |