

RYOBI PAINT STATION TOOL - MODEL NUMBER RAP200G

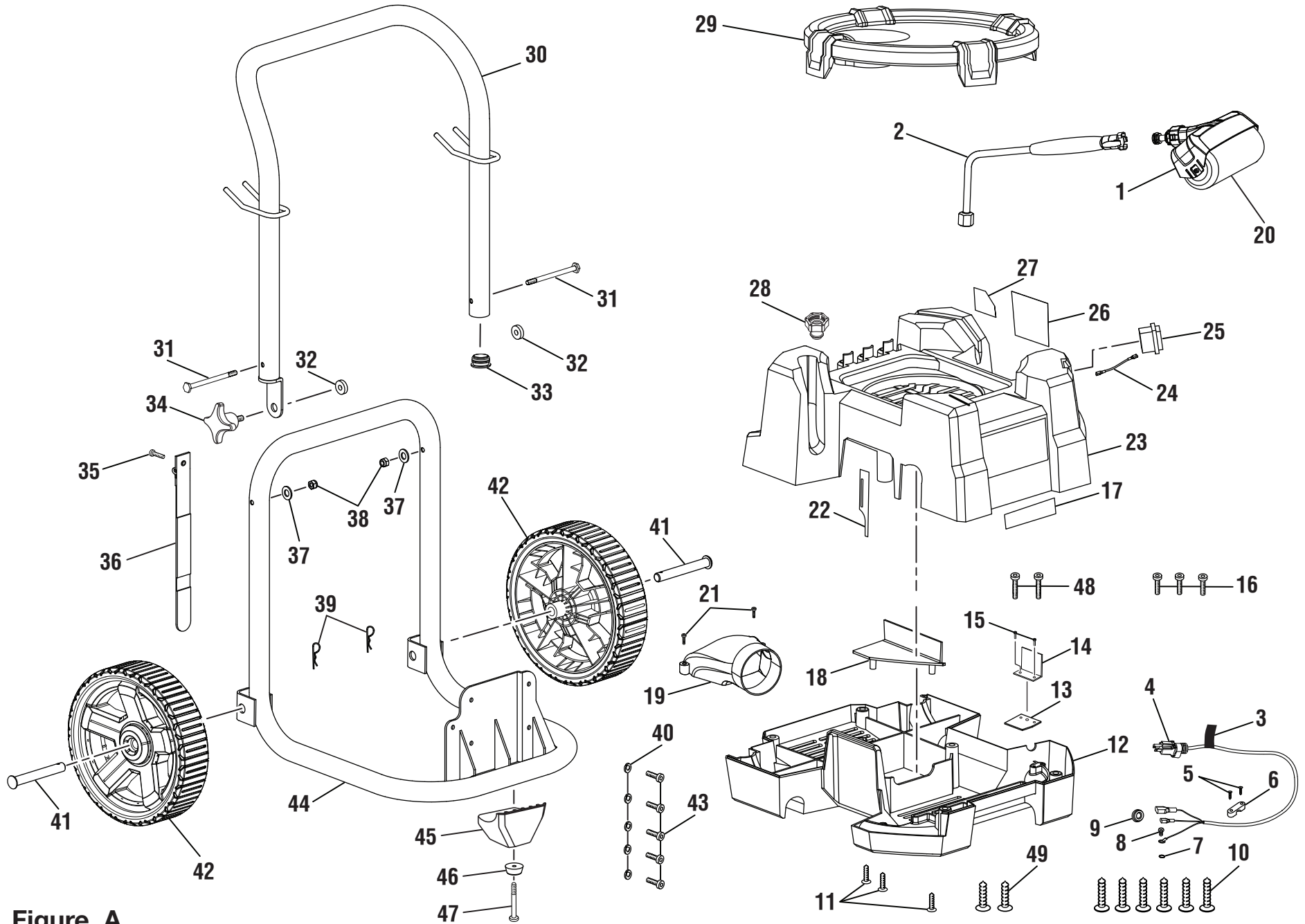


Figure A

RYOBI PAINT STATION TOOL – MODEL NUMBER RAP200G

PARTS LIST
(Figure A)

KEY NO.	PART NUMBER	DESCRIPTION	QTY	KEY NO.	PART NUMBER	DESCRIPTION	QTY
1	039747004034	Roller Attachment Assembly	1	27	039747005011	Data Label	1
2	039747004003	Roller Handle Assembly	1	28	039747004002	Barb Hose Fitting	1
3	039747001171	Danger Cord Wrap Label	1	29	039747005157	Bucket Lid Assembly	1
4	039747004006	Power Cord (16 in.).....	1	30	039747005029	Upper Frame	1
5	039747001139	Screw (4.8 x 13 mm)	2	31	039747001109	Bolt (M8 x 75 mm).....	2
6	039747001123	Cord Clamp.....	1	32	039747001111	Internal Washer	2
7	039747001136	Washer	1	33	039747001112	End Cap	1
8	039747001135	Screw	1	34	039747005008	Knob Assembly	1
9	039747001124	Bend Relief.....	1	35	039747001107	Screw (M5 x 12 mm)	1
10	039747001082	Screw (M6.3 x 25 mm)	6	36	039747001106	Strap.....	1
11	039747001083	Screw (M4.8 x 13 mm)	3	37	039747001105	Washer	2
12	039747005084	Base Support	1	38	039747001104	Nut.....	2
13	039747001140	Cooling Aluminum Block.....	1	39	039747001102	Split Pins (3.2 x 18).....	2
14	039747001008	Circuit Board Assembly.....	1	40	039747001138	Spring Washer (Ø5.0)	5
15	039747005196	Screw (M4.2 x 16 mm)	2	41	039747001099	Wheel Shaft (Axle)	2
16	039747005027	Screw (M5 x 20 mm)	3	42	039747001098	Wheel Assembly.....	2
17	039747005177	Logo Label	1	43	039747001103	Screw (M5 x 14 mm)	5
18	039747004026	Partial Cover.....	1	44	039747005097	Lower Frame	1
19	039747001126	Air Flow Hose	1	45	039748001057	Frame Foot.....	1
20	039747004024	Paint Roller (3/8 in. x 9 in.)	1	46	039747001095	Rubber Pad	1
21	039747001127	Screw	2	47	039747001094	Screw (M5 x 45 mm)	1
22	039747001173	Pressure Control Indicator Label.....	1	48	039747005033	Screw (M5 x 25 mm)	2
23	039747002008	Base Cover.....	1	49	039747005034	Screw (M6.3 x 22 mm)	2
24	039747001146	Internal Wiring w/Terminal.....	1				
25	039747001087	On/Off Switch.....	1				
26	039747001170	Warning Label	1				

Not Shown:

990000364 Operator's Manual (039747005031)

5-2-13
(Rev:02)

RYOBI PAINT STATION TOOL - MODEL NUMBER RAP200G

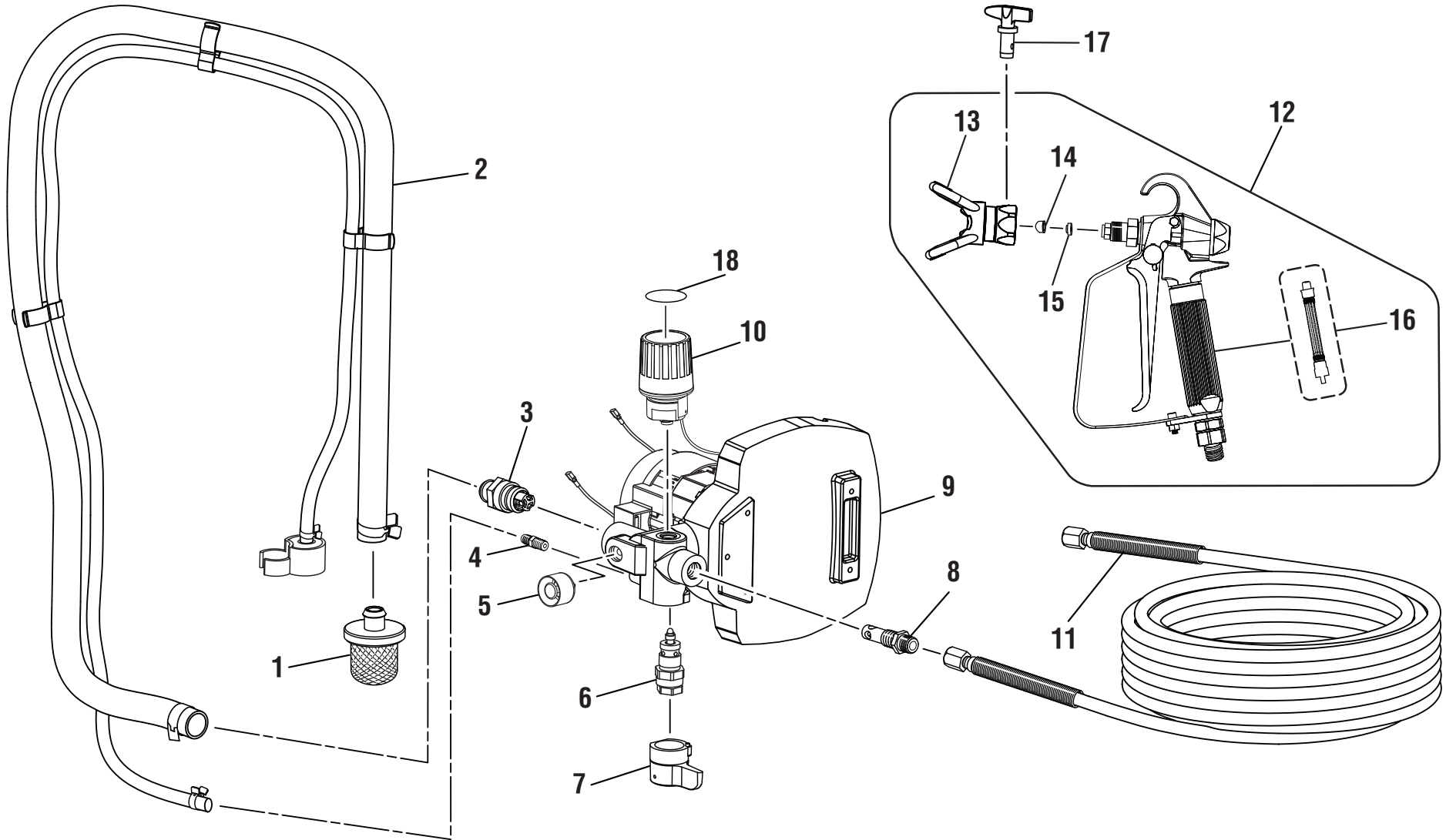


Figure B

RYOBI PAINT STATION TOOL – MODEL NUMBER RAP200G

The model number will be found on a plate attached to the motor housing. Always mention the model number in all correspondence regarding your **PAINT STATION TOOL** or when ordering parts.

PARTS LIST
(Figure B)

KEY NO.	PART NUMBER	DESCRIPTION	QTY	KEY NO.	PART NUMBER	DESCRIPTION	QTY
1	039747001042	Barb Pick-up Filter	1	10	039747005151	Pressure Regulator Assembly	1
2	039747001152	Hose Assembly (Inc. Key No. 1).....	1	11	039747001080	Pressure Fluid Hose (25 ft.)	1
3	039747001131	Inlet Valve Assembly	1	12	039747001195	Pistol-Grip Sprayer (Inc. Key Nos. 13-16)	1
4	039747001051	Clean Adaptor	1	13	039747001187	Tip Guard Assembly.....	1
5	039747005020	Ball Plunger Assembly	1	14	039747001184	Tip Saddle	1
6	039747001153	Pressure Relief Valve Assembly	1	15	039747001185	Tip O-ring	1
7	039747005154	Pressure Relief Knob Assembly	1	16	039747001191	Filter	1
8	039747001156	Outlet Valve Assembly.....	1	17	039747005089	515 Tip	1
9	039747004021	Complete Pump Assembly	1	18	039747001029	Pressure Control Dial Label.....	1