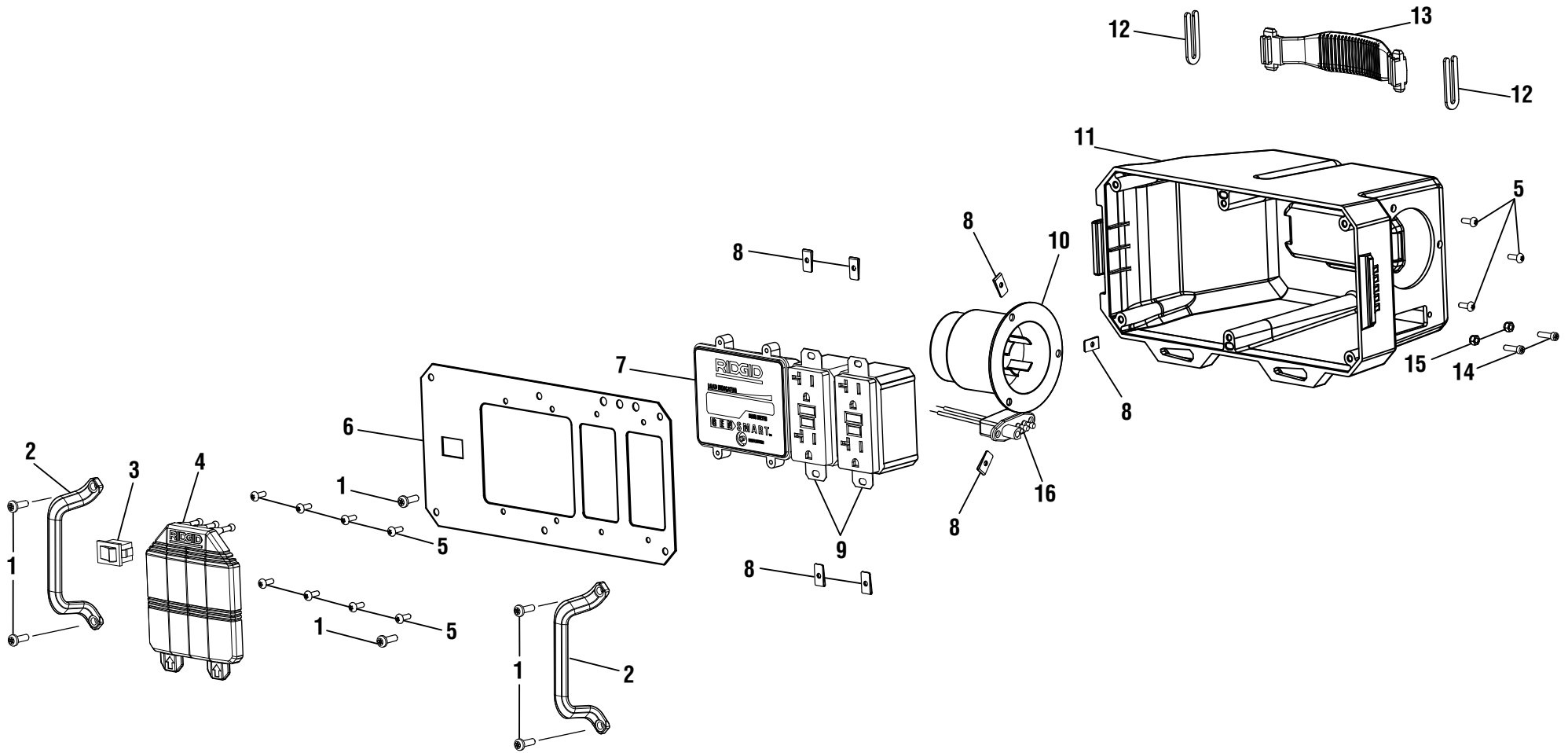




# RD6800/RD68011/RDCA6800

KEY	P/N	DESCRIPTION	QTY	KEY	P/N	DESCRIPTION	QTY	KEY	P/N	DESCRIPTION	QTY
1	561383003	Grommet (16 mm) .....	1	35	591084001	Fuel Cap (RD6800/RDCA6800) .....	1	67	940596002	Running Watts Label (RD6800/RD68011) .....	1
2	290429002	Stationary Receptacle Box (RD6800) .....	1		310720010	Fuel Cap, Carb (RD68011) .....	1		940596004	Running Watts Label (RDCA6800) .....	1
	290429007	Stationary Receptacle Box (RD68011) .....	1	36	638497011	Heat Shield .....	1	68	940686045	Starting Watts Label (RD6800/RD68011) .....	1
	290429009	Stationary Receptacle Box (RDCA6800) .....	1	37	519812002	Slide Rail (Non Muffler Side) .....	1		940686056	Starting Watts Label (RDCA6800) .....	1
3	290429006	Remote Receptacle Box (Electric GFCI, RD6800/RD68011) .....	1	38	638634002	Compression Latch .....	1	69	940654088	Combustion Warning Label (RD6800/RD68011) .....	1
	290429008	Remote Receptacle Box (Electric GFCI, RDCA6800) .....	1	39	518932002	End Cap (35mm) .....	2		940947003	Combustion Warning Label (RDCA6800) .....	1
4	519815001	Receptacle Box Cover .....	1	40	661596001	Screw (10-24 x 3/4 in., T25, Torx Pan Hd.) ....	4	70	940819002	Cord Wrap Label .....	1
5	678145002	Hex Nut (5/16-18) .....	5	41	660899002	Screw (8-18 x 1/2 in.) .....	5	71	940597001	Gensmart Instruction Label .....	1
6	638678002	Lock Washer (5/16 in.) .....	4	42	660591006	Bolt (5/16-18 x 1-1/2 in., Hex Hd.) .....	4	72	940937004	Fuel Valve Label .....	1
7	570356001	Vibration Isolator .....	4	43	519812003	Slide Rail (Muffler Side) .....	1	73	290426002	Extension Cord (25 ft., AC/DC) .....	1
8	Note A	Engine (Yamaha MZ360) .....	1	44	661503005	Screw (1/4-20 x 1 in. Hex Hd.) .....	4	74	310662005	Cord Wrap .....	1
9	310711025	Fuel Tank (RD6800/RDCA6800) .....	1	45	660599002	Bolt (5/16-24 x 5/8 in.) .....	2	75	310712001	Handle Lock Pin .....	1
	310711042	Fuel Tank (RD68011) .....	1	46	940872001	E85 Label .....	1	76	308640002	Bungee Cord .....	1
10	308910001	Quick Release Pin .....	1	47	661503004	Bolt (1/4-20 x 1-1/4 in.) .....	1	77	678408006	Fuel Line Clamp (1/2 in.) .....	6
11	661555002	Screw (1/4-20 x 2.1 in., T30, Torx Hd.) .....	1	48	660901006	Bolt (1/4-20 48.5 mm, T30, Torx Hd.) .....	2	78	638147003	Spark Arrestor .....	1
12	519812001	Upper Slide Rail .....	2	49	290404001	Ground Wire Assembly .....	1	79	661306001	Screw (8-32 x 3/8 in.) .....	4
13	678610002	Flange Nut (M4) .....	6	50	638704001	Washer Star (5/16 in.) .....	2	80	570358016	Fuel Line Hose (1/4 in. ID x 16 in.) .....	1
14	661555001	Bolt (M4 x 12.5 mm Soc. Button Hd.) .....	6	51	661502005	Bolt (5/16-18 x 3/4 in. Hex Hd.) .....	1	81	570358015	Fuel Line Hose (1/4 in. ID x 3.5 in.) .....	1
15	678600002	Washer (M4) .....	10	52	638703001	Ground Lug .....	1	82	570358014	Fuel Line Hose (1/4 in. ID x 12.6 in.) .....	1
16	570712001	Rubber Bumper .....	6	53	310225001	Fuel Tank Bushing .....	4	83	308733001	Fuel Line Filter .....	1
17	678259003	Lock Nut (5/16-18) .....	2	54	638702006	Bracket .....	1	84	308459002	Fuel Shut Off Valve (Inline 1/4 in. x 1/4-90) .....	1
18	638128002	Washer (5/16 in.) .....	3	55	638706005	Foot (Non Muffler Side) .....	1	85	310722004	Canister (RD68011) .....	1
19	678522006	Pivot Pin (Handle) .....	2	56	940595002	Zero Gravity Label .....	2	86	678714003	Bracket (Carb. Canister, RD68011) .....	1
20	308638013	Handle Assembly .....	1	57	940680028	Hot Surface Warning Label .....	1	87	660502005	Bolt (5/16-18 x 3/4 in., Grade 5, RD68011) .....	2
21	678146002	Hitch Pin .....	2	58	940707022	Danger Warning General Label (RD6800/RD68011/RDCA6800) .....	1	88	519813003	Tube Cover (RD68011) .....	1
22	620505001	Axle .....	2	59	940513008	Ground Warning Label .....	1	89	638710001	Rollover Valve (RD68011) .....	1
23	308451022	Wheel (12 in. x 4 in.) .....	2	60	940678075	Data Label (RD6800) .....	1	90	638711001	Bushing (Rollover Valve) .....	1
24	638128001	Washer (5/8 in.) .....	2		940678105	Data Label (RD6800G) .....	1	91	570358017	Purge Hose (RD68011) .....	1
25	678819001	Wire Clamp .....	1		940678080	Data Label (RD68011) .....	1	92	570358018	Rollover Hose (RD68011) .....	1
26	310222009	Frame Assembly .....	1		940678098	Data Label (RDCA6800) .....	1	93	900333012	Cable Tie (18.6 in., RD68011) .....	1
27	638706004	Foot (Muffler Side) .....	1	61	940758005	Pull Pin Release Label .....	1	94	638128006	Handle Spacer (4 mm) .....	1
28	570554001	Rubber Foot .....	2	62	940617047	Quick Start Label (RD6800/RD68011) .....	1	95	661503005	Bolt (1/4-20 x 1 in. Hex Hd.) .....	4
29	638387002	Washer (1/4 in.) .....	16		940612065	Quick Start Label (RDCA6800) .....	1	96	638678003	Lock Washer (1/4-20) .....	4
30	678016006	Lock Nut (1/4-20) .....	12	63	940515017	CPSC Label (RD6800/RD68011) .....	1	97	678681003	Cap Nut (1/4-20) .....	2
31	660901003	Screw (1/4-20 x 1 in., T27, Torx Hd.) .....	8		940515007	CPSC Label (RDCA6800) .....	1				
32	660900002	Screw (1/4-15 x 1.5 in. Torx Pan Hd.) .....	12	64	940708007	Engine Oil Label .....	1				
33	309322002	Muffler .....	1	65	940971068	Fuel Hangtag Label (RD6800/RD68011) .....	1				
34	310227013	Generator Head .....	1		940971041	Fuel Hangtag Label (RDCA6800) .....	1				
				66	940513002	Ground Label .....	1				

**Not Shown:**  
987000521 Operator's Manual

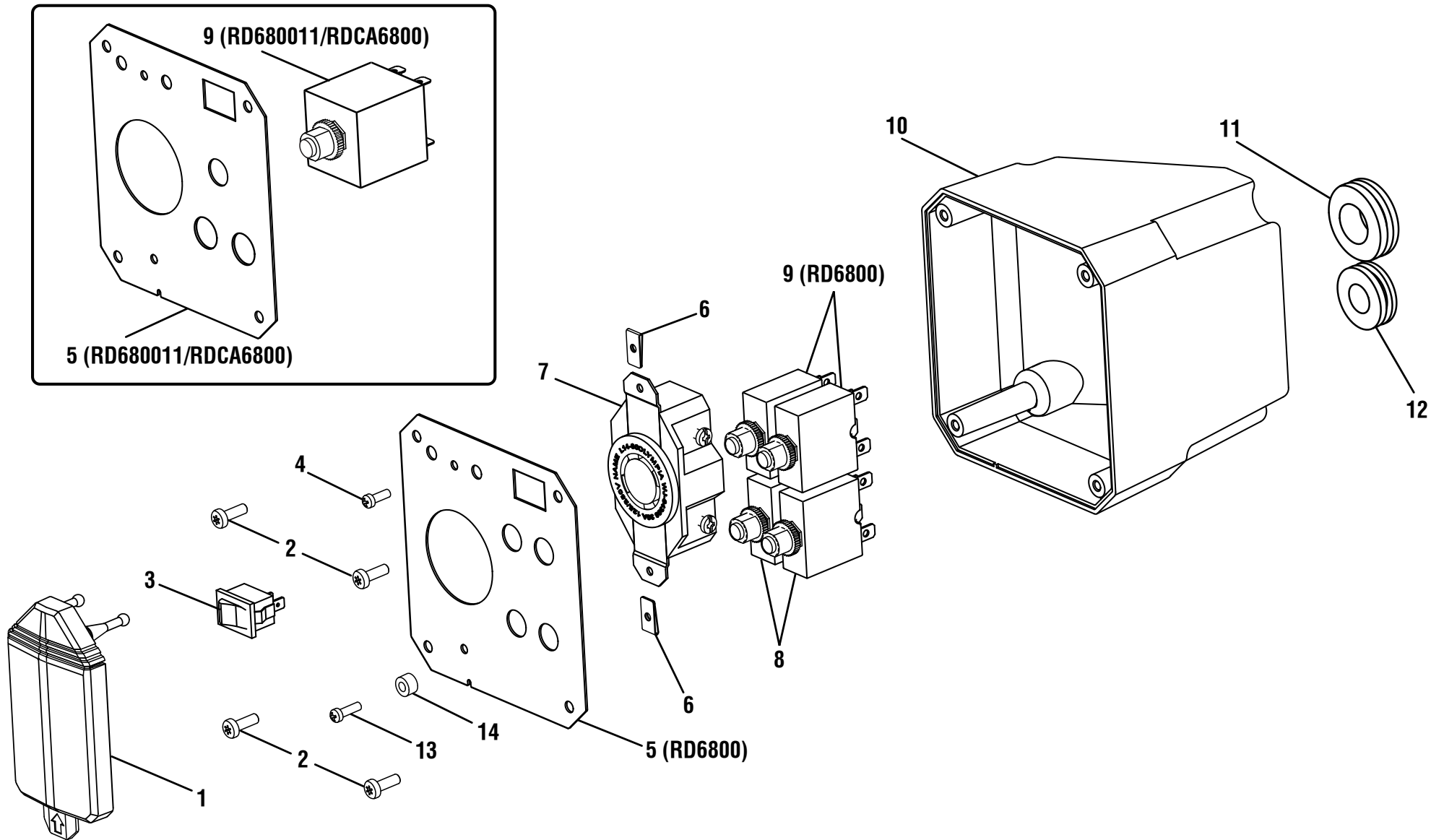




# RD6800/RD68011/RDCA6800

Figure B/ Figura B

KEY	P/N	DESCRIPTION	QTY	PIÈCE RÉF.	DESCRIPTION	QTÉ	REF. N/P	DESCRIPCIÓN	CANT.
1	660899003	Screw (8-18 x 3/4 in. Torx Hd.).....	6	1 660899003	Vis (8-18 x 3/4 po, empreinte à six pans) .....	6	1 660899003	Tornillo (8-18 x 3/4 pulg., cabeza de torx) .....	6
2	638701004	Handle (Remote Control Panel).....	2	2 638701004	Poignée (Panneau de commande à distance).....	2	2 638701004	Mango (Panel del control remoto).....	2
3	760700002	Switch (On/Off).....	1	3 760700002	Interrupteur marche/arrêt.....	1	3 760700002	Interruptor de encendido/apagado.....	1
4	570409001	Outlet Cover.....	1	4 570409001	Couvercle de prise.....	1	4 570409001	Cubierta de salida.....	1
5	660901004	Screw (6-20 x 3/8 in. Torx Hd.).....	11	5 660901004	Vis (6-20 x 3/8 po, empreinte à six pans) .....	11	5 660901004	Tornillo (6-20 x 3/8 pulg., cabeza de torx) .....	11
6	638700009 638700011	Cover Plate (Remote Control Panel) Cover Plate (Remote Control Panel, RDCA6800).....	1 1	6 638700009 638700011	Couverture (Panneau de commande à distance)..... Couverture (Panneau de commande à distance, RDCA6800).....	1 1	6 638700009 638700011	Placa Tapa (Panel del control remoto)..... Placa Tapa (Panel del control remoto, RDCA6800).....	1 1
7	290432004 290432003	GenSmart™ Monitoring System GenSmart™ Monitoring System (RDCA6800).....	1 1	7 290432004 290432003	Système de surveillance GenSmart™ Système de surveillance GenSmart™ (RDCA6800).....	1 1	7 290432004 290432003	Sistema de monitoreo GenSmart™ Sistema de monitoreo GenSmart™ (RDCA6800).....	1 1
8	678244002	Speed Nut (6-18).....	7	8 678244002	Écrou rapide (6-18).....	7	8 678244002	Tuerca de apriete rápido (6-18).....	7
9	290400010	20 Amp Duplex GFCI Receptacle (120 Volts AC).....	2	9 290400010	Prise double de disjoncteur de fuite à la terre de 20 A (120 V c.a).....	2	9 290400010	Receptáculo doble de 20 A con GFCI (120 V corr. alt.) .....	2
10	290430001	20 Amp Inlet (120/240 Volts AC).....	1	10 290430001	Prise de 20 A (120/240 V c.a).....	1	10 290430001	Entrada de 20 A (120/240 V corr. alt.) .....	1
11	519813002	Control Panel Box (Remote).....	1	11 519813002	Boîtier du panneau de contrôle (distant) .....	1	11 519813002	Caja del panel de control (remota) .....	1
12	678815002	Clip.....	2	12 678815002	Agrafe.....	2	12 678815002	Sujetador.....	2
13	570372001	Carrying Handle.....	1	13 570372001	Poignée de transport.....	1	13 570372001	Mango de acarreo.....	1
14	661597001	Screw (6-32 x 1/2 in. Torx Hd.).....	2	14 661597001	Vis (6-32 x 1/2 po, empreinte à six pans) .....	2	14 661597001	Tornillo (6-32 x 1/2 pulg., cabeza de torx) .....	2
15	678720001	Lock Nut (6-32).....	2	15 678720001	Écrou de blocage (6-32).....	2	15 678720001	Contratuerca (6-32) .....	2
16	290960001	Pigtail (DC to Remote Box).....	1	16 290960001	Natte (CC vers le boîtier distant) .....	1	16 290960001	Coleta (corr. cont. a caja remota) .....	1
17	290428002	Wire Kit (Remote Box).....	1	17 290428002	Ensemble de fils (Boîtier distant).....	1	17 290428002	Juego de alambre (caja alejada).....	1

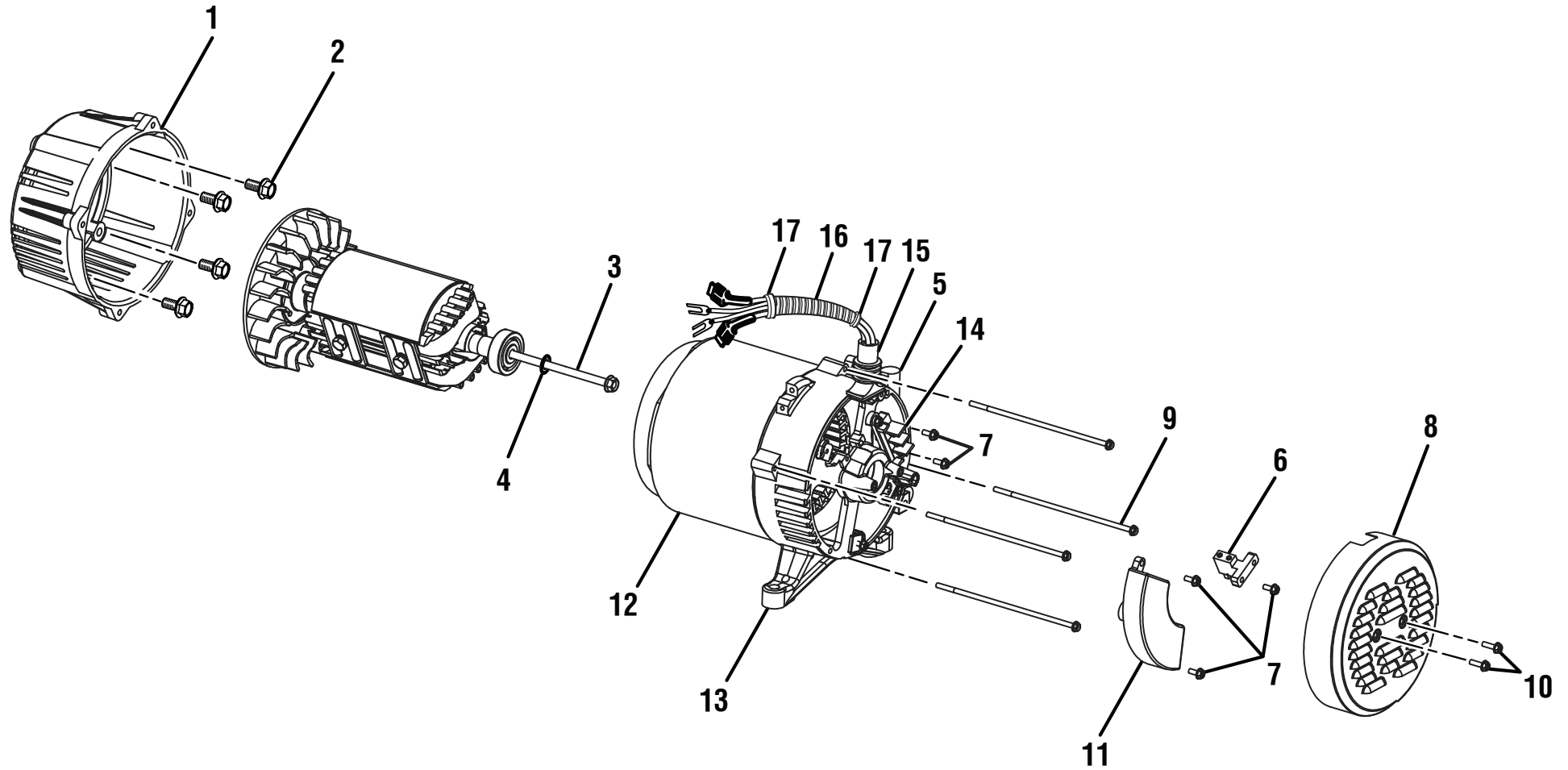




# RD6800/RD68011/RDCA6800

Figure C/ Figura C

KEY	P/N	DESCRIPTION	QTY	PIÈCE RÉF.	DESCRIPTION	QTÉ	REF. N/P	DESCRIPCIÓN	CANT.
1	570409002	Receptacle Cover.....	1	570409002	Dispositif de protection de la prise .....	1	1 570409002	Tapa del receptáculo .....	1
2	660899002	Screw (8-18 x 1/2 in. Torx Hd.).....	4	660899002	Vis (8-18 x 1/2 po, empreinte à six pans) .....	4	2 660899002	Tornillo (8-18 x 1/2 pulg., cabeza de torx) .....	4
3	760700002	Switch (On/Off).....	1						
4	660901004	Screw (6-20 x 3/8 in. Torx Hd.).....	1	3 760700002	Interrupteur marche/arrêt .....	1	3 760700002	Interruptor de encendido/apagado .....	1
5	638700005	Cover Plate (Stationary Control Panel) (RD6800).....	1	4 660901004	Vis (6-20 x 3/8 po, empreinte à six pans) .....	1	4 660901004	Tornillo (6-20 x 3/8 pulg., cabeza de torx) .....	1
	638700012	Cover Plate (Stationary Control Panel) (RDCA6800).....	1	5 638700005	Couverture (panneau de commande stationnaire, RD6800).....	1	5 638700005	Placa tapa (panel de control fijo, RD6800).....	1
	638700010	Cover Plate (Stationary Control Panel) (RD68011).....	1	638700012	Couverture (panneau de commande stationnaire, RDCA6800).....	1	638700012	Placa tapa (panel de control fijo, RDCA6800).....	1
6	678244002	Speed Nut (6-18) .....	2	638700010	Couverture (panneau de commande stationnaire, RD68011).....	1	638700010	Cover Plate (Stationary Control Panel, RD68011).....	1
7	290401001	30 Amp Twist Lock Receptacle (120/240 Volts AC).....	1	6 678244002	Écrou rapide (6-18).....	2	6 678244002	Tuerca de apriete rápido (6-18) .....	2
8	780350001	20 Amp Circuit Breaker (120 Volts AC) .....	2	7 290401001	Prise à verrouillage par rotation 30 A (120/240 V c.a.) .....	1	7 290401001	Receptáculo de fijación por giro de 30 A (120/240 V corr. alt.) .....	1
9	780351001	30 Amp Circuit Breaker (120 Volts AC, RD6800).....	2	8 780350001	20 Ampères disjoncteur (120 V c.a.).....	2	8 780350001	20 Amperios disyuntor (120 V corr. cont.) .....	2
	780351004	30 Amp Circuit Breaker (240 Volts AC, RD68011/RDCA6800) .....	2	9 780351001	30 Ampères disjoncteur (120 V c.a., R6800) .....	2	9 780351001	30 Amperios disyuntor (120 V corr. cont., RD6800) .....	2
10	519813001	Control Panel Box (Stationary) .....	1	9 780351004	30 Ampères disjoncteur (240 V c.a., RD68011/RDCA6800) .....	2	780351004	30 Amperios disyuntor (240 V corr. cont., RD68011/RDCA6800) .....	2
11	561383003	Grommet (17.5 mm) .....	1	10 519813001	Le panneau de commande boîte (stationnaire).....	1	10 519813001	Panel de control caja (fija) .....	1
12	561383002	Grommet (12.7 mm) .....	1	11 561383003	Oeillet (17,5 mm) .....	1	11 561383003	Ojal (17,5 mm) .....	1
13	660961002	Screw (6-20 x 1/2 in., Torx Hd.).....	1	12 561383002	Oeillet (12,7 mm) .....	1	12 561383002	Ojal (12,7 mm) .....	1
14	638128005	Spacer (4 mm) .....	1	13 660961002	Vis (6-20 x 1/2 po, empreinte à six pans) .....	1	13 660961002	Tornillo (6-20 x 1/2 pulg., cabeza de torx) .....	1
15	290428003	Wire Kit (Stationary Box) .....	1	14 638128005	Entretoise (4 mm) .....	1	14 638128005	Separador (4 mm).....	1
16	290434001	Pigtail (Remote Box to Stationary Box) (120/240 Volts AC).....	1	15 290428003	Ensemble de fils (Boîtier fixe) .....	1	15 290428003	Juego de alambre (caja estacionaria).....	1
17	290434002	Pigtail (Generator Head, RD6800/RD68011)..	1	16 290434001	Natte (du boîtier distant au boîtier fixe, 120/240 V c.a.) .....	1	16 290434001	Coleta (caja alejada a caja estacionaria (120/240 V corr. cont.).....	1
	290434003	Pigtail (Generator Head, RDCA6800).....	1	17 290434002	Natte (moteur de la générateur, RD6800/RD68011) .....	1	17 290434002	Coleta (cabezal del generador, RD6800/RD68011) .....	1
18	290435002	Pigtail (DC to Engine) .....	1	18 290435002	Natte (moteur de la générateur, RDCA6800)..	1	18 290435002	Coleta (cabezal del generador, RDCA6800)...	1
								Coleta (corr. cont. al motor).....	1





# RD6800/RD68011/RDCA6800

KEY	P/N	DESCRIPTION	QTY	PIÈCE RÉF.	DESCRIPTION	QTÉ	REF. N/P	DESCRIPCIÓN	CANT.				
1	640331002	Adaptor Housing (RD6800/RD68011).....	1	640331002	Logement de l'adaptateur (RD6800/RD68011).....	1	640331002	Caracasa del adaptador (RD6800/RD68011).....	1				
	640331005	Adaptor Housing (RD6800G/RDCA6800).....	1		Logement de l'adaptateur (RD6800G/RDCA6800).....	1	640331005	Caracasa del adaptador (RD6800G/RDCA6800).....	1				
2	660596002	Bolt (3/8-18 x 1-1/4 in.).....	4	640331005	Logement de l'adaptateur (RD6800G/RDCA6800).....	1							
3	660596007	Bolt (5/16-24).....	1		Boulon (3/8-16 x 1-1/4 po).....	4	2	660596002	Perno (3/8-16 x 1-1/4 pulg.).....	4			
4	638678002	Washer (5/16 in., RD6800/RD68011).....	1		Boulon (5/16-24).....	1	3	660596007	Perno (5/16-24).....	1			
	638623002	Washer (5/16 in., RD6800G/RDCA6800).....	1		Rondelle frein (5/16 po, RD6800/RD68011)...	1	4	638678002	Arandela de fijación (5/16 pulg., RD6800/RD68011).....	1			
5	310227013	Generator Head Assembly (Incl. Key Nos. 1 and 3-15, RD6800/RD68011).....	1	4	Rondelle frein (5/16 po, RD6800G/RDCA6800).....	1		638623002	Arandela de fijación (5/16 pulg., RD6800G/RDCA6800).....	1			
	310227018	Generator Head Assembly (Incl. Key Nos. 1 and 3-15, RD6800G/RDCA6800).....	1	5	310227013	Ensemble moteur de la générateur (y compris clavettes no. 1 et 3-15, RD6800/RD68011).....	1	5	310227013	Ensemble moteur de la générateur (y compris clavettes no. 1 et 3-15, RD6800/RD68011).....	1		
6	290441001	Brush Assembly (RD6800/RD68011).....	1	310227018	Ensemble moteur de la générateur (y compris clavettes no. 1 et 3-15, RD6800G/RDCA6800).....	1	310227018	Conjunto de cabezal de su generador (incl. núm. de ref. 1 y 3-15, RD6800G/RDCA6800).....	1				
	290441005	Brush Assembly (RD6800G/RDCA6800).....	1		Ensemble de charbon (RD6800/RD68011)....	1							
7	660938012	Bolt (M5 x 16 mm, Hex Hd.).....	5	6	290441005	Ensemble de charbon (RD6800G/RDCA6800).....	1	6	290441001	Conjunto de la escobilla (RD6800/RD68011).....	1		
8	678296002	Brush Cover (RD6800/RD68011).....	1		660938012	Boulon (M5 x 16 mm, à tête hex).....	5	290441005	Conjunto de la escobilla (RD6800G/RDCA6800).....	1			
	678296004	Brush Cover (RD6800G/RDCA6800).....	1		8	678296002	Couvercle de balai (RD6800/RD68011).....	1	7	660938012	Perno (M5 x 16 mm, cabeza hex.).....	5	
9	660890002	Bolt (Stator).....	4		678296004	Couvercle de balai (RD6800G/RDCA6800)	1		8	678296002	Tapa de la escobilla (RD6800/RD68011).....	1	
10	660938011	Bolt (M5 x 10 mm).....	2		9	660890002	Boulon (stator).....	4		678296004	Tapa de la escobilla (RD6800G/RDCA6800).....	1	
11	290440008	Automatic Voltage Regulator (RD6800/RD68011).....	1		10	660938011	Boulon (M5 x 10 mm).....	2		9	660890002	Perno (estátor).....	4
	290440007	Automatic Voltage Regulator (RD6800G/RDCA6800).....	1		11	290440008	Régulateur de tension automatique (RD6800/RD68011).....	1		10	660938011	Perno (M5 x 10 mm).....	2
12	638624002	Generator Head Cover (RD6800/RD68011)...	1		12	638624002	Couverture de tête de générateur (RD6800/RD68011).....	1		11	290440008	Regulador automático de voltaje (RD6800/RD68011).....	1
	638624003	Generator Head Cover (RD6800G/RDCA6800).....	1										
13	678865002	Bearing Housing (RD6800/RD68011).....	1										
	678865003	Bearing Housing (RD6800G/RDCA6800).....	1										
14	290602002	Terminal Block (RD6800/RD68011).....	1										
	290602003	Terminal Block (RD6800G/RDCA6800).....	1										
15	570766004	Rubber Boot (RD6800G/RDCA6800).....	1										
16	678878001	Sleeve (RDCA6800).....	1										
17	638787001	Bushing (RDCA6800).....	2										