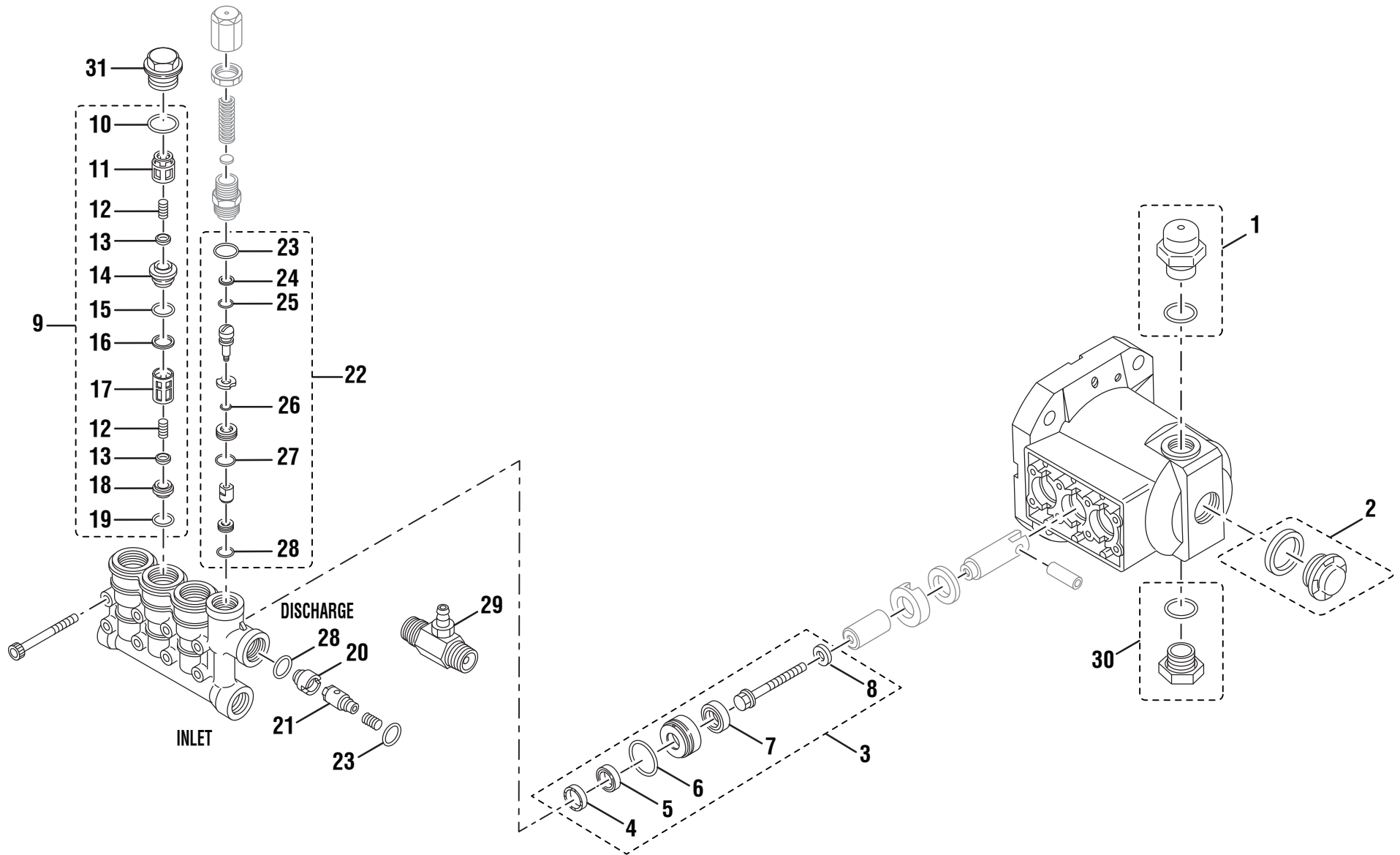




RD80763/RD80964 Gasoline Pressure Washer

KEY	P/N	DESCRIPTION	QTY	KEY	P/N	DESCRIPTION	QTY	KEY	P/N	DESCRIPTION	QTY
1	661554001	* Bolt (M8 x 46 mm, Hex Hd.).....	2	31	308938005	Right Frame Assembly (Inc. Key Nos. 3, 20, 24 and 57).....	1	59	638637002	Spring Clip.....	1
2	661554002	* Bolt (M8 x 70 mm, Hex Hd.).....	2					60	570727002	Storage Holder.....	1
3	661555001	* Screw (M4 x 12 mm, Button Hd.).....	3	32	308937002	Left Frame.....	1	61	308697007	Nozzle, 0° (Red).....	1
4	661555002	* Screw (1/4-20 x 2.1 in., Torx Hd.).....	1	33	518932001	Handle Tube Cap.....	2	62	308698007	Nozzle, 15° (Yellow).....	1
5	660869005	* Bolt (1/4-20 x 52 mm, Hex Hd.).....	4	34	940786002	Trigger Handle Max Pressure Label.....	1	63	308699007	Nozzle, 25° (Green).....	1
6	661503001	* Bolt (1/4-20 x 1 in.).....	2	35	940726009	Trigger Handle Label.....	1	64	308700007	Nozzle, 40° (White).....	1
7	661505003	* Bolt (M8 x 50 mm).....	4	36	638680001	Logo Plate.....	1	65	308835002	High Pressure Hose.....	1
8	661505005	* Bolt (M8 x 36 mm, Hex Hd.).....	4	37	638677001	Face Plate.....	1	66	561399003	Injection Hose.....	1
9	660973013	* Bolt (M8 x 67.15 mm, Hex Hd.).....	2	38	638385005	Engine Plate.....	1	67	518391001	Injection Hose Filter.....	1
10	940971011	Hang Tag (Engine).....	1	39	308936003	Hook Assembly (Inc. Key Nos. 9 and 18).....	1	68	678148002	Nozzle Cleaning Tool.....	1
11	661556001	* Screw (1/4-20 x 1.77 in., Torx Truss Hd.).....	4	40	678406004	Connector Pin (1/4 in.).....	2	69	310660002	Dual Power Soap Nozzle.....	1
12	661501001	* Screw (1/4-20 x 1.85 in., Torx Hd.).....	1	41	620505001	Axle.....	2	70	310664001	Bungee Cord and Bead Assembly.....	1
13	120900031	Wand Holder Kit.....	1	42	678146002	Hitch Pin.....	2	71	308940001	Handle Assembly (Inc. Key No. 33).....	1
14	940617012	Quick Start Label (Engine).....	1	43	308910001	Release Pin.....	1	72	308909002	Foot Assembly.....	2
15	940780001	Pump Quick Start Label.....	1	44	308494004	Spray Wand.....	1	73	940778005	Hot Muffler Label.....	1
16	661558001	* Bolt (3/8-16 x 1-3/8 in., Hex Hd.).....	4	45	940654059	Low Oil Warning Label.....	1	74	120950013	Trigger Handle Assembly.....	1
17	661557001	* Bolt (5/16-24 x 3/4 in., Hex Hd.).....	4	46	940778004	Hot Surface Label.....	1	75	308694002	Pump.....	1
18	678774001	* Lock Nut (M8 x 1-1/4 in., Hex Hd.).....	14	47	308710004	Wheel.....	2	76	570733002	Handle Bumper.....	2
19	678016006	* Lock Nut (1/4-20).....	11	48	940726010	Performance Label.....	1	77	678169002	Thermal Relief Valve.....	1
20	678610002	* Lock Nut (M4).....	3	49	308235001	** EX21 Engine (RD80763).....	1	78	518470001	TRV Spout.....	1
21	638128004	* Washer (1/4 in.).....	5		308235002	** EX21 Engine (RD80964).....	1	79	940654061	Trigger Guard Warning Label (English).....	1
22	940693003	Handle Release Label.....	1	50	986995001	Data Label.....	1	80	678024002	Wrench (T30 Torx).....	1
23	518724002	* Washer (D20 x D8 x 4.5t).....	2	51	940654058	Trigger Guard Warning Label (French/Spanish).....	1	81	660738001	Bolt (1/4-20 x 3/4 in. Hex Hd.).....	1
24	678600002	* Washer (M4).....	1	52	308692003	Garden Hose Coupler w/Filter.....	1	Not Shown:			
25	638128001	* Washer (5/8 in.).....	2	53	308988001	Quick Disconnect (Female 3/8 in.).....	1	82	N/A	* Oil (SAE 30 or SAE 10W30).....	1
26	638679001	* Lock Washer (3/8 in.).....	4	54	518954001	Trigger Handle Storage.....	1	83	987000256	Operator's Manual.....	1
27	638678001	* Lock Washer (5/16 in.).....	4	55	518955001	Wand Holder.....	1	84	987000257	Replacement Parts List.....	1
28	638386002	* Washer (3/8 in.).....	4	56	570554001	Wear Pad.....	2	85	987000263	Assembly Guide.....	1
29	638675002	* Washer (5/16 in.).....	4	57	570712001	Rubber Bumper.....	1				
30	940654053	Warning Labels.....	1	58	513122001	Auxiliary Handle Assembly.....	1				

* Standard Hardware Item – May Be Purchased Locally
 ** Parts available at your local Subaru Robin dealer





RD80763/RD80964 Pump/Pompe/Bomba

KEY	P/N	DESCRIPTION	QTY	PIÈCE RÉF.	DESCRIPTION	QTÉ	REF.	N/P	DESCRIPCIÓN	CANT.
1	310733003	Oil Fill Cap w/O-ring.....	1	310733003	Capuchon, orificio de remplissage d'huile, avec joint torique.....	1	1	310733003	Tapa, orificio de llenado para aceite con junta tórica	1
2	308688006	Gauge	1				2	308688006	Escala.....	1
3	120440001	Seal Kit (Inc. Key Nos. 4-8)	1	2	308688006	Jauge	3	120440001	Kit del sello (incl. pzas. núms. ref. 4 a 8)	1
4	308405004	Adapter (Male).....	3	3	120440001	Kit de joint (incl. pièces no. 4 à 8)	4	308405004	Adaptador (macho)	3
5	570436001	V-Packing.....	3	4	308405004	Adaptateur (mâle).....	5	570436001	Embalaje de labios múltiples	3
6	570742004	Seal Case O-Ring	3	5	570436001	Garniture chevron	6	570742004	Junta tórica, estuche para sellos	3
7	570763004	Seal	3	6	570742004	Joint torique carter de joint d'étanchéité	7	570763004	Sello	3
8	570435001	Washer (Seal)	3	7	570763004	Joint d'étanchéité	8	570435001	Arandela (sello).....	3
9	120441001	Valve Assembly (Inc. Key Nos. 10-19)	1	8	570435001	Rondelle (joint d'étanchéité)	9	120441001	Conjunto de válvula (incl. pzas. núms. ref. 10 a 19)	1
10	570742007	O-Ring (Plug).....	3	9	120441001	Ensemble de soupape (incl. pièces no. 10 à 19)	10	570742007	Junta tórica, clavija	3
11	521407001	Spring Retainer	3	10	570742007	Joint torique, bouchon.....	11	521407001	Retén de resorte	3
12	678519005	Spring.....	6	11	521407001	Retenue de ressort.....	12	678519005	Resorte.....	6
13	678169008	Valve.....	6	12	678519005	Ressort.....	13	678169008	Válvula.....	6
14	310402001	Discharge Seat.....	3	13	678169008	Soupape.....	14	310402001	Asiento de descarga	3
15	570742006	O-Ring (Discharge Seat)	3	14	310402001	Assise de refoulement.....	15	570742006	Junta tórica, asiento de descarga.....	3
16	521409001	O-Ring (Discharge Seat)	3	15	570742006	Joint torique, assise de refoulement..	16	521409001	Junta tórica, asiento de descarga.....	3
17	521406001	Spring Retainer (Inlet).....	3	16	521409001	Joint torique, assise de refoulement..	17	521406001	Retén de resorte (entrada)	3
18	521408001	Inlet Seat	3	17	521406001	Retenue de ressort (admission)	18	521408001	Asiento, entrada.....	3
19	570742005	O-Ring (Inlet Seat).....	3	18	521408001	Assise, admission	19	570742005	Junta tórica, asiento de entrada	3
20	678842001	Check Valve Seat	1	19	570742005	Joint torique, assise d'admission	20	678842001	Asiento, válvula de retención	1
21	308826003	Valve.....	1	20	678842001	Assise, clapet antiretour	21	308826003	Válvula, control con junta tórica.....	1
22	120442001	O-Ring Kit (Inc. Key Nos. 23-28).....	1	21	308826003	Valve, clapet antiretour avec joint torique	22	120442001	Juego, junta tórica (incl. pzas. núms. ref. 23 a 28)	1
23	570742010	O-Ring (Piston Retainer)	2	22	120442001	Ensemble, joint torique (incl. pièces no. 23 à 28)	23	570742010	Retén de pistón (junta tórica).....	2
24	310403001	Back-up-Ring (Piston Stem)	1	23	570742010	Retenue de piston (joint torique).....	24	310403001	Anillo de respaldo vástago del pistón.....	1
25	570742008	O-Ring (Piston Stem)	1	24	310403001	Bague d'appui, tige de piston.....	25	570742008	Junta tórica, vástago del pistón.....	1
26	570742011	O-Ring (Inner Valve Retainer).....	1	25	570742008	Joint torique, tige de piston	26	570742011	Junta tórica, retén de válvula (interior)	1
27	570742009	O-Ring (Outer).....	1	26	570742011	Joint torique, coupelle d'appui de soupape (interne)	27	570742009	Junta tórica, retén de válvula (exterior)	1
28	570742012	Seat O-Ring	2	27	570742009	Joint torique, coupelle d'appui de soupape (extérieure)	28	570742012	Asiente el anillo o	2
29	310735002	Fixed Injector (M18 x 1 mm)	1	28	570742012	Posez le joint circulaire	29	310735002	Fuego de inyector fijo (M18 x 1 mm) ..	1
30	310923001	Drain Plug	1	29	310735002	Fixe d'injecteur (M18 x 1 mm).....	30	310923001	Tapón de drenaje	1
31	679405002	Plug.....	3	30	310923001	Bouchon de vidange.....	31	679405002	Tapón	3
		NOT SHOWN		31	679405002	Bouchon.....				
	900906018	Bottle Oil	1							
					PAS ILLUSTRÉ				NO SE MUESTRA	
					900906018	Bouteille d'huile.....			900906018	Aceite en botella