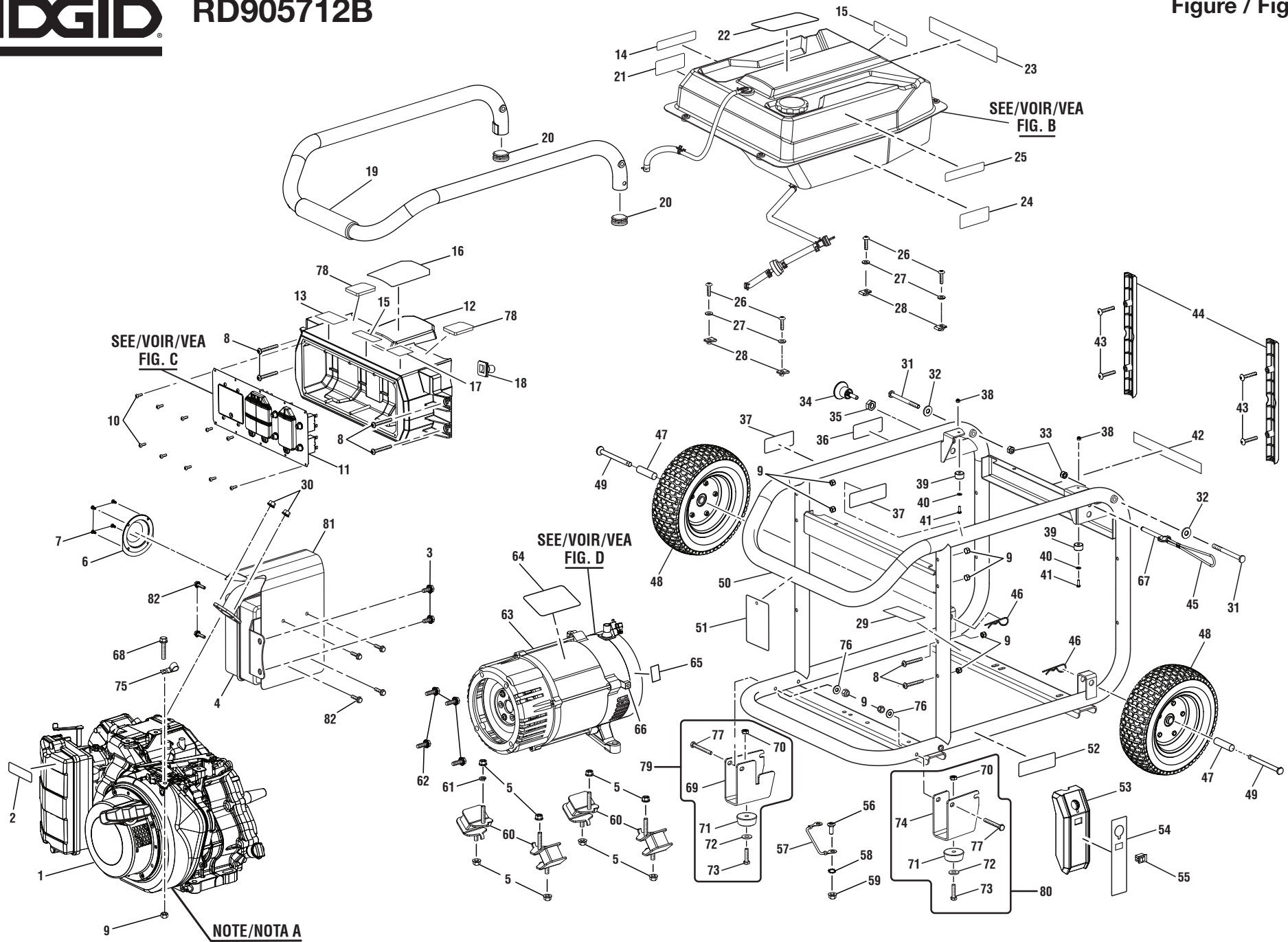


RIDGID
5,700 Watt Generator
RD905712B Series
Replacement Parts List

RIDGID
Générateur de 5 700 watts
RD905712B Série
Liste des pièces de rechange

RIDGID
Generator 5 700 Watts
RD905712B Serie
Lista de pieza de repuesto





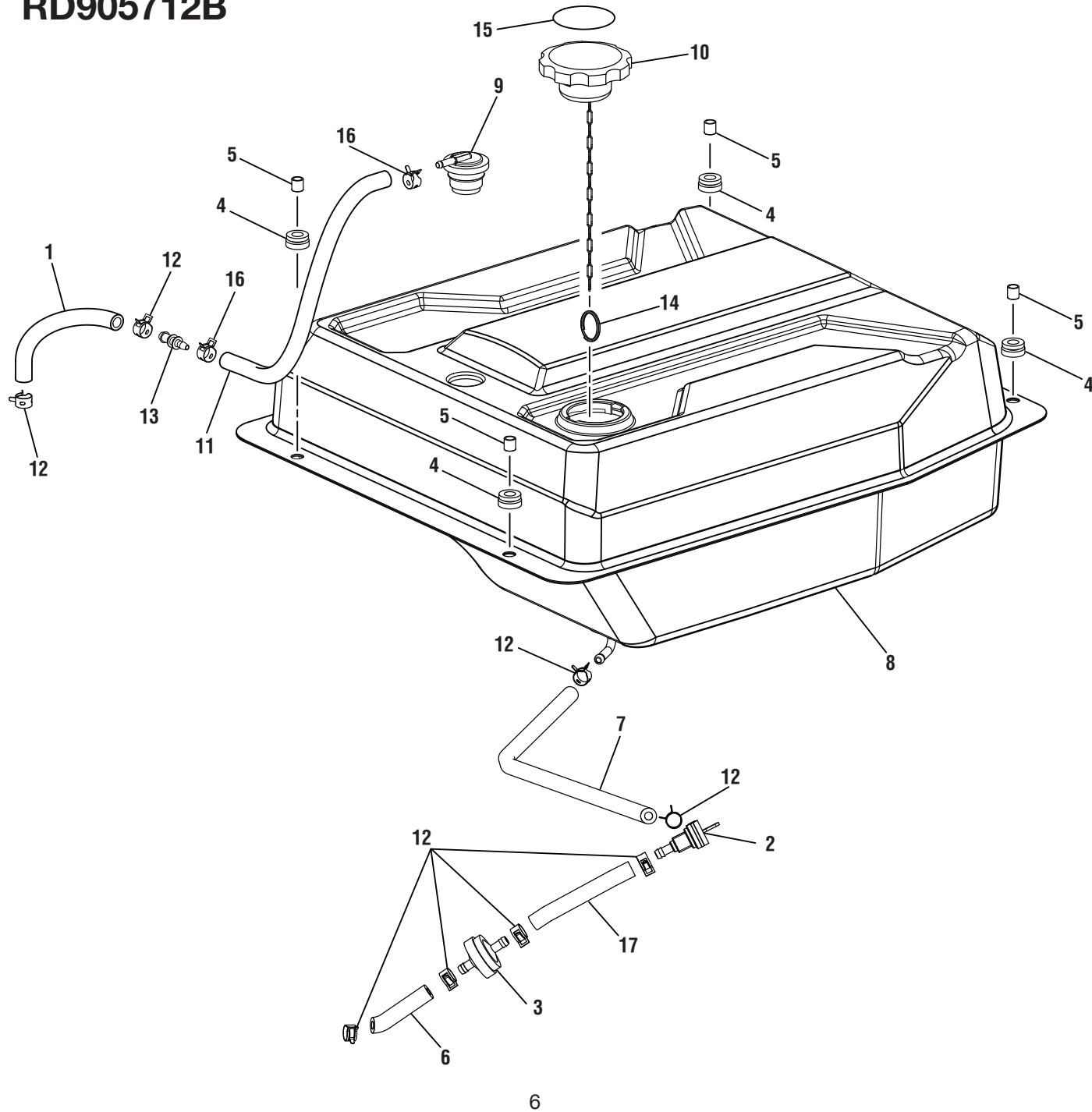
RD905712B

Figure / Figura A

KEY	P/N	DESCRIPTION	QTY	KEY	P/N	DESCRIPTION	QTY	KEY	P/N	DESCRIPTION	QTY
1	NOTE A	Engine (Yamaha MZ300 2013).....	1	30	661514001	Hex Nut (M8 x 1.25 in.)	2	59	678339003	Flange Nut (5/16-18, Guide Bar).....	1
2	940647041	Choke Label.....	1	31	678522027	Handle Pivot Bolt	2	60	570356006	Vibration Isolator.....	4
3	660599002	Bolt (5/16-24 x 5/8 in., Hex Hd.).....	2	32	638128002	Washer (5/16 in.)	2	61	638678002	Lock Washer (5/16 in.)	1
4	309322027	Muffler Assembly	1	33	678259003	Lock Nut (5/16-18).....	2	62	660596002	Bolt (3/8-16 x 1-1/4 in., Hex Hd.).....	4
5	678339001	Hex Flange Nut (M8 x 1.25 mm).....	8	34	308910005	Handle Lock Assembly	1	63	310227051	Generator Head Assembly.....	1
6	638147003	Spark Arrester Screen.....	1	35	678518002	Hex Jam Nut (1/2-20).....	1	64	940678343	Data Label.....	1
7	661306001	Screw (8-32 x 3/8 in., Pan Hd.).....	4	36	940758005	Pin Release Label	1	65	940513002	Ground Label	1
8	660901006	Screw (1/4-20 x 58.4 mm, T30 Torx Hd.).....	6	37	940595002	Zero Gravity Label.....	2	66	638703001	Ground Lug.....	1
9	678016006	Lock Nut (1/4-20)	9	38	678610002	Lock Nut (M4).....	2	67	310712001	Pin Release (5/16 x 2 in.)	1
10	660899002	Screw (8-18 x 1/2 in., T20 Torx Hd.)	10	39	570712001	Bumper	2	68	661503004	Bolt (1/4-20 x 1-1/4 in., Hex Hd.).....	1
11	290403037	Control Panel Assembly.....	1	40	678600002	Washer (M4)	2	69	638706010	Right Foot	1
12	519815004	Receptacle Box (Control Panel).....	1	41	661555001	Bolt (M4 x 12.5 mm, Hex Socket Pan Hd.).....	2	70	678460001	Lock Nut (M6).....	2
13	940686045	Yamaha Label	1	42	940513027	Ground Warning Label	1	71	570554001	Wear Pad.....	2
14	940974089	Fire Distance Label	1	43	660900002	Screw (1/4-15 x 1-1/2 in., T27 Torx Pan Hd.) ...	4	72	638128004	Washer (1/4 in.)	2
15	940705169	Logo Label	2	44	519812006	Slide Rail	2	73	660154001	Bolt (M6 x 20 mm, Hex Hd.).....	2
16	940596016	Performance Label.....	1	45	308640002	Cord Retainer.....	1	74	638706009	Left Foot.....	1
17	940872003	E85 Label	1	46	638498004	Axle Spacer.....	2	75	519729001	J-Clamp (1/2 in.)	1
18	570766003	Rubber Boot (Wiring)	1	47	678146002	Hitch Pin.....	2	76	638387002	Washer (1/4).....	2
19	310735005	Handle Assembly	1	48	308451036	Wheel (10 in x 3 in.).....	2	77	660901005	Bolt (1/4-20 x 2 in., Hex Hd.)	2
20	519712003	End Cap (31 mm, Handle Tube).....	2	49	681866001	Axle	2	78	570630003	Rubber Isolator	2
21	940680027	Hot Surface Label	1	50	308581034	Frame Assembly	1	79	310739009	Right Foot Assembly (Inc. Key Nos. 9, 69-73 and 77)	1
22	940515017	CPSC Label	1	51	961030005	Danger Hangtag.....	1	80	310739008	Left Foot Assembly (Inc. Key Nos. 9, 70-74 and 77)	1
23	940707103	Danger Label.....	1	52	940708019	Lubricant Label	1	81	638497031	Heat Shield.....	1
24	941486005	Inquiries Label.....	1	53	519707008	Control Panel (Fuel Shut Off)	1	82	660975009	Bolt (M6 x 9 mm).....	6
25	940974007	Fire Danger Label.....	1	54	940617104	Quick Start Label	1	Not Shown:			
26	660901003	Screw (1/4-20 x 1 in., T30 Torx Hd.)	4	55	760700002	Switch (Momentary Contact)	1	990000662	Operator's Manual		
27	678186002	Washer (16 mm x 7 mm x 1.65t).....	4	56	661502005	Bolt (5/16-18 x 3/4 in.)	1	990000663	Quick Reference Guide		
28	678824002	J-Clip (1/4-20).....	4	57	290404001	Ground Wire Assembly	1				
29	940947003	Spark Arrestor Label.....	1	58	638704001	Star Washer (5/16 in., External)	1				

NOTE A: OWT Industries, Inc., will not provide engines as replacement parts. Engines are covered through the engine manufacturer's warranty. Consult the accompanying engine manual or contact our service department for assistance.

WARNING: To avoid possible personal injury or equipment damage, a registered electrician or an authorized service representative should perform installation and all service. Under no circumstances should an unqualified person attempt to wire into a utility circuit.

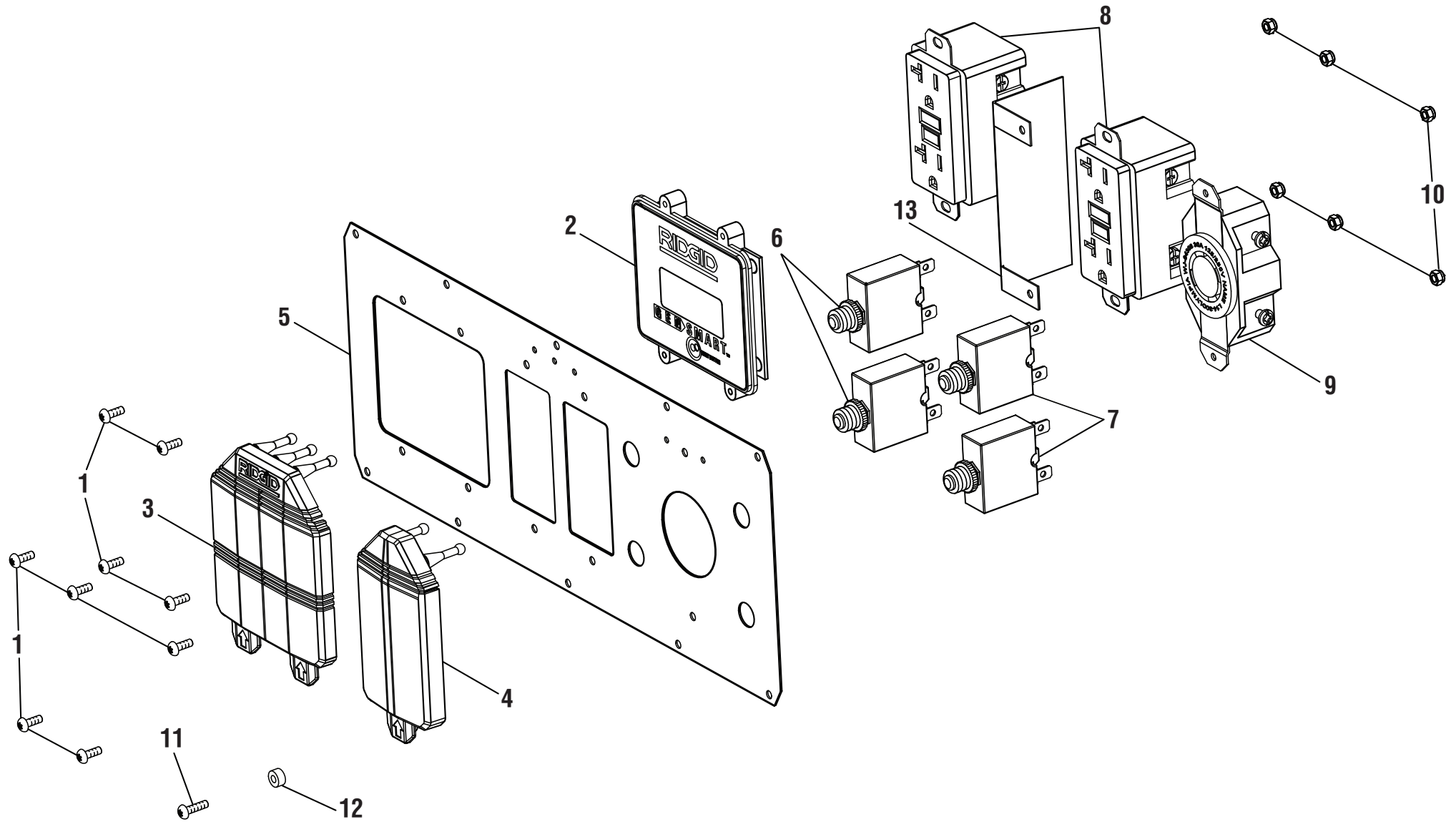




RD905712B

Figure / Figura B

KEY	P/N	DESCRIPTION	QTY	PIÈCE RÉF.	DESCRIPTION	QTÉ	REF. N/P	DESCRIPCIÓN	CANT.
1	570358082	Vapor Hose (105 mm)	1	1 570358082	Tuyaux de vapeur (105 mm).....	1	1 570358082	Manguera de vapor (105 mm).....	1
2	308459002	Fuel Shut Off Valve.....	1	2 308459002	Robinet de carburant	1	2 308459002	Válvula combustible.....	1
3	308733008	Inline Fuel Filter (1/4 in.)	1	3 308733008	Filtre de la canalisation de carburant (1/4 po)...	1	3 308733008	Filtro de la línea de combustible (1/4 pulg.).....	1
4	519832003	Fuel Tank Isolator (Bushing).....	4	4 519832003	Isolator de réservoir de carburant (douille)	4	4 519832003	Aislante del tanque de combustible (buje).....	4
5	518528002	Fuel Tank Isolator Insert (Spacer).....	4	5 518528002	Isolator de réservoir de carburant (entretoise)...	4	5 518528002	Aislante del tanque de combustible (separador)	4
6	570358130	Fuel Hose (110 mm).....	1	6 570358130	Tuyau flexible de carburant (110 mm).....	1	6 570358130	Manguera de combustible (110 mm)	1
7	570358077	Fuel Hose (380 mm).....	1	7 570358077	Tuyau flexible de carburant (380 mm).....	1	7 570358077	Manguera de combustible (380 mm)	1
8	310711100	Fuel Tank (6 gallon)	1	8 310711100	Réservoir de carburant (6 gallon).....	1	8 310711100	Tanque de combustible (6 galón).....	1
9	310854002	Fuel Tank Vapor Vent	1	9 310854002	Vent de vapeur du réservoir de carburant	1	9 310854002	Respirador del vapor del tanque de combustible	1
10	310720026	Fuel Cap w/Chain	1	10 310720026	Bouchon de carburant avec chaîne.....	1	10 310720026	Tapa del tanque de combustible con cadena...	1
11	570358081	Vapor Hose (295 mm)	1	11 570358081	Tuyaux de vapeur (295 mm).....	1	11 570358081	Manguera de vapor (295 mm).....	1
12	678408006	Fuel Line Clamp (1/2 in.)	8	12 678408006	Bride de conduite de carburant (1/2 po).....	8	12 678408006	Abrazadera de conducto de combustible (1/2 pulg.)	8
13	308762004	Reducer (8 mm to 5 mm)	1	13 308762004	Réducteur (8 mm à 5 mm)	1	13 308762004	Reductor (8 mm a 5 mm)	1
14	678899007	Ring Clip	1	14 678899007	Agrafe à anneau.....	1	14 678899007	Sujetador de anillo	1
15	940872006	Fuel Stabilizer Label.....	1	15 940872006	Étiquette de stabilisateur de carburant.....	1	15 940872006	Etiqueta de estabilizador de combustible.....	1
16	678409002	Fuel Line Clamp (5/16 in.)	2	16 678409002	Bride de conduite de carburant (5/16 po).....	2	16 678409002	Abrazadera de conducto de combustible (5/16 pulg.)	2
17	570358129	Fuel Hose (283 mm).....	1	17 570358129	Fuel Hose (283 mm).....	1	17 570358129	Fuel Hose (283 mm).....	1

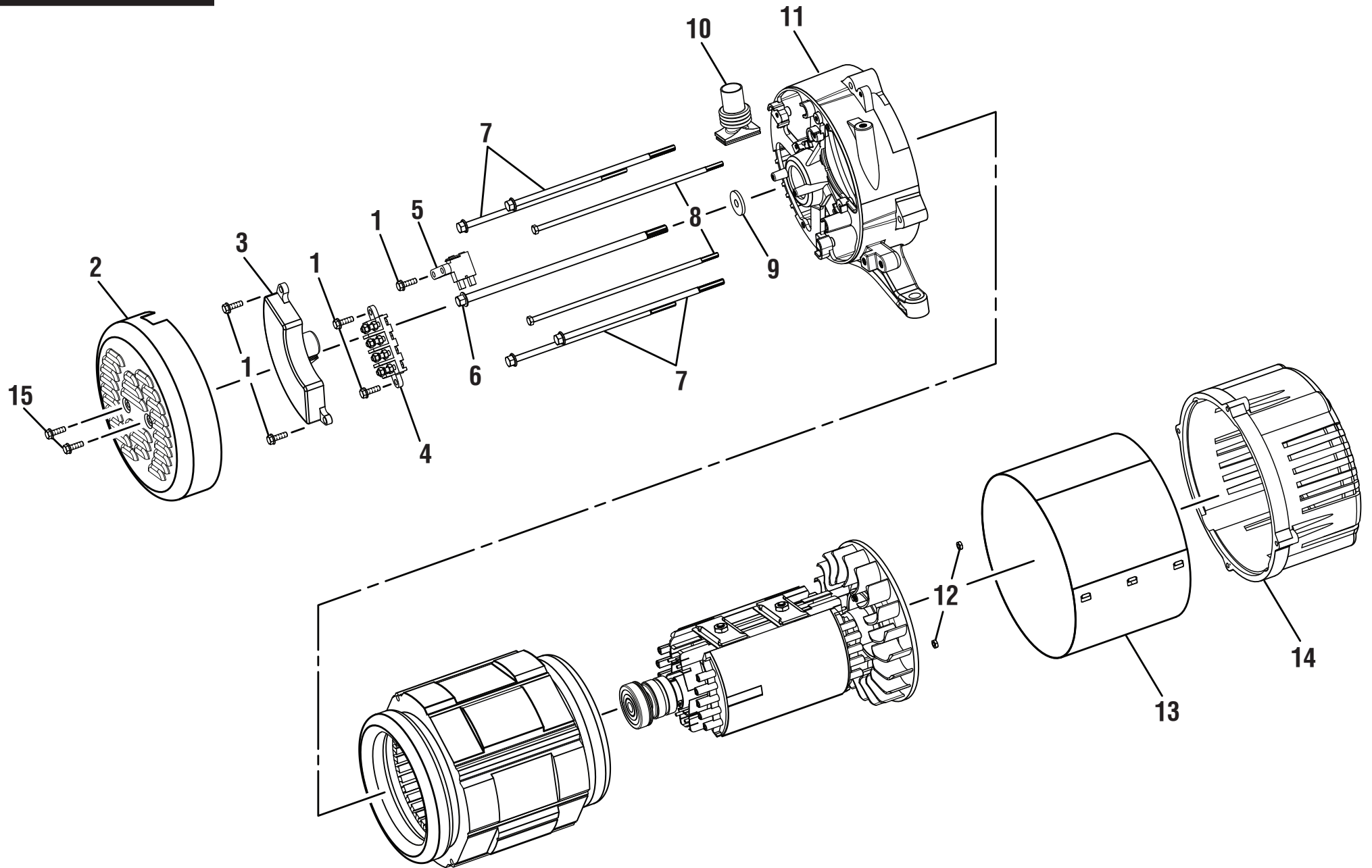




RD905712B

Figure / Figura C

KEY	P/N	DESCRIPTION	QTY	PIÈCE RÉF.	DESCRIPTION	QTÉ	REF. N/P	DESCRIPCIÓN	CANT.
1	660901004	Screw (6-20 x 3/8 in., Torx Hd.)	9	1 660901004	Vis (6-20 x 3/8 po, empreinte à six pans).....	11	1 660901004	Tornillo (6-20 x 3/8 pulg., cabeza de Torx).....	9
2	290432006	Gensmart Display.....	1	2 290432006	Système de surveillance GenSmart.....	1	2 290432006	Sistema de monitoreo GenSmart	1
3	570409001	GFCI Receptacle Cover	1	3 570409001	Couvercle de prise GFCI.....	1	3 570409001	Cubierta de salida GFCI.....	1
4	570409002	Receptacle Cover (30 Amp).....	1	4 570409002	Dispositif de protection de la prise (30A).....	1	4 570409002	Tapa del receptáculo (30A)	1
5	638496026	Control Panel Faceplate.....	1	5 638496026	Plaque avant pour le panneau de commande...1		5 638496026	Placa de encare para el panel de control	1
6	780350001	Circuit Breaker (20 Amp, 125 Volt).....	2	6 780350001	Disjoncteur de circuit (20 A, 125 V).....	2	6 780350001	Disyuntor de circuitos (20A, 125 V).....	2
7	780351003	Circuit Breaker (25 Amp, 125 Volt).....	2	7 780351003	Disjoncteur de circuit (25 A, 125 V).....	2	7 780351003	Disyuntor de circuitos (25A, 125 V).....	2
8	290400010	120 Volt Duplex GFCI Receptacle	2	8 290400010	Prise double de disjoncteur de fuite à la terre de 120V.....	2	8 290400010	Receptáculo doble de 120V con GFCI	2
9	290401001	120/240 Volt Twist Lock Receptacle (30 Amp) .1		9 290401001	Prise à verrouillage de 120/240V (30 A).....	1	9 290401001	Receptáculo de fijación por giro de 120V/240V (30A)	1
10	678720001	Hex Nut (6-32).....	6	10 678720001	Écrou hexagonal (6-32).....	6	10 678720001	Tuerca hexagonal (6-32).....	6
11	660961002	Screw (6-10 x 1/2 in., T15 Torx Hd.)	1	11 660961002	Vis (6-10 x 1/2 po, T15 tête Torx).....	1	11 660961002	Tornillo (6-10 x 1/2 pulg., T15 cabeza de Torx)...1	
12	638128005	Spacer (4 mm).....	1	12 638128005	Entretoise (4 mm)	1	12 638128005	Separador (4 mm)	1
13	902114002	GFCI Insulator	1	13 902114002	Isolateur GFCI	1	13 902114002	Aislante de GFCI	1





RD905712B

Figure / Figura D

KEY	P/N	DESCRIPTION	QTY	PIÈCE RÉF.	DESCRIPTION	QTÉ	REF. N/P	DESCRIPCIÓN	CANT.
1	660938012	Bolt (M5 x 16 mm, Hex Hd.).....	5	1 660938012	Boulon (M5 x 16 mm, à tête hex)	5	1 660938012	Perno (M5 x 16 mm, cabeza hex.)	5
2	678296004	Brush Cover	1	2 678296004	Couvercle de balai.....	1	2 678296004	Tapa de la escobilla.....	1
3	290440008	Automatic Voltage Regulator.....	1	3 290440008	Régulateur de tension automatique	1	3 290440008	Regulador automático de voltaje	1
4	290602003	Terminal Block.....	1	4 290602003	Plaque à bornes	1	4 290602003	Bloque de terminales	1
5	290441005	Brush Assembly	1	5 290441005	Ensemble de charbon	1	5 290441005	Conjunto de la escobilla.....	1
6	661603013	Bolt (5/16-24 x 235 mm, Hex Washer Hd.)	1	6 661603013	Boulon (5/16-24 x 235 mm, à tête hex).....	1	6 661603013	Perno (5/16-24 x 235 mm, cabeza hex.).....	1
7	661603014	Bolt (M6 x 188 mm, Hex Washer Hd.).....	4	7 661603014	Boulon (M6 x 188 mm, à tête hex)	4	7 661603014	Perno (M6 x 188 mm, cabeza hex.)	4
8	660938022	Bolt (M5 x 210 mm, Hex Washer Hd.).....	2	8 660938022	Boulon (M5 x 210 mm, à tête hex)	2	8 660938022	Perno (M5 x 210 mm, cabeza hex.)	2
9	638623002	Washer (8 x 26 x 3t).....	1	9 638623002	Rondelle (8 x 26 x 3t).....	1	9 638623002	Arandela (8 x 26 x 3t)	1
10	570766004	Rubber Boot.....	1	10 570766004	Gaine caoutchoutée	1	10 570766004	Botas de goma.....	1
11	678865003	Bearing Housing.....	1	11 678865003	Logement de roulement	1	11 678865003	Cubierta de conjinete	1
12	690840002	Hex Nut (M5)	2	12 690840002	Écrou hexagonal (M5).....	2	12 690840002	Tuerca hexagonal (M5)	2
13	638624008	Generator Head Cover	1	13 638624008	Couverture de tête de générateur	1	13 638624008	Cubierta de la cabeza del generador	1
14	640331005	Adaptor Housing	1	14 640331005	Logement de l'adaptateur	1	14 640331005	Caracasa del adaptador.....	1
15	660938011	Bolt (M5 x 12 mm, Hex Hd.).....	2	15 660938011	Boulon (M5 x 12 mm, à tête hex)	2	15 660938011	Perno (M5 x 12 mm, cabeza hex.)	2