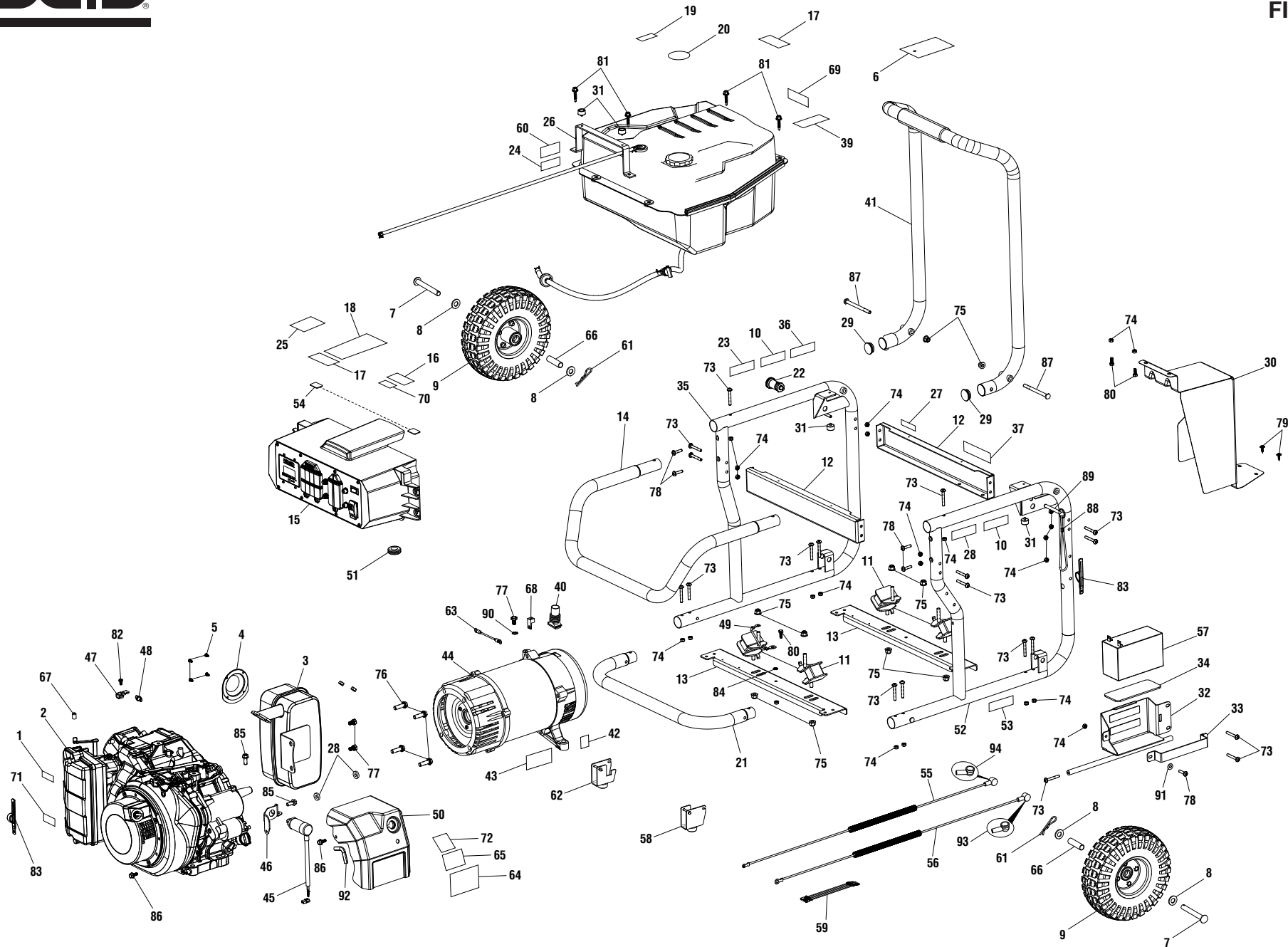


**RIDGID**  
**6800 Watt Generator**  
**Item No. RD906814P**  
**Replacement Parts List**

**RIDGID**  
**Générateur de 6,800 watts**  
**RD906814P**  
**Liste des pièces de rechange**

**RIDGID**  
**Generador 6,800 Watts**  
**RD906814P**  
**Lista de pieza de repuesto**





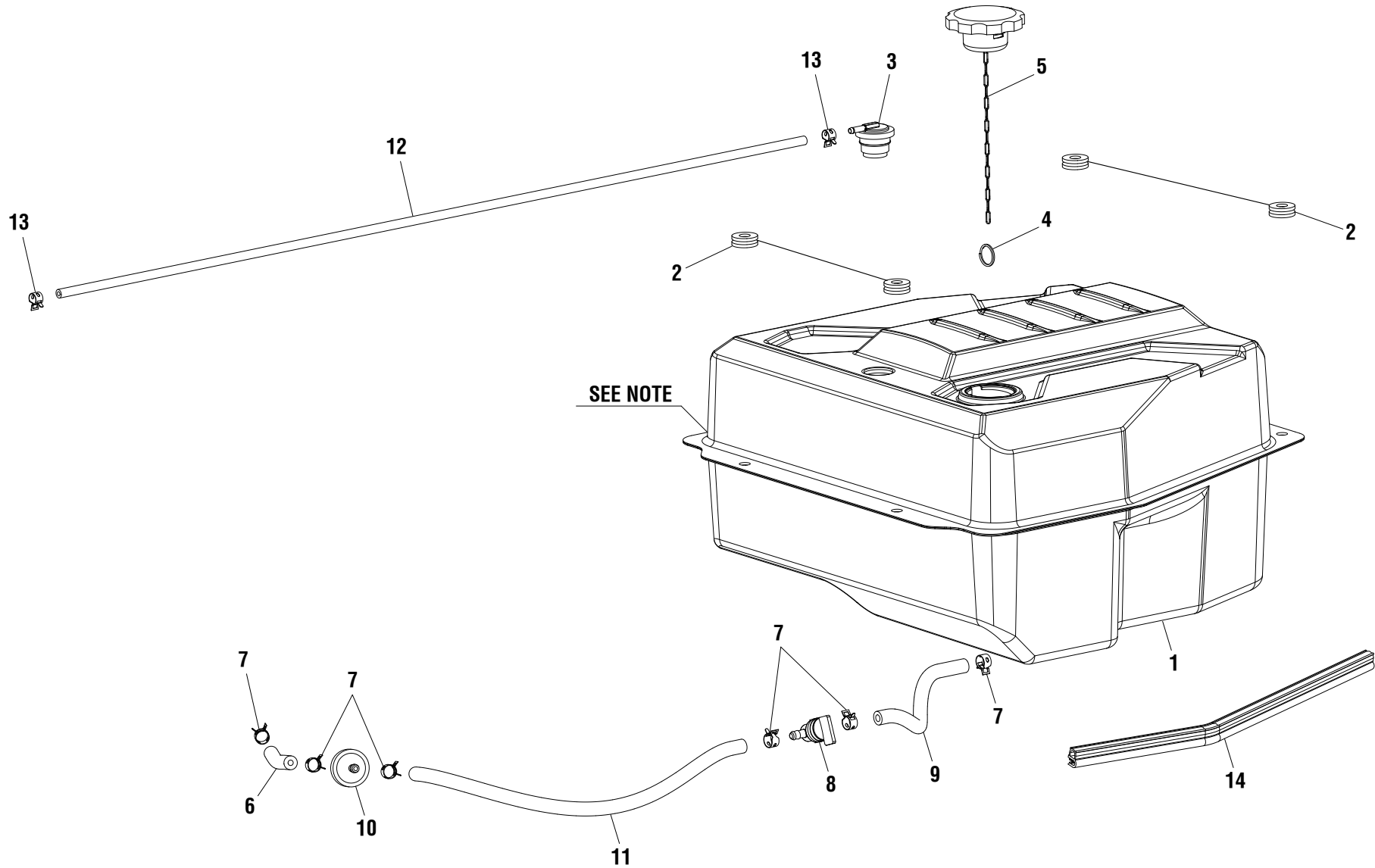
RD906814P

FIGURE A PARTS LIST

KEY PART NO.	NUMBER	DESCRIPTION	QTY	KEY PART NO.	NUMBER	DESCRIPTION	QTY	KEY PART NO.	NUMBER	DESCRIPTION	QTY
1	940647041	Choke Label	1	33	308681010	Battery Bracket	1	65	940647098	Fuel Valve Label	1
2	Note A	Engine (Yamaha MZ360, 2014)	1	34	570630004	Gasket	1	66	638498004	Spacer	2
3	309322002	Muffler	1	35	308581158	Right Frame Assembly	1	67	570712005	Cap	1
4	638147003	Spark Arrester	1	36	940758005	Pin Release Label	1	68	638703003	Ground Lug	1
5	661306001	Screw (8-32 x 3/8 in.)	4	37	940513027	Ground Warning Label	1	69	940654254	Warning Label	1
6	940971087	Warning Hangtag	1	38	518724004	Washer	2	70	940617105	Electric Start Label	1
7	681866001	Axle Bolt (1/2 in. x 4 in., Pan Hd.)	2	39	940872024	Fuel Stabilizer Label (Fr/Sp)	1	71	940639011	Idle Down Label (Large)	1
8	638275002	Washer (1/2 in.)	4	40	570766002	Rubber Boot	1	72	940639008	Idle Down Label (Small)	1
9	308451010	Wheel	2	41	310224066	Handle Assembly	1	73	661834004	Bolt (M6 x 42 mm, Torx Pan Hd.)	21
10	940595002	Zero Gravity Label	2	42	940513002	Ground Label	1	74	678460009	Nut (M6)	24
11	570356006	Vibration Isolator	4	43	940678234	Data Label	1	75	678774012	Nut (M8)	10
12	638959012	Crossbar (Fuel Tank)	2	44	310227059	Generator Head Assembly (See Figure D)	1	76	660596002	Bolt (3/8-16 x 1.25 in.)	4
13	638735036	Crossbar (Engine)	2	45	291422001	Solenoid (Idle Control)	1	77	660973016	Bolt (M8 x 1.25 in., Hex Hd.)	3
14	638221007	Front Frame (Top)	1	46	638970001	Bracket	1	78	661834005	Bolt (M6 x 25 mm, Torx Pan Hd.)	5
15	290403053	Control Panel Assembly (See Figure C)	1	47	678815014	Throttle Arm Bracket	1	79	661306004	Screw (#8 x 0.75 in.)	2
16	940686045	Yamaha Logo Label (Powered By)	1	48	672947003	Spring	1	80	661505021	Bolt (M6 x 16 mm, Hex Hd.)	3
17	940705168	Logo Label	2	49	290404009	Ground Wire Assembly	1	81	660901036	Screw (1/4-14 x 1.25 in.)	4
18	940779109	Performance Label	1	50	519813023	Starter Cover	1	82	661402005	Bolt (M5 x 10 mm)	1
19	940872003	E85 Label	1	51	561383003	Grommet (16 mm)	1	83	519729002	J-Clamp	2
20	940872022	Fuel Stabilizer Label	1	52	308581157	Left Frame Assembly	1	84	673157002	Washer (M6)	1
21	524470007	Front Frame (Bottom)	1	53	940708019	Lubricant Label	1	85	660391002	Bolt (M8 x 20 mm, Hex Hd.)	2
22	308910001	Release Pin	1	54	570630003	Rubber Isolator	2	86	661505020	Bolt (M6 x 16 mm)	2
23	940974089	Fire Distance Label	1	55	290418003	Battery Cable (Red)	1	87	661851004	Bolt (M8 x 1.25 in.)	2
24	940680027	Hot Surface Label	1	56	290419005	Battery Cable (Black)	1	88	308640002	Bungee Cord	1
25	940515017	CPSC Label	1	57	750400010	Battery (12 Volt)	1	89	310712001	Release Pin	1
26	638702006	Bracket (Control Panel Box)	1	58	310739012	Left Foot	1	90	673157001	Washer (M8)	1
27	941486005	Inquires Label	1	59	290435018	Wire Kit	1	91	638387005	Washer (1/4 in.)	1
28	940974007	Fire Danger Label	1	60	940947003	Combustion Label	1	92	570818003	Rubber Trim	1
29	519712003	End Cap (31 mm)	2	61	678146002	Hitch Pin	2	93	570766014	Rubber Battery Cable Boot (Black)	1
30	638497037	Heat Shield	1	62	310739011	Right Foot	1	94	570766013	Rubber Battery Cable Boot (Red)	1
31	570712002	Handle Bumper	4	63	290455004	Bonding Wire	1				
32	308509004	Battery Box Assembly	1	64	940617103	Quick Start Label	1				
									<b>Not Shown:</b>		
									990000821	Operator's Manual	
									990000823	Quick Reference Guide	

NOTE A: OWT Industries, Inc., will not provide engines as replacement parts. Engines are covered through the engine manufacturer's warranty. Consult the accompanying engine manual or contact our service department for assistance.

**WARNING:** To avoid possible personal injury or equipment damage, a registered electrician or an authorized service representative should perform installation and all service. Under no circumstances should an unqualified person attempt to wire into a utility circuit.



**\*\*NOTE:** If FUEL TANK is replaced, the RUBBER STRIPPING must also be replaced.

**\*\*NOTE:** Si du RÉSERVOIR DE CARBURANT est remplacé, le DÉCAPAGE DE CAOUTCHOUC doit également être remplacé.

**\*\*NOTA:** Si el TANQUE DE COMBUSTIBLE se sustituye, el DESMONTAJE DE GOMA también debe ser reemplazado.



RD906814P

FIGURE B PARTS LIST

FIGURE B LISTE DES PIÈCES

FIGURA B LISTA DE PIEZAS

KEY PART NO.	NUMBER	DESCRIPTION	QTY
1	310711154	Fuel Tank.....	1
2	310225001	Bushing (Fuel Tank).....	4
3	310854002	Vapor Vent.....	1
4	678899007	Ring Clip.....	1
5	310720026	Fuel Cap (Small).....	1
6	570358133	Fuel Hose (95 mm).....	1
7	678408006	Fuel Line Clamp (1/2 in.).....	6
8	308459005	Fuel Shut Off Valve.....	1
9	570358131	Fuel Hose (220 mm).....	1
10	308733008	Fuel Filter (1/4 in.).....	1
11	570358128	Fuel Hose (390 mm).....	1
12	570358132	Vapor Hose.....	1
13	678408005	Vapor Line Hose Clamp.....	2
14	570818002	Rubber Stripping.....	1

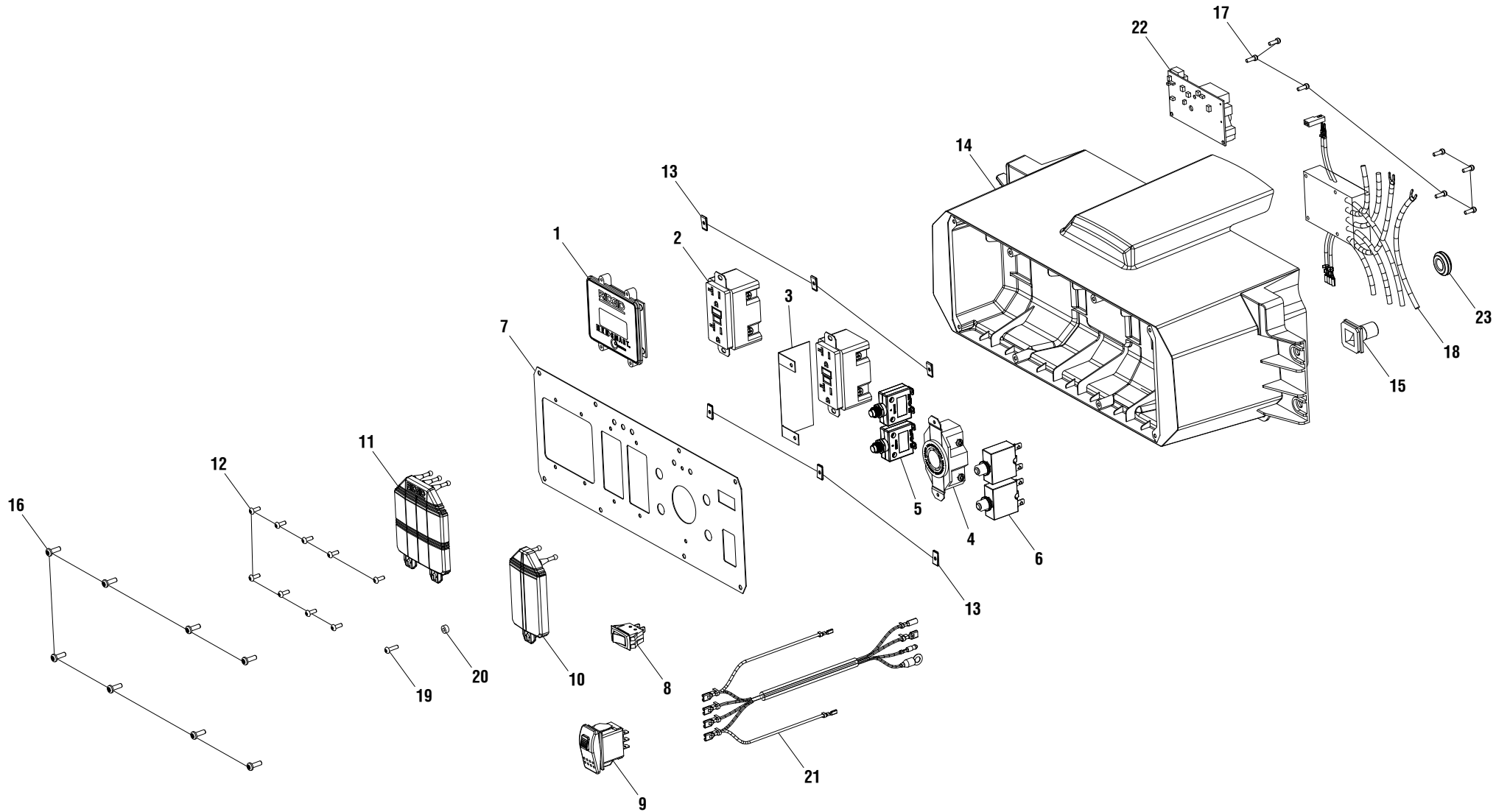
CLÉ NO.	RÉF. DE PIÈCE	DESCRIPTION	QTÉ
1	310711154	Réservoir de carburant.....	1
2	310225001	Douille (réservoir de carburant).....	4
3	310854002	Vent de vapeur.....	1
4	678899007	Agrafe à bague.....	1
5	310720026	Bouchon de carburant (petite).....	1
6	570358133	Tuyau flexible de carburant (95 mm).....	1
7	678408006	Bride de conduite de carburant (1/2 po)...	6
8	308459005	Robinet de carburant.....	1
9	570358131	Tuyau flexible de carburant (220 mm).....	1
10	308733008	Filtre à carburant (1/4 po).....	1
11	570358128	Tuyau flexible de carburant (390 mm).....	1
12	570358132	Conduite de vapeur.....	1
13	678408005	Bride de conduite de vapeur.....	2
14	570818002	Caoutchouc décapage.....	1

NÚM REF.	NÚM PIEZA	DESCRIPCIÓN	CANT.
1	310711154	Tanque de combustible.....	1
2	310225001	Buje (tanque de combustible).....	4
3	310854002	Respirador del vapor.....	1
4	678899007	Sujetador de anillo.....	1
5	310720026	Tapa del tanque de combustible (pequeña).....	1
6	570358133	Manguera de combustible (95 mm).....	1
7	678408006	Abrazadera de conducto de combustible (1/2 pulg.).....	6
8	308459005	Válvula combustible.....	1
9	570358131	Manguera de combustible (220 mm).....	1
10	308733008	Filtro de combustible (1/4 pulg.).....	1
11	570358128	Manguera de combustible (390 mm).....	1
12	570358132	Manguera de vapor.....	1
13	678408005	Abrazadera de la manguera del conducto de vapor.....	2
14	570818002	Desmontaje de goma.....	1

\*\*NOTE: If FUEL TANK is replaced, the RUBBER STRIPPING must also be replaced.

\*\*NOTE: Si du RÉSERVOIR DE CARBURANT est remplacé, le DÉCAPAGE DE CAOUTCHOUC doit également être remplacé.

\*\*NOTA: Si el TANQUE DE COMBUSTIBLE se sustituye, el DESMONTAJE DE GOMA también debe ser reemplazado.





RD906814P

FIGURE C PARTS LIST

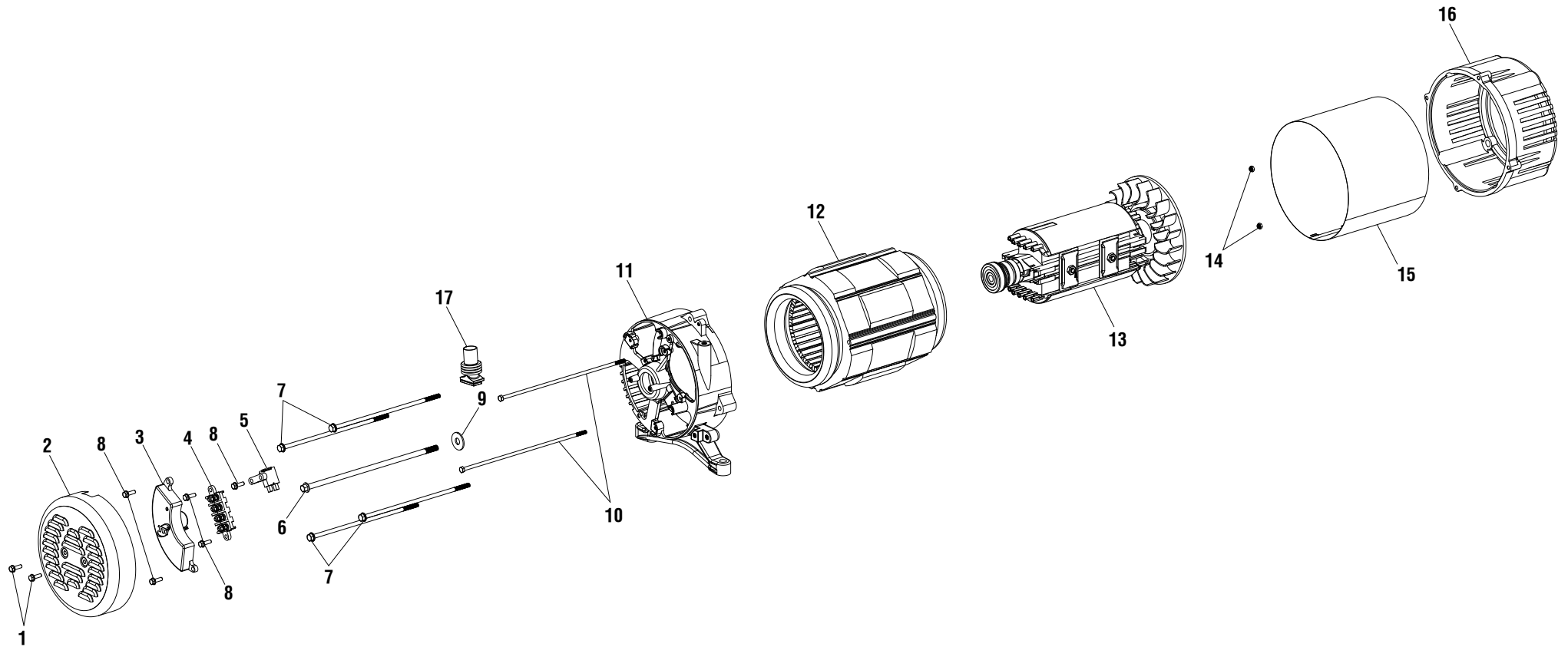
KEY PART NO.	NUMBER	DESCRIPTION	QTY
1	290432010	Gensmart Display.....	1
2	290400010	120 Volt Duplex GFCI Receptacle.....	2
3	902114002	Insulator .....	1
4	290401001	120 Volt Twist Lock Receptacle (30 Amp).....	1
5	780350009	Circuit Breaker (20 Amp).....	2
6	780351012	Circuit Breaker (30 Amp).....	2
7	638930006	Control Panel Faceplate.....	1
8	760504014	Rocker Switch.....	1
9	270290007	Engine Switch .....	1
10	570409002	Receptacle Cover (30 Amp) .....	1
11	570409001	GFCI Receptacle Cover .....	1
12	660901004	Screw (#6-20 x 0.38 in.) .....	9
13	678244002	Nut (#6-18) .....	6
14	519815006	Control Panel Box .....	1
15	570766003	Wire Protector .....	1
16	660899002	Screw (#8-18 x 0.5 in.) .....	8
17	660598001	Screw (#6-20 x 0.38 in.) .....	7
18	790049002	Idle Control Card.....	1
19	660961002	Screw (#6-10 x 0.5 in., Torx Hd.).....	1
20	638128005	Spacer (4 mm).....	1
21	290435017	Wire Harness.....	1
22	140173027	Battery Charger Assembly .....	1
23	561383027	Grommet .....	1

FIGURE C LISTE DES PIÈCES

CLÉ NO.	RÉF. DE PIÈCE	DESCRIPTION	QTÉ
1	290432010	Afficheur numérique GenSmart.....	1
2	290400010	Prise double de disjoncteur de fuite à la terre de 120V .....	2
3	902114002	Isolateur.....	1
4	290401001	Prise de 120 de verrouillage par rotation (30 A).....	1
5	780350009	Disjoncteur (20 A).....	2
6	780351012	Disjoncteur (30 A).....	2
7	638930006	Plaque avant por boîtier du panneau de contrôle .....	1
8	760504014	Commutateur à balance.....	1
9	270290007	Commutateur de moteur.....	1
10	570409002	Dispositif de protection de la prise (30 A) ..	1
11	570409001	Dispositif de protection de la prise de fuite à la terre .....	1
12	660901004	Vis (#6-20 x 0,38 po) .....	9
13	678244002	Écrou (#6-18).....	6
14	519815006	Boîtier du panneau de contrôle.....	1
15	570766003	Protection de fil .....	1
16	660899002	Vis (#8-18 x 0.5 po) .....	8
17	660598001	Vis (#6-20 x 0.38 po) .....	7
18	790049002	Carte de commande de ralenti .....	1
19	660961002	Vis (#6-10 x 0.5 po, empreinte à six pans) ..	1
20	638128005	Entretoise (4 mm) .....	1
21	290435017	Harnais de fil .....	1
22	140173027	Ensemble de chargeur de piles.....	1
23	561383027	Oeillet .....	1

FIGURA C LISTA DE PIEZAS

NÚM REF.	NÚM PIEZA	DESCRIPCIÓN	CANT.
1	290432010	Pantalla digital GenSmart .....	1
2	290400010	Receptáculo doble de 120 V con GFCI ....	2
3	902114002	Aislante.....	1
4	290401001	Receptáculo de 120 V de fijación por giro (30 A).....	1
5	780350009	Disyuntor (20 A).....	2
6	780351012	Disyuntor (30 A).....	2
7	638930006	Placa de encare para panel de control .....	1
8	760504014	Interruptor de balancín.....	1
9	270290007	Interruptor del motor .....	1
10	570409002	Tapa del receptáculo (30 A).....	1
11	570409001	Tapa del receptáculo de GFCI .....	1
12	660901004	Tornillo (#6-20 x 0,38 pulg.).....	9
13	678244002	Tuerca (#6-18) .....	6
14	519815006	Caja del panel de control .....	1
15	570766003	Protección de alambre .....	1
16	660899002	Tornillo (#8-18 x 0.5 pulg.).....	8
17	660598001	Tornillo (#6-20 x 0.38 pulg.).....	7
18	790049002	Tarjeta de mando de ralenti.....	1
19	660961002	Tornillo (#6-10 x 0.5 pulg., cab. de torx) ...	1
20	638128005	Separador (4 mm) .....	1
21	290435017	Alambre arcos.....	1
22	140173027	Conjunto de cargador de baterías .....	1
23	561383027	Ojal .....	1







RD906814P

FIGURE D PARTS LIST

FIGURE D LISTE DES PIÈCES

FIGURA D LISTA DE PIEZAS

KEY PART NO.	NUMBER	DESCRIPTION	QTY
1	660938011	Bolt (M5 x 12 mm, Hex Hd.).....	2
2	678296004	Brush Cover .....	1
3	290440008	Automatic Voltage Regulator .....	1
4	290602003	Terminal Block.....	1
5	290441005	Brush Assembly .....	1
6	661603030	Rotor Bolt.....	1
7	661603031	Stator Bolt .....	4
8	660938012	Bolt (M5 x 16 mm, Hex Hd.).....	5
9	638623002	Washer .....	1
10	660938033	Bolt (M5 x 170 mm, Hex Hd.).....	2
11	678865003	Bearing Housing.....	1
12	310772040	Stator Assembly.....	1
13	310771039	Rotor Assembly.....	1
14	690840002	Nut (M5).....	2
15	638624020	Generator Head Cover.....	1
16	640331005	Engine Adaptor .....	1
17	570766004	Rubber Boot.....	1

CLÉ NO.	RÉF. DE PIÈCE	DESCRIPTION	QTÉ
1	660938011	Boulon (M5 x 12 mm, à tête hex) .....	2
2	678296004	Couvercle de balai .....	1
3	290440008	Régulateur de tension automatique.....	1
4	290602003	Plaque à bornes .....	1
5	290441005	Ensemble de balai.....	1
6	661603030	Boulon de rotor .....	1
7	661603031	Boulon de stator.....	4
8	660938012	Boulon (M5 x 16 mm, à tête hex) .....	5
9	638623002	Rondelle .....	1
10	660938033	Boulon (M5 x 170 mm, à tête hex) .....	2
11	678865003	Logement de roulement .....	1
12	310772040	Assemblage du stator .....	1
13	310771039	Assemblage du rotor.....	1
14	690840002	Écrou (M5).....	2
15	638624020	Couverture de tête de générateur.....	1
16	640331005	Adaptateur pour moteur.....	1
17	570766004	Gaine caoutchoutée.....	1

NÚM REF.	NÚM PIEZA	DESCRIPCIÓN	CANT.
1	660938011	Perno (M5 x 12 mm, cabeza hex.) .....	2
2	678296004	Tapa de la escobilla.....	1
3	290440008	Regulador automático de voltaje .....	1
4	290602003	Bloque de terminales .....	1
5	290441005	Conjunto de la escobilla.....	1
6	661603030	Perno del rotor .....	1
7	661603031	Perno de estator .....	4
8	660938012	Perno (M5 x 16 mm, cabeza hex.) .....	5
9	638623002	Arandela .....	1
10	660938033	Perno (M5 x 170 mm, cabeza hex.) .....	2
11	678865003	Cubierta de conjinete .....	1
12	310772040	Ensamble del estator .....	1
13	310771039	Ensamble del rotor .....	1
14	690840002	Tuerca (M5).....	2
15	638624020	Cubierta de la cabeza del generador.....	1
16	640331005	Adaptador motor.....	1
17	570766004	Botas de goma.....	1