

**RIDGID**  
**7000 Watt Generator**  
**Item No. RD907000P**  
**Mfg. No. 090930283**  
**Replacement Parts List**

**RIDGID**  
**Générateur de 7 000 watts**  
**Article No. RD907000P**  
**Fabrication No. 090930283**  
**Liste des pièces de rechange**

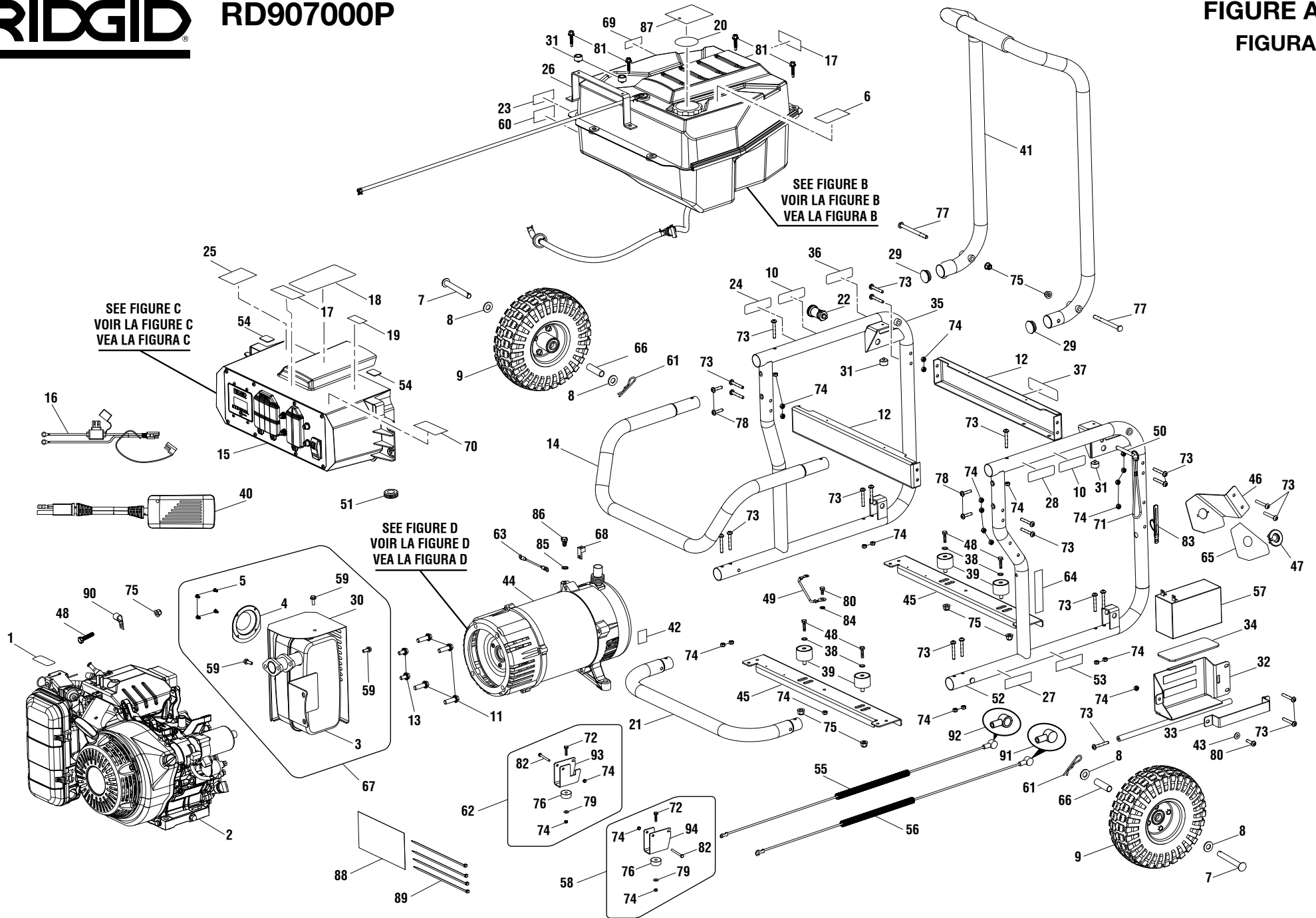
**RIDGID**  
**Generador 7 000 Watts**  
**Artículo No. RD907000P**  
**Fabricación No. 090930283**  
**Lista de pieza de repuesto**

**ONE WORLD TECHNOLOGIES, INC.**

P.O. Box 1288

Anderson, SC 29622, USA

1-866-539-1710 ■ [www.RIDGID.com](http://www.RIDGID.com)





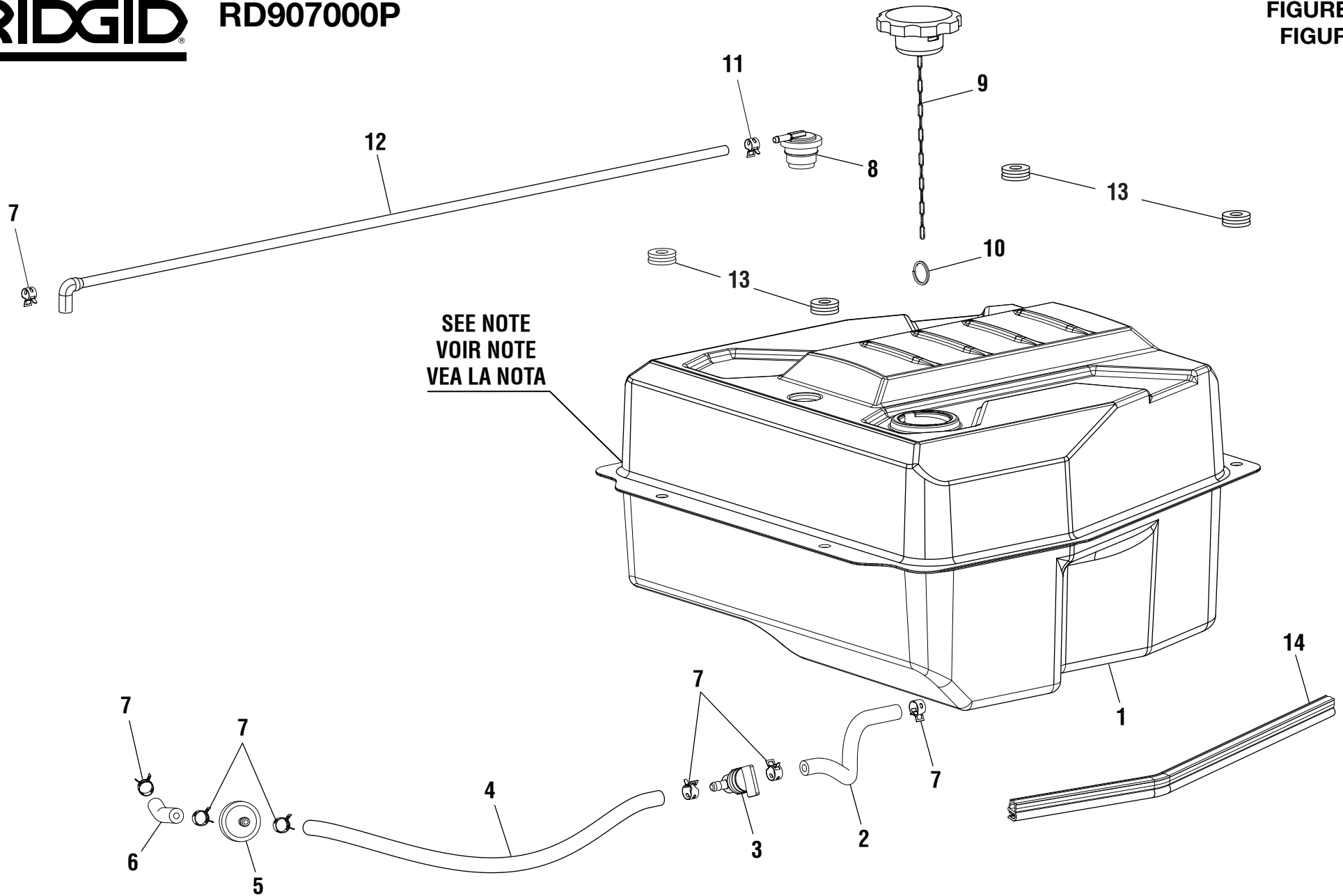
# RD907000P

## FIGURE A

KEY PART NO.	NUMBER	DESCRIPTION	QTY	KEY PART NO.	NUMBER	DESCRIPTION	QTY	KEY PART NO.	NUMBER	DESCRIPTION	QTY
1	940647033	Choke Label.....	1	35	308581158	Right Frame Assembly.....	1	68	638703003	Ground Lug.....	1
2	<b>NOTE A</b>	Engine.....	1	36	940758005	Pin Release Label.....	1	69	940654254	Warning Label.....	1
3	309322037	Muffler w/Brackets.....	1	37	940513027	Ground Warning Label.....	1	70	940686052	Electric Start Label.....	1
4	638147003	Spark Arrester Screen.....	1	38	673155001	Washer (M8).....	4	71	308640002	Bungee Cord.....	1
5	661306001	Screw (8-32 x 3/8 in.).....	4	39	570356012	Isolator.....	4	72	660505031	Bolt (M6 x 25 mm, Hex Hd.).....	2
6	940872024	Fuel Stabilizer Label (French/Spanish).....	1	40	140173033	Battery Charger.....	1	73	661834004	Bolt (M6 x 42 mm, Torx Pan Hd.).....	23
7	681866001	Axle Bolt.....	2	41	310224066	Handle Assembly (Incl. Key 29).....	1	74	678460009	Lock Nut (M6).....	28
8	638275002	Washer (1/2 in.).....	4	42	940513002	Ground Label.....	1	75	678774012	Flange Nut (M8).....	7
9	308451010	Wheel.....	2	43	638387005	Washer (1/4 in.).....	1	76	570554001	Wear Pad.....	2
10	940595002	Zero Gravity Label.....	2	44	310227059	Generator Head Assembly (See Figure D).....	1	77	661851004	Bolt (M8 x 98 mm).....	2
11	660596002	Bolt (3/8-16 x 1.25 in.).....	4	45	638735036	Crossbar (Engine).....	2	78	661834005	Bolt (M6 x 25 mm, Torx Pan Hd.).....	4
12	638959012	Crossbar (Fuel Tank).....	2	46	638702027	Bracket (Fuel Valve).....	1	79	673154002	Washer (M6).....	2
13	660599002	Bolt (5/16-24 x 0.63 in.).....	2	47	519813025	Fuel Valve Bezel.....	1	80	661505021	Bolt (M6 x 16 mm, Hex Hd.).....	2
14	638221007	Front Frame (Top).....	1	48	660973017	Bolt (M8 x 35 mm, Hex Hd.).....	5	81	660901036	Screw (1/4-14 x 1.25 in.).....	4
15	290403076	Control Panel Assembly (see figure C).....	1	49	290404009	Ground Wire Assembly.....	1	82	660505033	Bolt (M6 x 50 mm, Hex Hd.).....	2
16	290435011	Pigtail (DC).....	1	50	310712001	Release Pin.....	1	83	519729002	J-Clamp.....	1
17	940705168	Logo Label.....	2	51	561383003	Grommet (16 mm).....	1	84	673157002	Star Washer (M6).....	1
18	940705260	Performance Label.....	1	52	308581157	Left Frame Assembly.....	1	85	673157001	Star Washer (M8).....	1
19	940872003	E85 Label.....	1	53	940708019	Lubricant Label.....	1	86	660391002	Bolt (M8 x 20 mm, Hex Hd.).....	1
20	940872022	Fuel Stabilizer Label (English).....	1	54	570630003	Rubber Isolator.....	2	87	940971087	Hangtag Label.....	1
21	524470007	Front Frame (Bottom).....	1	55	290418003	Battery Cable (Red).....	1	88	560878003	Rubber Sheet.....	1
22	308910001	Release Pin.....	1	56	290419005	Battery Cable (Black).....	1	89	930717003	Tie Wrap.....	4
23	940974089	Fire Distance Label.....	1	57	750400010	Battery (12 Volt).....	1	90	519729001	J-Clamp.....	1
24	940680027	Hot Surface Label.....	1	58	310739012	Left Foot Assembly.....	1	91	570766014	Rubber Battery Cable Boot (Black).....	1
25	940515017	CPSC Label.....	1	59	660975009	Bolt (M6 x 9 mm).....	3	92	570766013	Rubber Battery Cable Boot (Red).....	1
26	638702006	Bracket (Control Panel Box).....	1	60	940947003	Combustion Label.....	1	93	638706010	Right Foot.....	1
27	941486012	Inquiries Label.....	1	61	678146002	Hitch Pin.....	2	94	638706009	Left Foot.....	1
28	940974007	Fire Danger Label.....	1	62	310739011	Right Foot Assembly.....	1	<b>NOT SHOWN:</b>			
29	519712003	End Cap.....	2	63	290455004	Bonding Wire.....	1	991000434	Operator's Manual (090930283)		
30	638497041	Heat Shield.....	1	64	940617153	Start Label.....	1	991000435	Quick Start Guide		
31	570712002	Handle Bumper.....	4	65	940647104	Fuel Valve Label.....	1	120302026	Hardware Kit -Wheels (Incl. Keys 7-8, 61, and 66)		
32	308509004	Battery Box Assembly.....	1	66	638498004	Axle Spacer.....	2	120302025	Hardware Kit -Feet (Incl. Keys 58 and 62)		
33	308681009	Battery Bracket.....	1	67	309322038	Muffler Assembly.....	1				
34	570630004	Gasket (Battery Hold Down Bracket).....	1								

**NOTE A:** OWT Industries, Inc., will not provide engines as replacement parts. Engines are covered through the engine manufacturer's warranty. Consult the accompanying engine manual or contact our service department for assistance.

**WARNING:** To avoid possible personal injury or equipment damage, a registered electrician or an authorized service representative should perform installation and all service. Under no circumstances should an unqualified person attempt to wire into a utility circuit.



**\*\*NOTE:** If FUEL TANK is replaced, the RUBBER STRIPPING must also be replaced.

**\*\*NOTE:** Si du RÉSERVOIR DE CARBURANT est remplacé, le DÉCAPAGE DE CAOUTCHOUC doit également être remplacé.

**\*\*NOTA:** Si el TANQUE DE COMBUSTIBLE se sustituye, el DESMONTAJE DE GOMA también debe ser reemplazado.



RD907000P

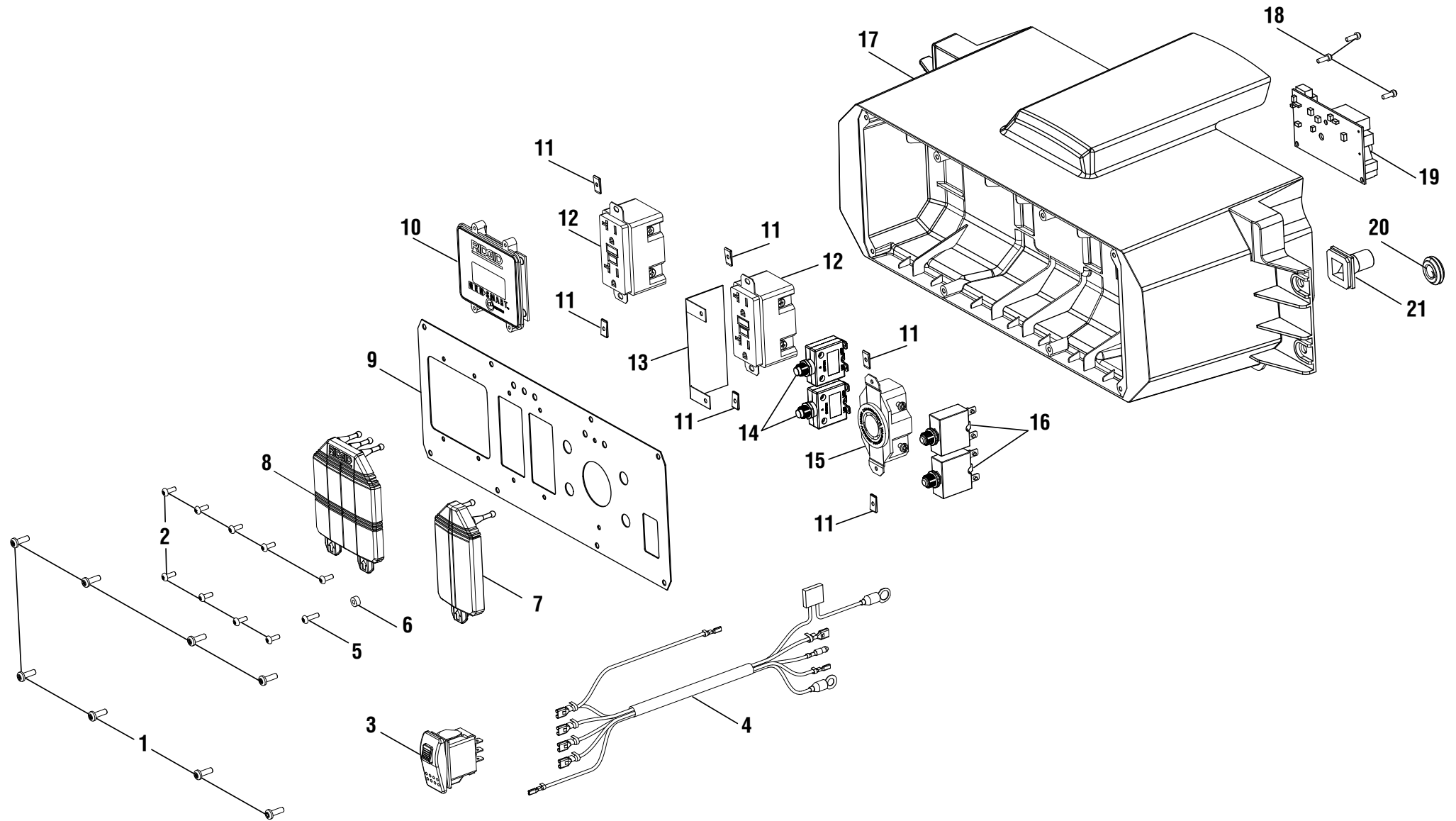
FIGURE B / FIGURA B

KEY	P/N	DESCRIPTION	QTY	PIÈCE RÉF.	DESCRIPTION	QTÉ	REF.	N/P	DESCRIPCIÓN	CANT.
1	310711154	Fuel Tank (Incl. Key Nos. 13-14) .....	1	310711154	Réservoir de carburant (incl. pièce réf 13 et 14).....	1	310711154		Réservoir de carburant (incl. núm. ref. 13 y 14).....	1
2	570358131	Fuel Hose (1/4 x 220 mm).....	1							
3	308459005	Fuel Shut Off Valve.....	1	2 570358131	Tuyau flexible de carburant (1/4 x 220 mm).....	1	2	570358131	Manguera de combustible (1/4 x 220 mm) .....	1
4	570358128	Fuel Hose (1/4 x 390 mm).....	1	3 308459005	Robinet de carburant .....	1	3	308459005	Válvula combustible .....	1
5	308733008	Fuel Filter.....	1	4 570358128	Tuyau flexible de carburant (1/4 x 390 mm).....	1	4	570358128	Manguera de combustible (1/4 x 390 mm) .....	1
6	570358133	Fuel Hose (5 mm x 95 mm) .....	1	5 308733008	Filtre à carburant .....	1	5	308733008	Filtro de combustible .....	1
7	678408006	Hose Clamp (1/2 in.) .....	7	6 570358133	Tuyau flexible de carburant (5 mm x 95 mm).....	1	6	570358133	Manguera de combustible (5 mm x 95 mm) .....	1
8	310854002	Vapor Vent.....	1	7 678408006	Collier de la tuyau (1/2 po) .....	7	7	678408006	Abrazadera de manguera (1/2 pulg.).....	7
9	310720026	Fuel Cap.....	1	8 310854002	Vent de vapeur .....	1	8	310854002	Respirador del vapor.....	1
10	678899007	Ring Clip.....	1	9 310720026	Bouchon de carburant .....	1	9	310720026	Tapa del tanque de combustible.....	1
11	678409003	Hose Clamp (7/16 in.) .....	1	10 678899007	Agrafe à bague.....	1	10	678899007	Sujetador de anillo .....	1
12	570358142	Vapor Hose (825 mm).....	1	11 678409003	Collier de la tuyau (7/16 po) .....	1	11	678409003	Abrazadera de manguera (7/16 pulg.).....	1
13	310225001	Bushing (Fuel Tank).....	4	12 570358142	Conduite de vapeur (825 mm).....	1	12	570358142	Manguera de vapor (825 mm).....	1
14	570818002	Rubber Stripping.....	1	13 310225001	Douille (réservoir de carburant) .....	4	13	310225001	Buje (réservoir de carburant).....	4
				14 570818002	Caoutchouc décapage.....	1	14	570818002	Desmontaje de goma.....	1

**\*\*NOTE:** If FUEL TANK is replaced, the RUBBER STRIPPING must also be replaced.

**\*\*NOTE:** Si du RÉSERVOIR DE CARBURANT est remplacé, le DÉCAPAGE DE CAOUTCHOUC doit également être remplacé.

**\*\*NOTA:** Si el TANQUE DE COMBUSTIBLE se sustituye, el DESMONTAJE DE GOMA también debe ser reemplazado.

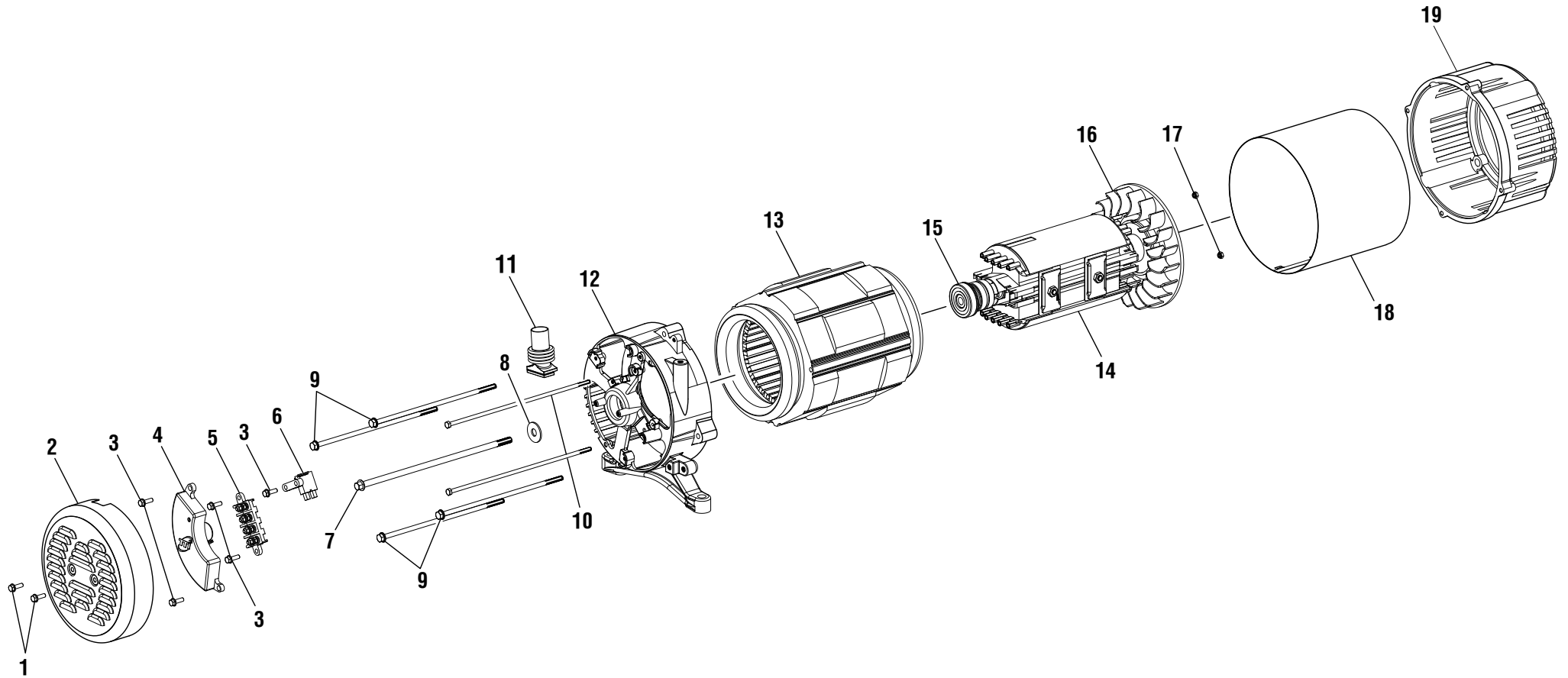




**RD907000P**

**FIGURE C / FIGURA C**

KEY	P/N	DESCRIPTION	QTY	PIÈCE RÉF.	DESCRIPTION	QTÉ	REF.	N/P	DESCRIPCIÓN	CANT.
1	660899002	Screw (#8-18 x 0.5 in.).....	8	1 660899002	Vis (#8-18 x 0,5 po.).....	8	1	660899002	Tornillo (#8-18 x 0,5 pulg.) .....	8
2	660901004	Screw (#6-20 x 0.38 in.).....	9	2 660901004	Vis (#6-20 x 0,38 po.).....	9	2	660901004	Tornillo (#6-20 x 0,38 pulg.) .....	9
3	270290008	Engine Switch.....	1	3 270290008	Commutateur de moteur .....	1	3	270290008	Interruptor del motor.....	1
4	290435002	Pigtail (DC).....	1	4 290435002	Natte (CC).....	1	4	290435002	Coleta (corr. cont.) .....	1
5	660961002	Screw (#6-10 x 0.5 in., Torx Hd.) ...	1	5 660961002	Vis (#6-10 x 0,5 po, empreinte à six pans).....	1	5	660961002	Tornillo (#6-10 x 0,5 pulg., cab. de torx).....	1
6	638128005	Spacer (4 mm) .....	1	6 638128005	Entretoise (4 mm).....	1	6	638128005	Separador (4 mm) .....	1
7	570409002	Receptacle Cover (30 Amp).....	1	7 570409002	Dispositif de protection de la prise (30 A) .....	1	7	570409002	Tapa del receptáculo (30 A) .....	1
8	570409001	GFCI Receptacle Cover.....	1	8 570409001	Dispositif de protection de la prise de fuite à la terre .....	1	8	570409001	Tapa del receptáculo de GFCI .....	1
9	638930009	Control Panel Faceplate .....	1	9 638930009	Plaque avant por boîtier du panneau de contrôle.....	1	9	638930009	Placa de encare para panel de control.....	1
10	290432010	Gensmart Display .....	1	10 290432010	Afficheur numérique GenSmart .....	1	10	290432010	Pantalla digital GenSmart .....	1
11	678244002	Nut (#6-18).....	6	11 678244002	Écrou (#6-18) .....	6	11	678244002	Tuerca (#6-18) .....	6
12	290400024	120 Volt Duplex GFCI Receptacle .....	2	12 290400024	Prise double de disjoncteur de fuite à la terre de 120V.....	2	12	290400024	Receptáculo doble de 120 V con GFCI .....	2
13	902114002	Insulator .....	1	13 902114002	Isolateur .....	1	13	902114002	Aislante .....	1
14	780350009	Circuit Breaker (20 Amp).....	2	14 780350009	Disjoncteur (20 A).....	2	14	780350009	Disyuntor (20 A) .....	2
15	290401001	120 Volt Twist Lock Receptacle (30 Amp) .....	1	15 290401001	Prise de 120 de verrouillage par rotation (30 A) .....	1	15	290401001	Receptáculo de 120 V de fijación por giro (30 A).....	1
16	780351012	Circuit Breaker (30 Amp).....	2	16 780351012	Disjoncteur (30 A).....	2	16	780351012	Disyuntor (30 A) .....	2
17	519815007	Control Panel Box.....	1	17 519815007	Boîtier du panneau de contrôle .....	1	17	519815007	Caja del panel de control.....	1
18	660598001	Screw (#6-20 x 0.38 in.).....	3	18 660598001	Vis (#6-20 x 0,38 po.).....	3	18	660598001	Tornillo (#6-20 x 0,38 pulg.) .....	3
19	140173027	Battery Charger .....	1	19 140173027	Chargeur de piles.....	1	19	140173027	Cargador de baterías .....	1
20	561383027	Wire Protector.....	1	20 561383027	Protection de fil.....	1	20	561383027	Protección de alambre.....	1
21	570766003	Wire Protector.....	1	21 570766003	Protection de fil.....	1	21	570766003	Protección de alambre.....	1







RD907000P

FIGURE D / FIGURA D

KEY	P/N	DESCRIPTION	QTY	PIÈCE	RÉF.	DESCRIPTION	QTÉ	REF.	N/P	DESCRIPCIÓN	CANT.
1	660938011	Bolt (M5 x 12 mm, Hex Hd.) .....	2	1	660938011	Boulon (M5 x 12 mm, à tête hex)...	2	1	660938011	Perno (M5 x 12 mm, cabeza hex.).....	2
2	678296004	Brush Cover.....	1	2	678296004	Couvercle de balai .....	1				
3	660938012	Bolt (M5 x 16 mm, Hex Hd.) .....	5	3	660938012	Boulon (M5 x 16 mm, à tête hex) .....	5	2	678296004	Tapa de la escobilla .....	1
4	290440008	Automatic Voltage Regulator .....	1					3	660938012	Perno (M5 x 16 mm, cabeza hex.).....	5
5	290602003	Terminal Block .....	1	4	290440008	Régulateur de tension automatique.....	1	4	290440008	Regulador automático de voltaje...	1
6	290441005	Brush Assembly .....	1	5	290602003	Plaque à bornes.....	1	5	290602003	Bloque de terminales .....	1
7	661603030	Rotor Bolt.....	1	6	290441005	Ensemble de balai .....	1	6	290441005	Conjunto de la escobilla .....	1
8	638623002	Washer.....	1	7	661603030	Boulon de rotor .....	1	7	661603030	Perno del rotor .....	1
9	661603031	Stator Bolt.....	4	8	638623002	Rondelle.....	1	8	638623002	Arandela.....	1
10	660938012	Bolt (M5 x 245 mm, Hex Hd.) .....	2	9	661603031	Boulon de stator .....	4	9	661603031	Perno de estator .....	4
11	570766004	Rubber Boot .....	1	10	660938012	Boulon (M5 x 245 mm, à tête hex).....	2	10	660938012	Perno (M5 x 245 mm, cabeza hex.).....	2
12	678865003	Bearing Housing .....	1	11	570766004	Gaine caoutchoutée .....	1	11	570766004	Botas de goma .....	1
13	310772040	Stator Assembly .....	1	12	678865003	Logement de roulement.....	1	12	678865003	Cubierta de conjinete.....	1
14	310771039	Rotor Assembly .....	1	13	310772040	Assemblage du stator.....	1	13	310772040	Ensamble del estator .....	1
15	681963001	Ball Bearing.....	1	14	310771039	Assemblage du rotor .....	1	14	310771039	Ensamble del rotor.....	1
16	307471001	Fan.....	1	15	681963001	Roulement à bille .....	1	15	681963001	Cojinete de bolas.....	1
17	690840002	Hex Nut (M5).....	2	16	307471001	Ventilateur .....	1	16	307471001	Ventilador .....	1
18	638624020	Generator Head Cover.....	1	17	690840002	Écrou hexagonal (M5).....	2	17	690840002	Tuerca hexagonal (M5).....	2
19	640331005	Engine Adaptor .....	1	18	638624020	Couverture de tête de générateur.....	1	18	638624020	Cubierta de la cabeza del generador.....	1
				19	640331005	Adaptateur pour moteur .....	1	19	640331005	Adaptador motor .....	1