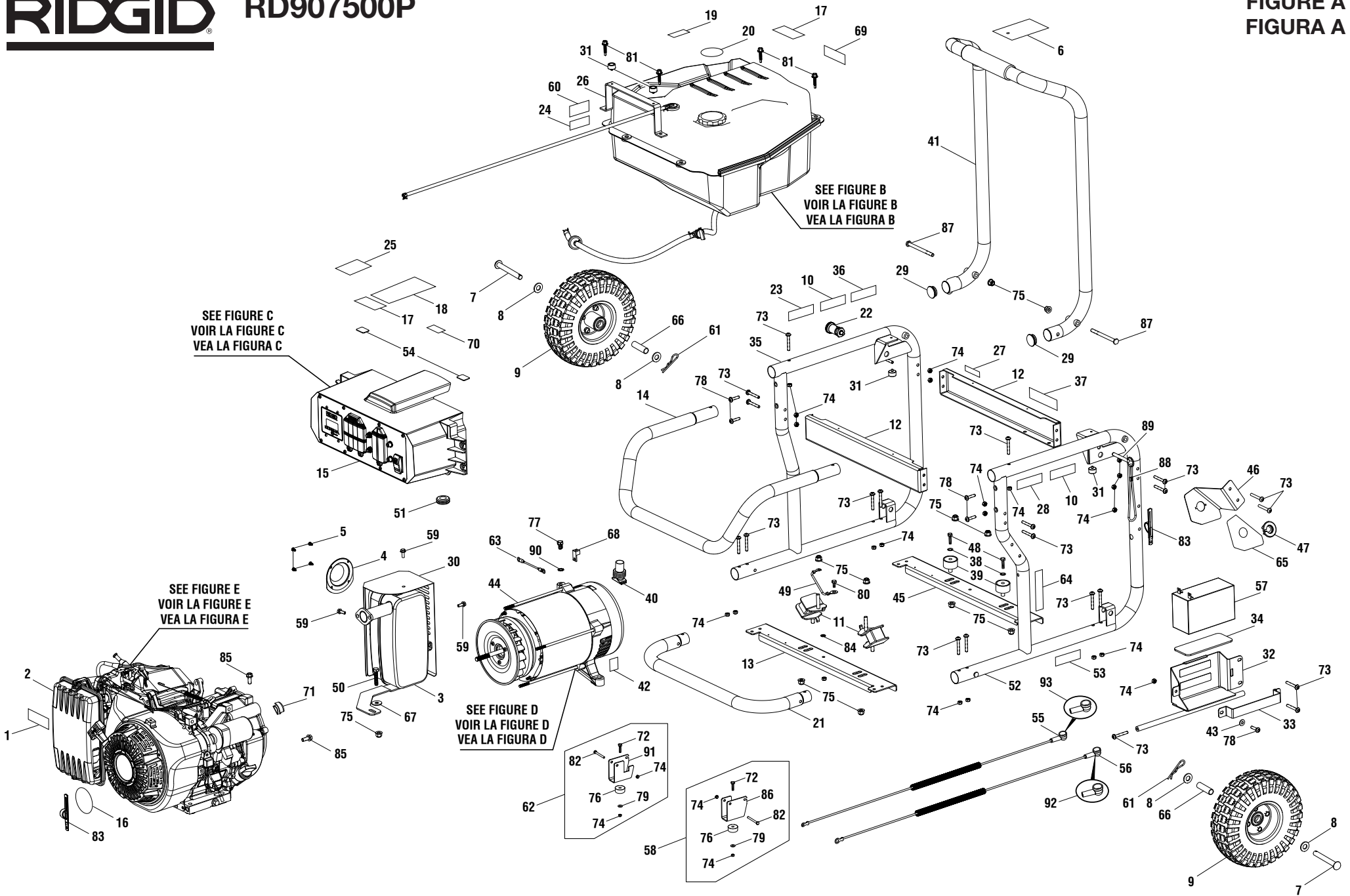


RIDGID
7500 Watt Generator
Item No. RD907500P
Mfg. No. 100930224
Replacement Parts List

RIDGID
Générateur de 7 500 watts
Article No. RD907500P
Fabrication No. 100930224
Liste des pièces de rechange

RIDGID
Generador de 7 500 Watts
Artículo No. RD907500P
Fabricación No. 100930224
Lista de pieza de repuesto



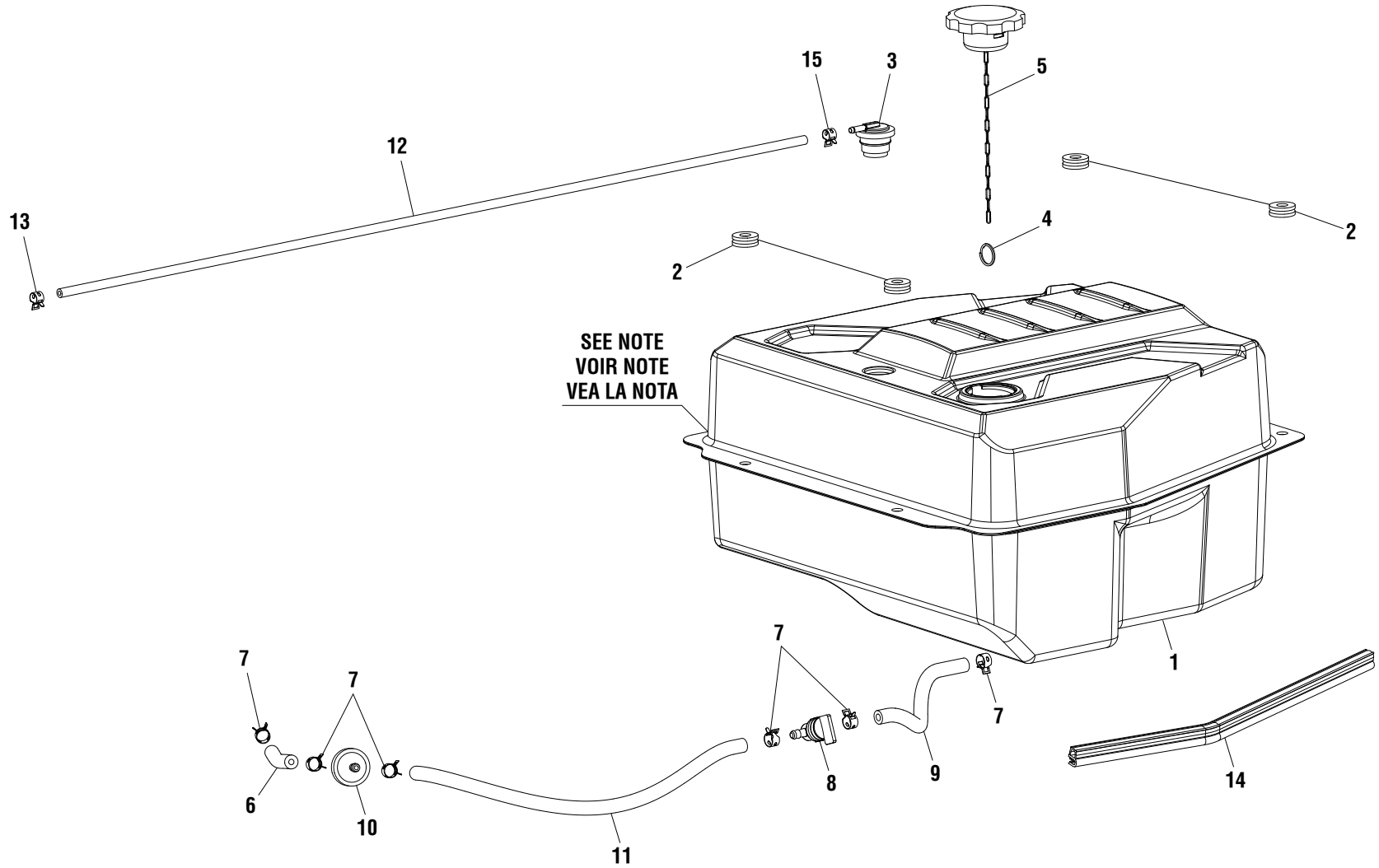


RD907500P

FIGURE A

KEY	P/N	DESCRIPTION	QTY	KEY	P/N	DESCRIPTION	QTY	KEY	P/N	DESCRIPTION	QTY
1	940647102	Choke Label.....	1	34	570630004	Gasket.....	1	66	638498004	Axle Spacer.....	2
2	N/A	Engine (See Figure E).....	1	35	308581158	Right Frame Assembly.....	1	67	638675001	Washer (5/16 in.).....	1
3	309322035	Muffler.....	1	36	940758005	Pin Release Label.....	1	68	638703003	Ground Lug.....	1
4	638147003	Spark Arrester.....	1	37	940513027	Ground Warning Label.....	1	69	940654254	Warning Label.....	1
5	661306001	Screw (8-32 x 3/8 in.).....	4	38	673155001	Lock Washer (M8).....	2	70	940617105	Electric Start Label.....	1
6	940971087	Warning Hangtag.....	1	39	570356012	Isolator (Generator Head).....	2	71	563030001	Rubber Plug.....	1
7	681866001	Axle (1/2 in. x 4 in., Pan Hd.).....	2	40	570766002	Rubber Boot.....	1	72	660505033	Bolt (M6 x 50 mm, Hex Hd.).....	2
8	638275002	Washer (1/2 in.).....	4	41	310224066	Handle Assembly.....	1	73	661834004	Bolt (M6 x 42 mm, Torx Pan Hd.).....	23
9	308451010	Wheel.....	2	42	940513002	Ground Label.....	1	74	678460009	Nut (M6).....	28
10	940595002	Zero Gravity Label.....	2	43	638387005	Washer (1/4 in.).....	1	75	678774012	Nut (M8).....	9
11	570356006	Isolator (Engine).....	2	44	310227062	Generator Head Assembly (See Figure D).....	1	76	570554001	Wear Pad.....	2
12	638959012	Crossbar (Fuel Tank).....	2	45	638735041	Crossbar (Generator Head).....	1	77	660973016	Bolt (M8 x 15 mm., Hex Hd.).....	1
13	638735040	Crossbar (Engine).....	1	46	638702027	Bracket (Fuel Valve).....	1	78	661834005	Bolt (M6 x 25 mm, Torx Pan Hd.).....	5
14	638221007	Front Frame (Top).....	1	47	519813025	Fuel Valve Bezel.....	1	79	673154002	Washer (M6).....	2
15	290403061	Control Panel Assembly (See Figure C).....	1	48	660973017	Bolt (M8 x 35 mm, Hex Hd.).....	2	80	661505021	Bolt (M6 x 16 mm, Hex Hd.).....	1
16	940633034	Recoil Housing Label.....	1	49	290404009	Ground Wire Assembly.....	1	81	660901036	Screw (1/4-14 x 1.25 in.).....	4
17	940705168	Logo Label.....	1	50	660973019	Bolt (M8 x 40 mm, Hex Hd.).....	1	82	660505031	Bolt (M6 x 125 mm, Hex Hd.).....	2
18	940779119	Performance Label.....	1	51	561383003	Grommet (16 mm).....	1	83	519729002	J-Clamp.....	2
19	940872003	E85 Label.....	1	52	308581157	Left Frame Assembly.....	1	84	673157002	Washer (M6).....	1
20	940872006	Fuel Stabilizer Label.....	1	53	940708019	Lubricant Label.....	1	85	660391002	Bolt (M8 x 20 mm, Hex Hd.).....	2
21	524470007	Front Frame (Bottom).....	1	54	570630003	Rubber Isolator.....	2	86	638706009	Left Foot.....	1
22	308910001	Release Pin.....	1	55	290418003	Battery Cable (Red).....	1	87	661851004	Bolt (M8 x 1.25 in.).....	2
23	940974089	Fire Distance Label.....	1	56	290419005	Battery Cable (Black).....	1	88	308640002	Bungee Cord.....	1
24	940680027	Hot Surface Label.....	1	57	750400010	Battery (12 Volt).....	1	89	310712001	Release Pin.....	1
25	940515017	CPSC Label.....	1	58	310739012	Left Foot Assembly.....	1	90	673157001	Washer (M8).....	1
26	638702006	Bracket (Control Panel Box).....	1	59	660975009	Bolt (M6 x 9 mm).....	3	91	638706010	Right Foot.....	1
27	941486005	Inquiries Label.....	1	60	940947003	Combustion Label.....	1	92	570766014	Rubber Battery Cable Boot (Black).....	1
28	940974007	Fire Danger Label.....	1	61	678146002	Hitch Pin.....	2	93	570766013	Rubber Battery Cable Boot (Red).....	1
29	519712003	End Cap (31 mm).....	2	62	310739011	Right Foot Assembly.....	1	Not Shown:			
30	638497038	Heat Shield.....	1	63	290455004	Bonding Wire.....	1	991000014	Operator's Manual		
31	570712002	Handle Bumper.....	4	64	940617135	Quick Start Label.....	1	991000015	Quick Reference Guide		
32	308509004	Battery Box Assembly.....	1	65	940647104	Fuel Valve Label.....	1	120302025	Hardware Kit		
33	308681010	Battery Bracket.....	1					120302026	Hardware Kit		

WARNING: To avoid possible personal injury or equipment damage, a registered electrician or an authorized service representative should perform installation and all service. Under no circumstances should an unqualified person attempt to wire into a utility circuit.



****NOTE:** If FUEL TANK is replaced, the RUBBER STRIPPING must also be replaced.

****NOTE:** Si du RÉSERVOIR DE CARBURANT est remplacé, le DÉCAPAGE DE CAOUTCHOUC doit également être remplacé.

****NOTA:** Si el TANQUE DE COMBUSTIBLE se sustituye, el DESMONTAJE DE GOMA también debe ser reemplazado.



RD907500P

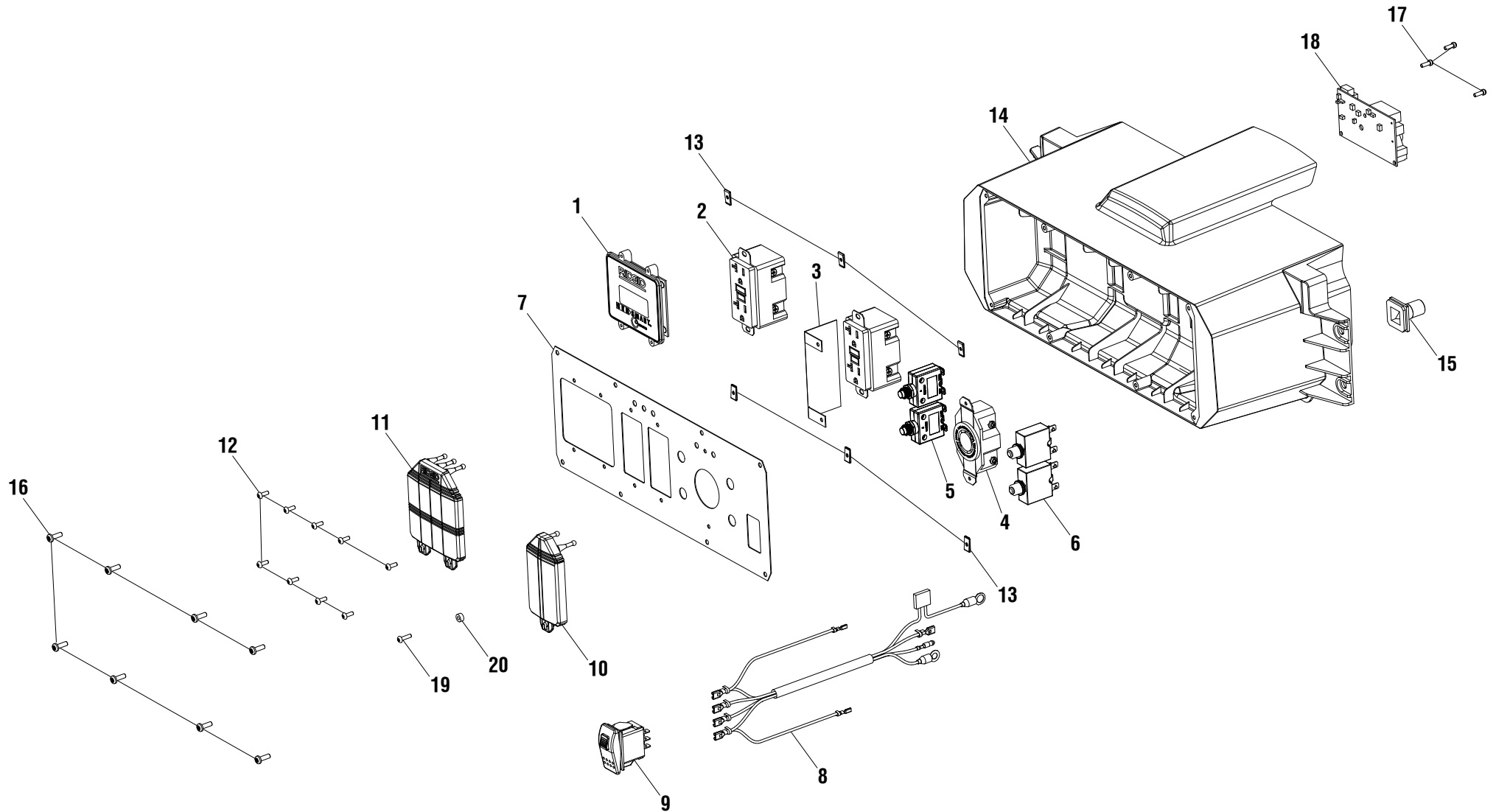
FIGURE B / FIGURA B

KEY	P/N	DESCRIPTION	QTY	PIÈCE RÉF.	DESCRIPTION	QTÉ	REF.	N/P	DESCRIPCIÓN	CANT.
1	310711154	Fuel Tank	1	310711154	Réservoir de carburant.....	1	1	310711154	Tanque de combustible	1
2	310225001	Bushing (Fuel Tank)	4	310225001	Douille (réservoir de carburant) ...	4	2	310225001	Buje (tanque de combustible).....	4
3	310854002	Vapor Vent	1	310854002	Vent de vapeur.....	1	3	310854002	Respirador del vapor	1
4	678899007	Ring Clip	1	678899007	Agrafe à bague	1	4	678899007	Sujetador de anillo.....	1
5	310720026	Fuel Cap (Small)	1	310720026	Bouchon de carburant (petite)	1	5	310720026	Tapa del tanque de combustible (pequeña)	1
6	570358127	Fuel Hose (60 mm)	1	570358127	Tuyau flexible de carburant (60 mm)	1	6	570358127	Manguera de combustible (60 mm).....	1
7	678408006	Fuel Line Clamp (1/2 in.).....	6	678408006	Bride de conduite de carburant (1/2 po).....	6	7	678408006	Abrazadera de conducto (1/2 pulg.)	6
8	308459005	Fuel Shut Off Valve	1	308459005	Robinet de carburant.....	1	8	308459005	Válvula combustible	1
9	570358131	Fuel Hose (220 mm)	1	570358131	Tuyau flexible de carburant (220 mm)	1	9	570358131	Manguera de combustible (220 mm).....	1
10	308733008	Fuel Filter (1/4 in.)	1	308733008	Filtre à carburant (1/4 po)	1	10	308733008	Filtro de combustible (1/4 pulg.)..	1
11	570358140	Fuel Hose (430 mm)	1	570358140	Tuyau flexible de carburant (430 mm)	1	11	570358140	Manguera de combustible (430 mm).....	1
12	570358142	Vapor Hose.....	1	570358142	Conduite de vapeur	1	12	570358142	Manguera de vapor	1
13	678408005	Vapor Line Hose Clamp.....	1	678408005	Bride de conduite de vapeur	1	13	678408005	Abrazadera de la manguera del conducto de vapor	1
14	570818002	Rubber Stripping	1	570818002	Caoutchouc décapage	1	14	570818002	Desmontaje de goma	1
15	678409003	Hose Clamp (7/16 in.).....	1	678409003	Collier de la tuyau (7/16 po).....	1	15	678409003	Abrazadera de manguera (7/16 pulg.)	1

****NOTE:** If FUEL TANK is replaced, the RUBBER STRIPPING must also be replaced.

****NOTE:** Si du RÉSERVOIR DE CARBURANT est remplacé, le DÉCAPAGE DE CAOUTCHOUC doit également être remplacé.

****NOTA:** Si el TANQUE DE COMBUSTIBLE se sustituye, el DESMONTAJE DE GOMA también debe ser reemplazado.

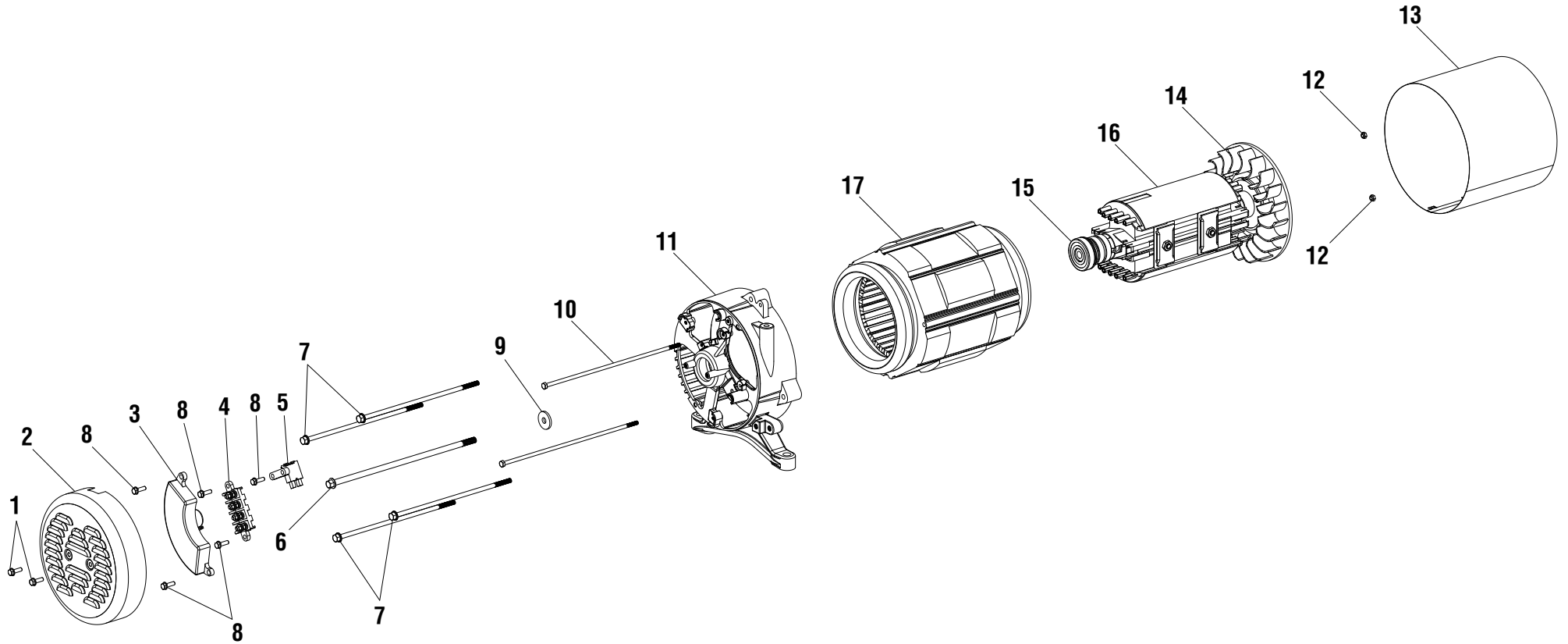




RD907500P

FIGURE C / FIGURA C

KEY	P/N	DESCRIPTION	QTY	PIÈCE RÉF.	DESCRIPTION	QTÉ	REF.	N/P	DESCRIPCIÓN	CANT.
1	290432010	Gensmart Display	1	290432010	Système de surveillance GenSmart.....	1	1	290432010	Sistema de monitoreo GenSmart.....	1
2	290400010	120 Volt Duplex GFCI Receptacle	2	290400010	Prise double de disjoncteur de fuite à la terre de 120V.....	2	2	290400010	Receptáculo doble de 120 V con GFCI	2
3	902114002	Insulator	1	902114002	Isolateur	1	3	902114002	Aislante	1
4	290401001	120 Volt Twist Lock Receptacle (30 Amp)	1	290401001	Prise de 120 de verrouillage par rotation (30 A).....	1	4	290401001	Receptáculo de 120 V de fijación por giro (30 A).....	1
5	780350007	Circuit Breaker (20 Amp)	2	780350007	Disjoncteur (20 A).....	2	5	780350007	Disyuntor (20 A)	2
6	780351012	Circuit Breaker (30 Amp)	2	780351012	Disjoncteur (30 A).....	2	6	780351012	Disyuntor (30 A)	2
7	638930009	Control Panel Faceplate	1	638930009	Plaque avant por boîtier du panneau de contrôle.....	1	7	638930009	Placa de encare para panel de control.....	1
8	290435015	Wire Harness	1	290435015	Harnais de fil	1	8	290435015	Alambre arcos.....	1
9	270290007	Engine Switch.....	1	270290007	Commutateur de moteur	1	9	270290007	Interruptor del motor.....	1
10	570409002	Receptacle Cover (30 Amp).....	1	570409002	Dispositif de protection de la prise (30 A)	1	10	570409002	Tapa del receptáculo (30 A)	1
11	570409001	GFCI Receptacle Cover.....	1	570409001	Dispositif de protection de la prise de fuite à la terre	1	11	570409001	Tapa del receptáculo de GFCI	1
12	660901004	Screw (#6-20 x 0.38 in.).....	9	660901004	Vis (#6-20 x 0,38 pulg.)	9	12	660901004	Tornillo (#6-20 x 0,38 pulg.)	9
13	678244002	Nut (#6-18).....	6	678244002	Écrou (#6-18)	6	13	678244002	Tuerca (#6-18)	6
14	519815006	Control Panel Box.....	1	519815006	Boîtier du panneau de contrôle	1	14	519815006	Caja del panel de control.....	1
15	570766003	Wire Protector.....	1	570766003	Protection de fil.....	1	15	570766003	Protección de alambre.....	1
16	660899002	Screw (#8-18 x 0.5 in.).....	8	660899002	Vis (#8-18 x 0,5 po).....	8	16	660899002	Tornillo (#8-18 x 0,5 pulg.)	8
17	660598001	Screw (#6-20 x 0.38 in.).....	3	660598001	Vis (#6-20 x 0,38 pulg.)	3	17	660598001	Tornillo (#6-20 x 0,38 pulg.)	3
18	140173028	Battery Charger	1	140173028	Chargeur de piles.....	1	18	140173028	Cargador de baterías	1
19	660961002	Screw (#6-10 x 0.5 in., Torx Hd.)	1	660961002	Vis (#6-10 x 0,5 po, tete à six pans)	1	19	660961002	Screw (#6-10 x 0,5 pulg, cab. de torx)	1
20	638128005	Spacer (4 mm)	1	638128005	Entretoise (4 mm).....	1	20	638128005	Separador (4 mm)	1

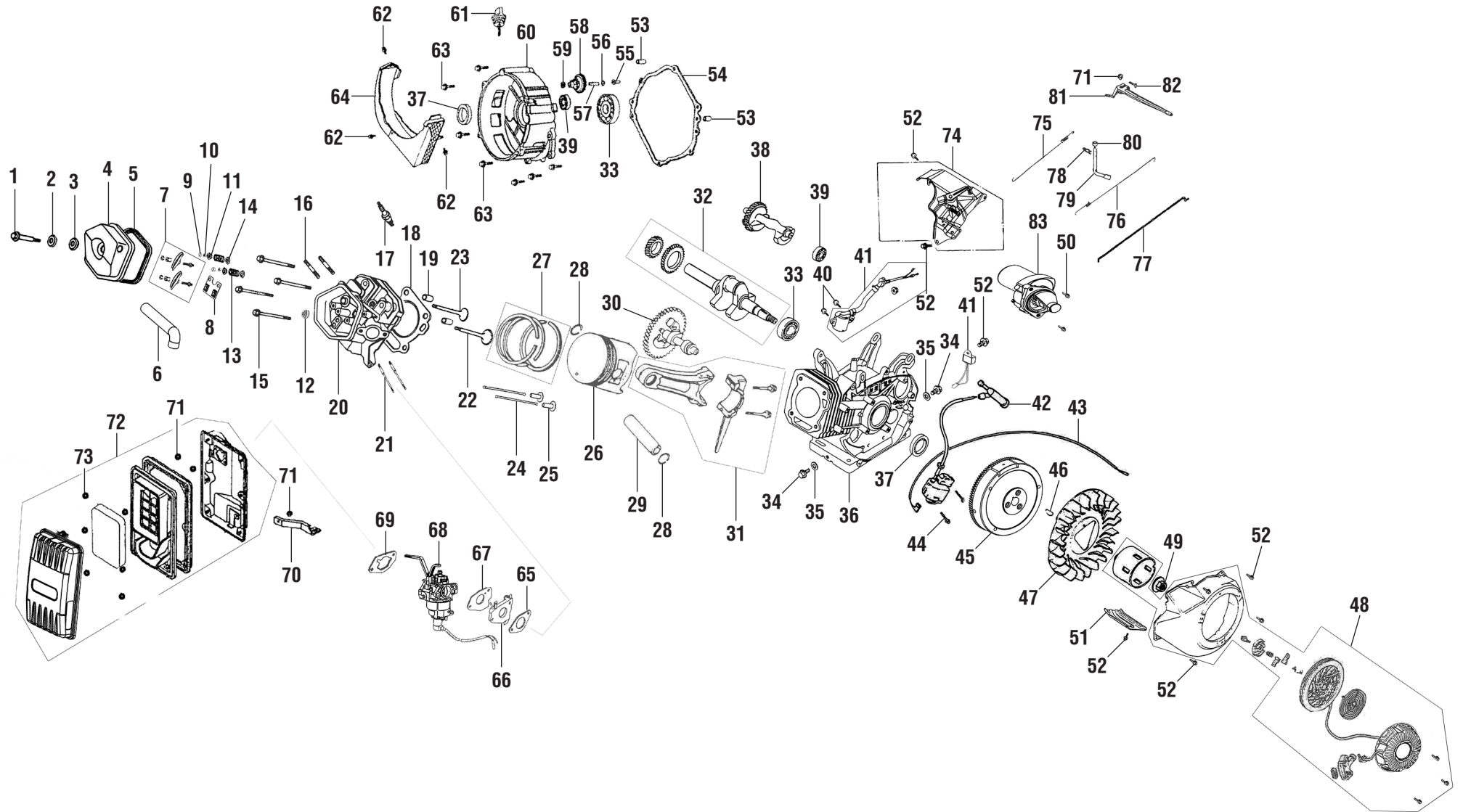




RD907500P

FIGURE D / FIGURA D

KEY	P/N	DESCRIPTION	QTY	PIÈCE RÉF.	DESCRIPTION	QTÉ	REF.	N/P	DESCRIPCIÓN	CANT.
1	660938011	Bolt (M5 x 12 mm, Hex Hd.).....	2	1 660938011	Boulon (M5 x 12 mm, à tête hex)...	2	1	660938011	Perno (M5 x 12 mm, cab. hex.).....	2
2	678296004	Brush Cover.....	1	2 678296004	Couvercle de balai	1	2	678296004	Tapa de la escobilla	1
3	290440008	Automatic Voltage Regulator.....	1	3 290440008	Régulateur de tension automatique.....	1	3	290440008	Regulador automático de voltaje	1
4	290602003	Terminal Block	1	4 290602003	Plaque à bornes.....	1	4	290602003	Bloque de terminales.....	1
5	290441005	Brush Assembly.....	1	5 290441005	Ensemble de balai	1	5	290441005	Conjunto de la escobilla	1
6	661603034	Rotor Bolt	1	6 661603034	Boulon de rotor.....	1	6	661603034	Perno del rotor.....	1
7	661603031	Stator Bolt	4	7 661603031	Boulon de stator	4	7	661603031	Perno de estator	4
8	660938012	Bolt (M5 x 16 mm, Hex Hd.).....	5	8 660938012	Boulon (M5 x 16 mm, à tête hex)...	5	8	660938012	Perno (M5 x 16 mm, cab. hex.).....	5
9	638623002	Washer.....	1	9 638623002	Rondelle.....	1	9	638623002	Arandela.....	1
10	660938033	Bolt (M5 x 170 mm, Hex Hd.).....	2	10 660938033	Boulon (M5 x 170 mm, à tête hex).....	2	10	660938033	Perno (M5 x 170 mm, cab. hex.).....	2
11	678865003	Bearing Housing	1	11 678865003	Logement de roulement.....	1	11	678865003	Cubierta de conjinete.....	1
12	690840002	Nut (M5).....	2	12 690840002	Écrou (M5).....	2	12	690840002	Tuerca (M5).....	2
13	638624020	Generator Head Cover	1	13 638624020	Couverture de tête de générateur.....	1	13	638624020	Cubierta de la cabeza del generador.....	1
14	307471001	Fan.....	1	14 307471001	Ventilateur	1	14	307471001	Ventilador	1
15	681963001	Bearing	1	15 681963001	Roulement.....	1	15	681963001	Conjinete.....	1
16	310771042	Rotor.....	1	16 310771042	Rotor.....	1	16	310771042	Rotor.....	1
17	310772043	Stator.....	1	17 310772043	Stator.....	1	17	310772043	Stator.....	1





KEY P/N	DESCRIPTION	QTY	KEY P/N	DESCRIPTION	QTY	KEY P/N	DESCRIPTION	QTY
1	01010122002 Bolt (Cylinder Head Cover)	1	30	01010600018 Camshaft Assembly	1	59	01011103001 Gasket.....	1
2	01010123002 Bolt (Gasket)	1	31	01010400016 Connecting Rod Assembly.....	1	60	01010702005 Gear Chamber Cover	1
3	01010124002 Bolt (Oil Seal)	1	32	0101050107351 Crankshaft Assembly	1	61	01010706019 Oil Dipstick.....	1
4	01010119015 Cylinder Head Cover.....	1	33	01010304020 Bearing (6207).....	2	62	030201008 Bolt (M5 x 8 mm, Cross Pan Hd.)	3
5	01010120003 Gasket (Cylinder Head Cover)	1	34	01010302008 Drain Nut.....	2	63	030304009 Bolt (M8 x 40 mm, Flange Hex Hd.).....	7
6	01010116008 Hose (Cylinder Head Cover)	1	35	01010303004 Washer	2	64	01030304001 Alternator Shroud.....	1
7	01010200008 Rocker Arm Assembly.....	2	36	01010301065 Cylinder Block Assembly	1	65	01010114008 Intake Gasket	1
8	01010113007 Push Rod Guide Plate.....	1	37	01010305020 Oil Seal.....	2	66	01010905008 Insulator Plate	1
9	01010112005 Exhaust Valve.....	2	38	01010510002 Balancer Shaft	1	67	01010902011 Gasket.....	1
10	01010111003 Valve Lock Clamp	4	39	01010304019 Bearing (6202).....	2	68	01010900076 Carburetor Assembly.	1
11	01010110004 Spring Retainer	2	40	030302036 Bolt (M6 x 16 mm, Flange Hex Hd.).....	2	69	01011302004 Gasket.....	1
12	01010128004 Intake Valve Guide	1	41	01011700015 Oil Circuit-Breaker Assembly.....	1	70	01011301003 Bracket.....	1
13	01010106012 Valve Spring	2	42	01011001018 Magneto Assembly.	1	71	030402005 Hex Nut (M6).....	4
14	01010109002 Retainer Ring	2	43	01011009006 Ignition Wire.....	1	72	01011300034 Air Filter Box Assembly.....	1
15	030303009 Stud (M10 x 80 mm).....	4	44	030302038 Bolt (M6 x 25 mm, Flange Hex Hd.).....	2	73	030402007 Hex Nut (M5).....	6
16	030309021 Stud (M8 x 35 mm).....	2	45	01010800030 Flywheel Assembly	1	74	01011101055 Governor Base Assembly.....	1
17	01011002009 Spark Plug	1	46	01010505004 Key	1	75	01011110033 Governor Spring.....	1
18	01010102042 Gasket (Cylinder Head)	1	47	01010802014 Fan	1	76	01011111011 Governor Spring.....	1
19	01010103006 Pin (Cylinder Head)	2	48	0101150102039 Recoil Assembly	1	77	01011112011 Throttle Adjusting Handle	1
20	01010101020 Cylinder Head Assembly.....	1	49	030403007 Nut	1	78	01011107003 Clip.....	1
21	030309022 Stud (M6 x 106 mm).....	2	50	030304008 Bolt (M8 x 35 mm, Flange Hex Hd.).....	2	79	01011106013 Rocker.....	1
22	01010104014 Intake Valve.....	1	51	01010131016 Shroud	1	80	01010305011 Oil Seal.....	1
23	01010105013 Exhaust Valve.....	1	52	030302035 Bolt (M6 x 12 mm, Flange Hex Hd.).....	8	81	01011109015 Governor Arm	1
24	01010117012 Push Rod	2	53	01010705004 Pin	2	82	030203001 Screw (Square Hd.).....	1
25	01010118008 Tappet	2	54	01010704010 Gasket.....	1	83	01011801014 Starter Assembly.....	1
26	01010402027 Piston	1	55	01011104004 Governor Slider.....	1		Not Shown:	
27	01010403026 Piston Ring Set	1	56	01011204002 Retaining Ring.....	1	120968009	High Altitude Kit	
28	01010405010 Clip.....	2	57	01011202006 Shaft.....	1		(2,000-7,000 ft., Not Included)	
29	01010404011 Piston Pin.....	1	58	01011201008 Gear.....	1			