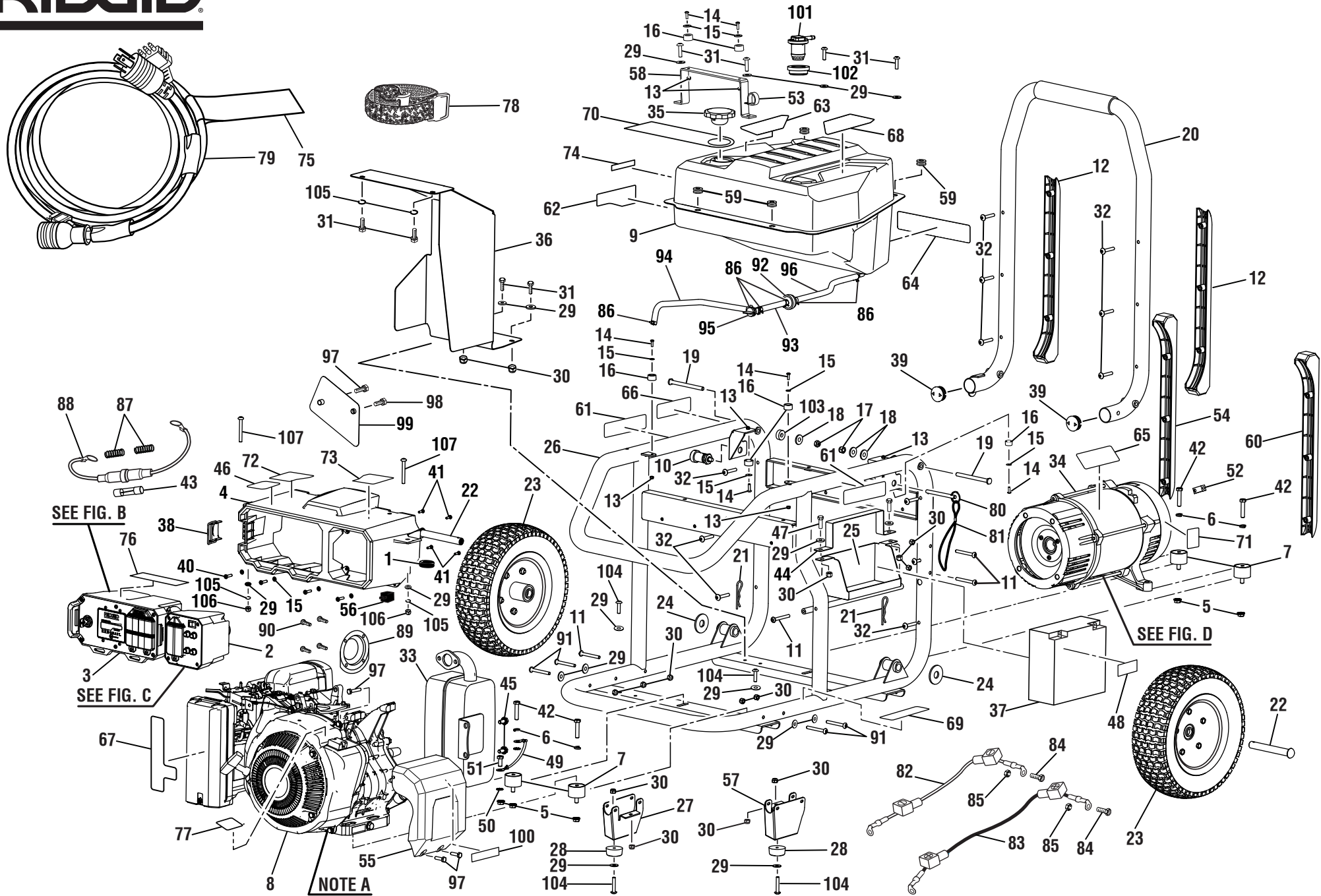
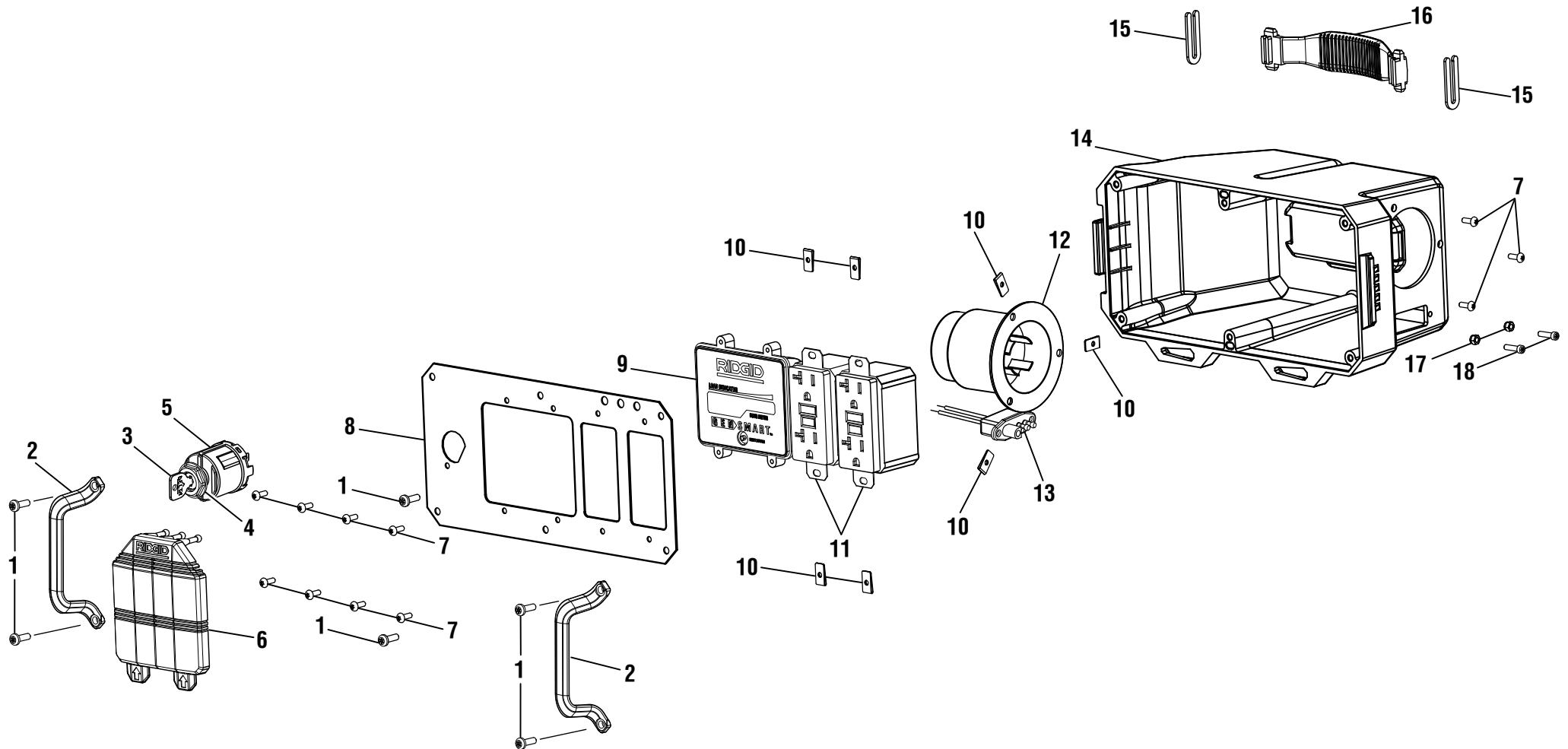


RIDGID® RD908000

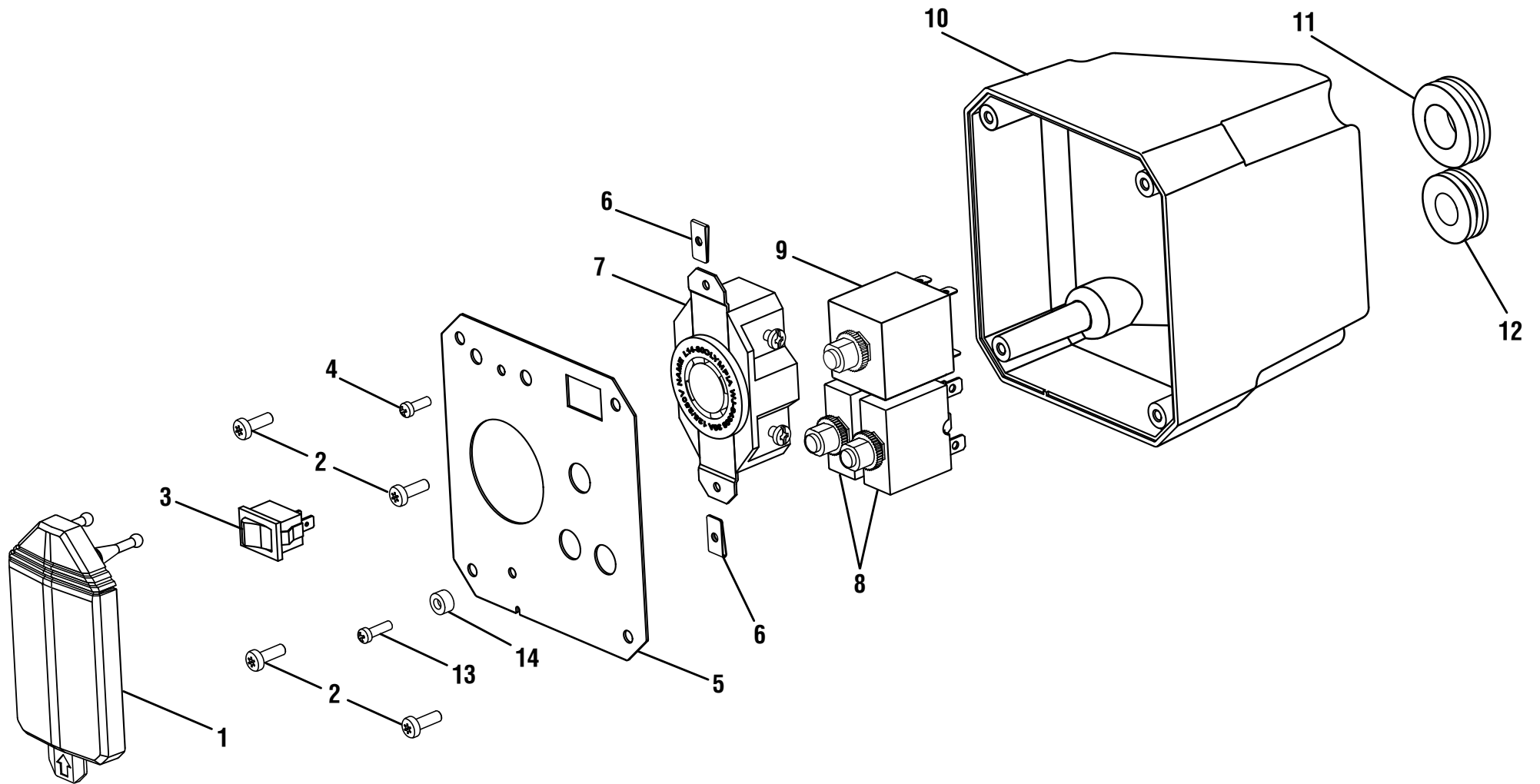


RIDGID® RD908000

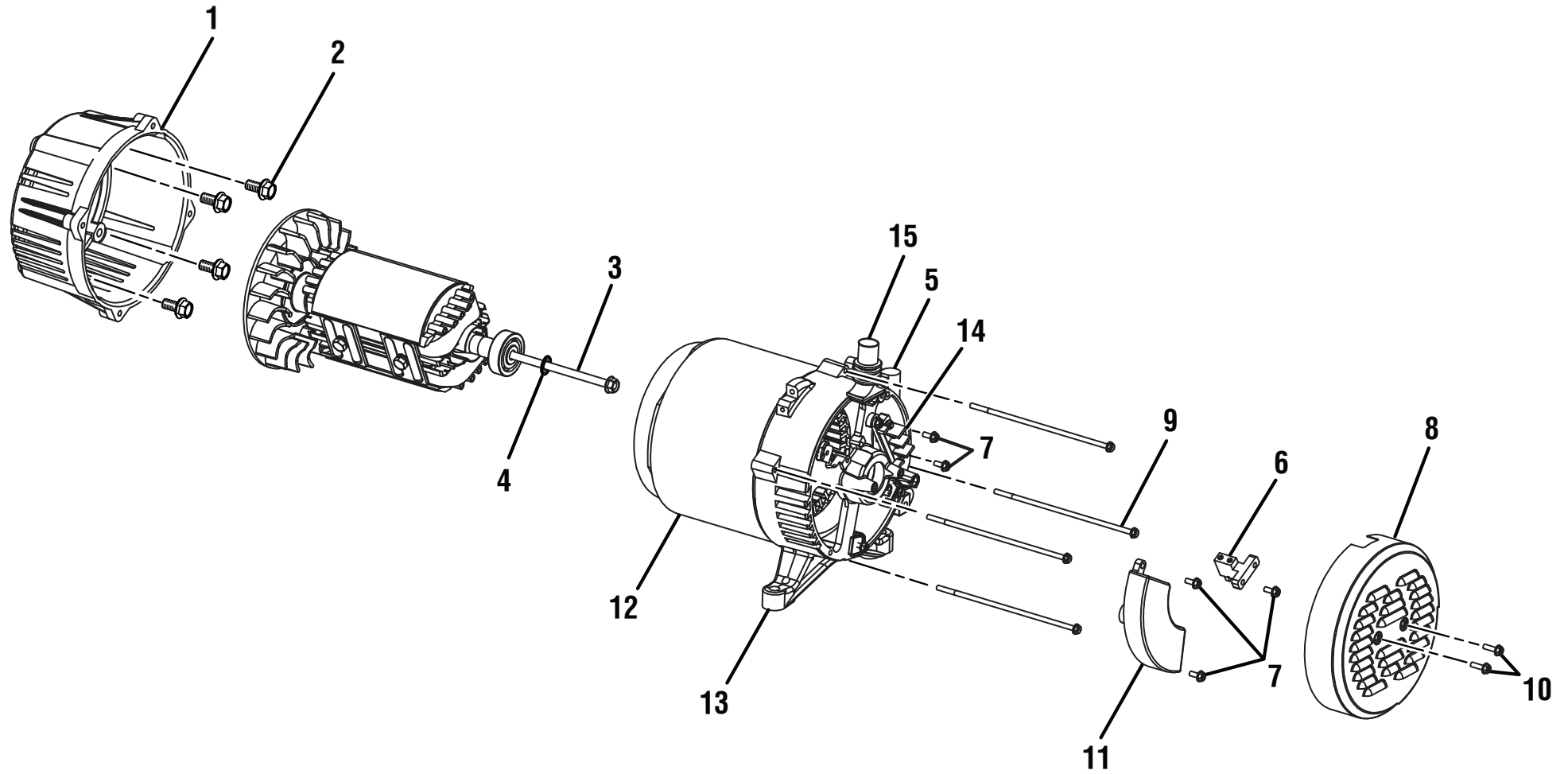
KEY	P/N	DESCRIPTION	QTY	KEY	P/N	DESCRIPTION	QTY	KEY	P/N	DESCRIPTION	QTY
1	561383003	Grommet (16 mm)	1	38	638634002	Compression Latch	1	74	940654088	Combustion Warning Label.....	1
2	290429007	Stationary Receptacle Box.....	1	39	518932002	End Cap (35 mm)	2	75	940819002	Cord Wrap Label	1
3	290429005	Remote Receptacle Box (Electric GFCI)	1	40	661596001	Screw (10-24 x 3/4 in., T25, Torx Pan Hd.)	4	76	940597001	Gensmart Instruction Label.....	1
4	519815001	Receptacle Box Cover	1	41	660899002	Screw (8-18 x 1/2 in.)	4	77	940937004	Fuel Valve Label	1
5	678145002	Hex Nut (5/16-18 in.).....	5	42	660591006	Bolt (5/16-18 x 1-1/2 in., Hex Hd.)	4	78	310662005	Cord Wrap	1
6	638678002	Lock Washer (5/16 in.).....	4	43	870271001	Fuse (10 amp).....	1	79	290426002	Extension Cord (25 ft., AC/DC)	1
7	570356001	Vibration Isolator	4	44	308681003	Battery Hold Down Strap	1	80	310712001	Handle Lock Pin	1
8	Note A	Engine (Subaru EX40 Electric Start).....	1	45	660599002	Bolt (5/16-24 x 5/8 in.).....	2	81	308640002	Bungee Cord	1
9	310711074	Fuel Tank	1	46	940872003	E85 Label	1	82	290418003	Battery Cable (Red)	1
10	308910001	Quick Release Pin	1	47	661503004	Bolt (1/4-20 x 1-1/4 in.)	2	83	290419003	Battery Cable (Black).....	1
11	661555002	Screw (1/4-20 x 2.1 in., T30, Torx Hd.).....	4	48	940605003	Battery Label	1	84	661595001	Screw (10-24 x 3/8 in., Hex Hd.)	2
12	519812001	Upper Slide Rail	2	49	290404001	Ground Wire Assembly.....	1	85	678033001	Flange Hex Nut (10-24)	2
13	678610002	Flange Nut (M4).....	6	50	638704001	Washer Star (5/16 in.).....	2	86	678408006	Fuel Line Clamp (1/2 in.).....	6
14	661555001	Bolt (M4 x 12.5 mm, Soc. Button Hd.).....	6	51	661502005	Bolt (5/16-18 x 3/4 in., Hex Hd.).....	1	87	678368002	Compression Spring.....	2
15	678600002	Washer (M4)	10	52	638703001	Ground Lug	1	88	290457001	Fuse Holder Assembly	1
16	570712001	Rubber Bumper.....	4	53	678819001	Wire Clamp.....	1	89	638147003	Spark Arrestor	1
17	678259003	Lock Nut (5/16-18)	2	54	519812003	Slide Rail (Muffler Side)	1	90	661306001	Screw (8-32 x 3/8 in.)	4
18	638128002	Washer (5/16 in.)	4	55	519813004	Starter Cover	1	91	660901005	Bolt (1/4-20 x 2 in., Hex Hd.).....	4
19	678522006	Pivot Pin (Handle).....	2	56	290976001	Relay.....	1	92	308733001	Fuel Line Filter	1
20	308638013	Handle Assembly	1	57	638706005	Foot (Non Muffler Side)	1	93	570358015	Fuel Line Hose (1/4 in. ID x 3.5 in.).....	1
21	678146002	Hitch Pin.....	2	58	638702006	Bracket	1	94	570358014	Fuel Line Hose (1/4 in. ID x 12.6 in.).....	1
22	620505001	Axle.....	2	59	310225001	Fuel Tank Bushing	4	95	308459002	Fuel Shut Off Valve (Inline 1/4 in. x 1/4-90)	1
23	308451022	Wheel (12 in. x 4 in.)	2	60	519812002	Slide Rail (Non Muffler Side).....	1	96	570358016	Fuel Line Hose (1/4 in. ID x 16 in.).....	1
24	638128001	Washer (5/8 in.).....	2	61	940595002	Zero Gravity Label	2	97	660481007	Screw (M6 x 25 mm, Hex Hd.)	4
25	308509002	Battery Box	1	62	940680028	Hot Surface Warning Label	1	98	660481010	Screw (M6 x 20 mm, Hex Hd.)	1
26	310222009	Frame Assembly.....	1	63	940707016	Danger Warning General Label	1	99	638497012	Heat Shield.....	1
27	638706004	Foot (Muffler Side).....	1	64	940513008	Ground Warning Label	1	100	940639002	Starter Cover Label	1
28	570554001	Rubber Foot	2	65	940678226	Data Plate.....	1	101	310854001	Rollover Vent	1
29	638387002	Washer (1/4 in.).....	18	66	940758005	Pull Pin Release Label.....	1	102	638711002	Bushing (Rollover Valve).....	1
30	678016006	Lock Nut (1/4-20)	15	67	940617046	Quick Start Label.....	1	103	638128006	Handle Spacer (5 mm).....	1
31	660901003	Screw (1/4-20 x 1 in., T27, Torx Hd.).....	8	68	940515017	CPSC Label.....	1	104	661503005	Bolt (1/4-20 x 1 in., Hex Hd.).....	4
32	660900002	Screw (1/4-15 x 1.5 in., Torx Pan Hd.)	12	69	940708007	Engine Oil Label	1	105	638678003	Lock Washer (1/4-20).....	4
33	309322005	Muffler	1	70	940971068	Fuel Hangtag Label	1	106	678681003	Cap Nut (1/4-20).....	2
34	310227022	Generator Head.....	1	71	940513002	Ground Icon Label.....	1	107	660901006	Bolt (1/4-20 x 48.5 mm, T30, Torx Hd.).....	2
35	310720026	Fuel Cap.....	1	72	940596001	Running Watts Label	1	Not Shown:			
36	638497011	Heat Shield.....	1	73	940686044	Starting Watts Label.....	1	988000644	Operator's Manual.....	1	
37	750400001	Battery (12 Volt).....	1								



KEY	P/N	DESCRIPTION	QTY	PIÈCE RÉF.	DESCRIPTION	QTÉ	REF. N/P	DESCRIPCIÓN	CANT.
1	660899003	Screw (8-18 x 3/4 in. Torx Hd.).....	6	1 660899003	Vis (8-18 x 3/4 po, empreinte à six pans).....	6	1 660899003	Tornillo (8-18 x 3/4 pulg., cabeza de torx).....	6
2	638701004	Handle (Remote Control Panel).....	2	2 638701004	Poignée (Panneau de commande à distance).....	2	2 638701004	Mango (panel de control remoto).....	2
3	678288002	Switch Key	1	3 678288002	Clé de Commutateur	1	3 678288002	Llave del interruptor	1
4	678692001	Switch Key Nut.....	1	4 678692001	Écrou de clé d'interrupteur.....	1	4 678692001	Tuerca de la llave del interruptor	1
5	270290001	Switch.....	1	5 270290001	Commutateur	1	5 270290001	Interruptor.....	1
6	570409001	Outlet Cover	1	6 570409001	Couvercle de prise	1	6 570409001	Cubierta de salida	1
7	660901004	Screw (6-20 x 3/8 in. Torx Hd.).....	11	7 660901004	Vis (6-20 x 3/8 po, empreinte à six pans).....	11	7 660901004	Tornillo (6-20 x 3/8 pulg., cabeza de torx).....	11
8	638700008	Cover Plate (Remote Control Panel)	1	8 638700008	Couverture (Panneau de commande à distance)	1	8 638700008	Placa Tapa (Panel del control remoto).....	1
9	290432002	GenSmart™ Monitoring System	1	9 290432002	Système de surveillance GenSmart™.....	1	9 290432002	Sistema de monitoreo GenSmart™	1
10	678244002	Speed Nut (6-18)	7	10 678244002	Écrou rapide (6-18).....	7	10 678244002	Tuerca de apriete rápido (6-18)	7
11	290400010	20 Amp Duplex GFCI Receptacle (120 Volts AC).....	2	11 290400010	Prise double de disjoncteur de fuite à la terre de 20 A (120 V c.a.)	2	11 290400010	Receptáculo doble de 20 A con GFCI (120/ V corr. alt.)	2
12	290430001	20 Amp Inlet (120/240 Volts AC)	1	12 290430001	Prise de 20 A (120/240 V c.a.).....	1	12 290430001	Entrada de 20 A (120/240 V corr. alt.)	1
13	290431001	Pigtail (DC to Remote Box, Page 7)	1	13 290431001	Natte (CC vers le boîtier distant, page 7)	1	13 290431001	Coleta (corr. cont. a caja remota, página 7).....	1
14	519813002	Control Panel Box (Remote).....	1	14 519813002	Boîtier du panneau de contrôle (distant)	1	14 519813002	Caja del panel de control (remota)	1
15	678815002	Clip	2	15 678815002	Agrafe.....	2	15 678815002	Sujetador	2
16	570372001	Carrying Handle	1	16 570372001	Poignée de transport.....	1	16 570372001	Mango de acarreo	1
17	678720001	Lock Nut (6-32).....	2	17 678720001	Écrou de blocage (6-32).....	2	17 678720001	Contratuerca (6-32)	2
18	661597001	Screw (6-32 x 1/2 in. Torx Hd.).....	2	18 661597001	Vis (6-32 x 1/2 po, empreinte à six pans).....	2	18 661597001	Tornillo (6-32 x 1/2 pulg., cabeza de torx).....	2
19	290428002	Wire Kit (Remote Box, Page 7).....	1	19 290428002	Ensemble de fils (Boîtier distant, page 7).....	1	19 290428002	Juego de alambre (caja alejada, página 7).....	1



KEY	P/N	DESCRIPTION	QTY	PIÈCE RÉF.	DESCRIPTION	QTÉ	REF. N/P	DESCRIPCIÓN	CANT.
1	570409002	Receptacle Cover.....	1	570409002	Dispositif de protection de la prise	1	1 570409002	Tapa del receptáculo	1
2	660899002	Screw (8-18 x 1/2 in. Torx Hd.).....	4	660899002	Vis (8-18 x 1/2 po, empreinte à six pans)	4	2 660899002	Tornillo (8-18 x 1/2 pulg., cabeza de torx)	4
3	760700002	Switch (On/Off, Page 10).....	1	760700002	Interrupteur marche/arrêt (page 10)	1	3 760700002	Interruptor de encendido/apagado (página 10).....	1
4	660901004	Screw (6-20 x 3/8 in. Torx Hd.).....	1	660901004	Vis (6-20 x 3/8 po, empreinte à six pans)	1	4 660901004	Tornillo (6-20 x 3/8 pulg., cabeza de torx)	1
5	638700010	Cover Plate (Stationary Control Panel).....	1	638700010	Couverture (panneau de commande stationnaire).....	1	5 638700010	Placa tapa (panel de control fijo).....	1
6	678244002	Speed Nut (6-18)	2	678244002	Écrou rapide (6-18).....	2	6 678244002	Tuerca de apriete rápido (6-18)	2
7	290401001	30 Amp Twist Lock Receptacle (120/240 Volts AC).....	1	290401001	Prise à verrouillage par rotation 30 A (120/240 V c.a.)	1	7 290401001	Receptáculo de fijación por giro de 30 A (120/240 V corr. alt.)	1
8	780350001	20 Amp Circuit Breaker (120 Volts AC)	2	780350001	20 Ampères disjoncteur (120 V c.a.).....	2	8 780350001	20 Amperios disyuntor (120 V corr. alt.)	2
9	780351004	30 Amp Circuit Breaker (240 Volts AC)	1	780351004	30 Ampères disjoncteur (240 V c.a.)	1	9 780351004	30 Amperios disyuntor (240 V corr. alt)	1
10	519813001	Control Panel Box (Stationary)	1	519813001	Boîtier du panneau de contrôle (fixe)	1	10 519813001	Caja del panel de control (estacionaria)	1
11	561383003	Grommet (16 mm)	1	561383003	Oeillet (16 mm)	1	11 561383003	Ojal (16 mm)	1
12	561383002	Grommet (12.7 mm)	1	561383002	Oeillet (12,7 mm)	1	12 561383002	Ojal (12,7 mm)	1
13	660961002	Screw (6-20 x 1/2 in., Torx Hd.).....	1	660961002	Vis (6-20 x 1/2 po, empreinte à six pans)	1	13 660961002	Tornillo (6-20 x 1/2 pulg., cabeza de torx)	1
14	638128005	Spacer (4 mm)	1	638128005	Entretoise (4 mm)	1	14 638128005	Separador (4 mm).....	1
15	290428003	Wire Kit (Stationary Box, Page 10)	1	290428003	Ensemble de fils (Boîtier fixe, page 10).....	1	15 290428003	Juego de alambre (caja estacionaria, página 10).....	1
16	290434001	Pigtail (Remote Box to Stationary Box, 120/240 Volts AC, Page 10)	1	290434001	Natte (du boîtier distant au boîtier fixe, 120/240 V c.a., page 10)	1	16 290434001	Coleta (caja alejada a caja estacionaria (120/240 V corr. cont., página 10)	1
17	290434002	Pigtail (Generator Head, Page 10).....	1	290434002	Natte (Tête de génératrice, page 10).....	1	17 290434002	Coleta (Cabezal del generador, página 10)	1
18	290435002	Pigtail (DC to Engine, Page 10)	1	290435002	Natte (CC vers le moteur, page 10)	1	18 290435002	Coleta (corr. cont. a motor, página 10).....	1



RIDGID® RD908000

KEY	P/N	DESCRIPTION	QTY	PIÈCE RÉF.	DESCRIPTION	QTÉ	REF. N/P	DESCRIPCIÓN	CANT.
1	640331005	Adapter Housing	1	640331005	Logement de l'adaptateur	1	1 640331005	Carcasa del adaptador	1
2	660596002	Bolt (3/8-16 x 1-1/4 in., Grade 5)	4	660596002	Boulon (3/8-16 x 1-1/4 po, Calibre 5).....	4	2 660596002	Perno (3/8-16 x 1-1/4 pulg., de grado 5)	4
3	661603008	Bolt (5/16-24).....	1	661603008	Boulon (5/16-24).....	1	3 661603008	Perno (5/16-24)	1
4	638623002	Washer (5/16 in.).....	1	638623002	Rondelle frein (5/16 po)	1	4 638623002	Arandela de fijación (5/16 pulg.).....	1
5	310227022	Generator Head Assembly (Incl. Key Nos. 1 and 3-15).....	1	310227022	Ensemble moteur de la générateur (y compris clavettes no. 1 et 3-15).....	1	5 310227022	Conjunto de cabezal de su generador (incl. núm. de ref. 1 y 3-15).....	1
6	290441005	Brush Assembly	1	290441005	Ensemble de charbon	1	6 290441005	Conjunto de la escobilla.....	1
7	660938012	Bolt (M5 x 16 mm, Hex Hd.).....	5	660938012	Boulon (M5 x 16 mm, à tête hex)	5	7 660938012	Perno (M5 x 16 mm, cabeza hex.)	5
8	678296004	Brush Cover	1	678296004	Couvercle de balai.....	1	8 678296004	Tapa de la escobilla.....	1
9	661603009	Bolt (Stator)	4	661603009	Boulon (stator).....	4	9 661603009	Perno (Estátor).....	4
10	660938011	Bolt (M5 x 10 mm).....	2	660938011	Boulon (M5 x 10 mm).....	2	10 660938011	Perno (M5 x 10 mm).....	2
11	290440008	Automatic Voltage Regulator.....	1	290440008	Régulateur de tension automatique	1	11 290440008	Regulador automático de voltaje	1
12	638624002	Generator Head Cover	1	638624002	Couverture de tête de générateur.....	1	12 638624002	Cubierta de la cabeza del generador	1
13	678865003	Bearing Housing.....	1	678865003	Logement de roulement	1	13 678865003	Cubierta de conjinete	1
14	290602003	Terminal Block.....	1	290602003	Plaque à bornes	1	14 290602003	Bloque de terminales	1
15	570766004	Rubber Boot.....	1	570766004	Gaine caoutchoutée	1	15 570766004	Botas de goma.....	1