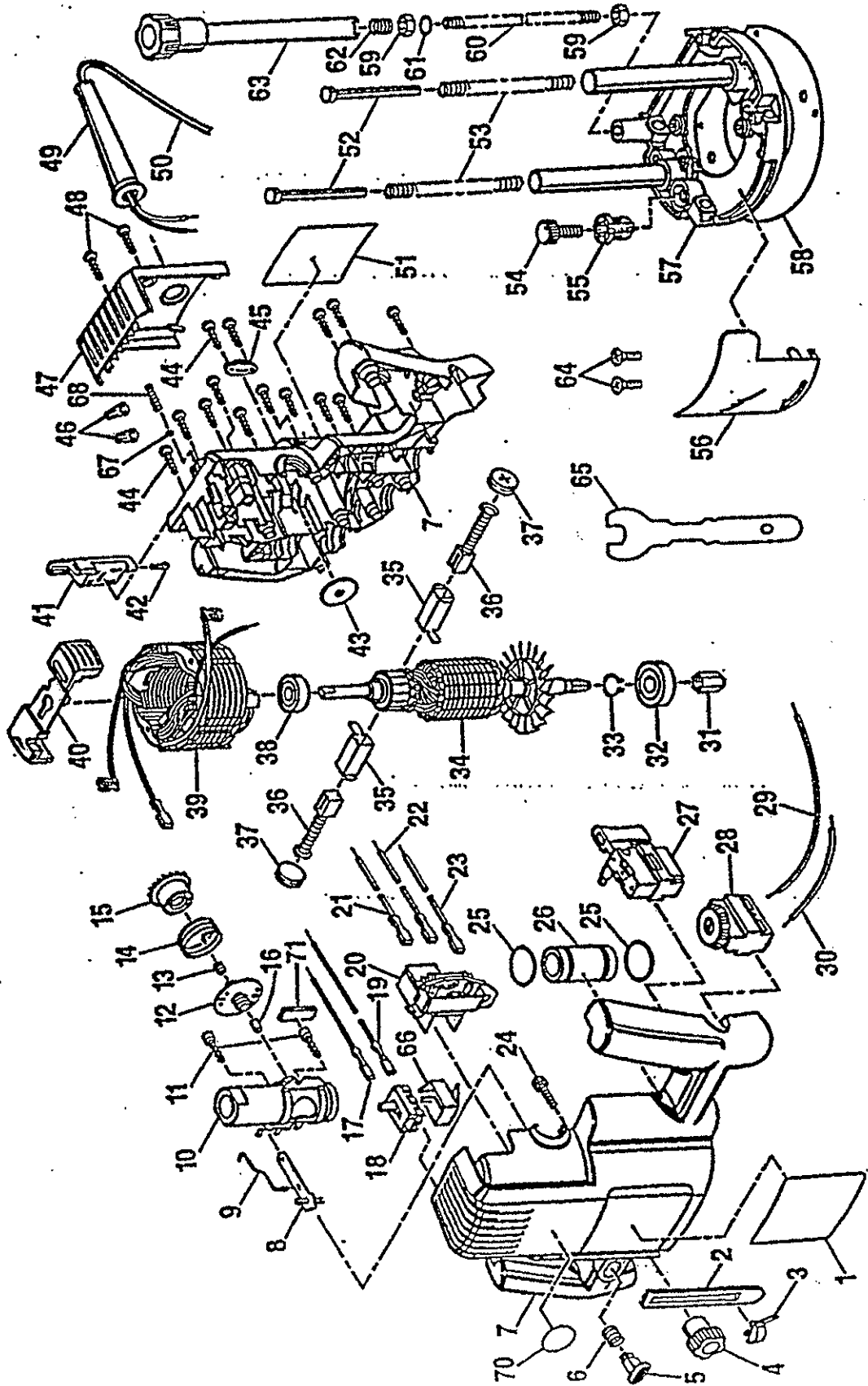


PLUNGE ROUTER

RE-175



PARTS LIST FOR AFTER SALES SERVICE MODEL RE175

REF	PART NO.	DESCRIPTION	QTY	REF	PART NO.	DESCRIPTION	QTY
1	972441001	LOGO PLATE	1	37	970764001	BRUSH CAP	1
2	972260001	STOP BAR	1	38	622274001	BALL BEARING 608ZZ	1
3	972261001	ZERO RESET INDICATOR	1	39	968307103	FIELD	1
4	972334001	LOCK KNOB	1	40	972253002	SPINDLE LOCK	1
5	972348002	PLUNGE RELEASE LOCK	1	41	972259001	PLUNGE LOCK RELEASE	1
6	973100001	COMPRESSION SPRING	1	42	616967001	CAP SCREW	1
7	972362001	HOUSING ASSEMBLY	1	43	623552001	STATOR PAD	1
8	972268002	PLUNGE RELEASE LEVER	1	44	616968003	SCREW	14
9	972274001	LINKAGE ARM	1	45	967917001	CORD CLAMP	1
10	972270003	BRACKET W/BEARING	1	46	623173005	WIRE NUT	2
11	616445005	SCREW	2	47	972262001	END CAP	1
12	972272001	CLAMP BOLT	1	48	606124007	SCREW	2
13	970740002	SET SCREW	1	49	968603001	BEND RELIEF	1
14	972273001	TORSION SPRING	1	50	969274014	CORD	1
15	972271001	RATCHET PLATE	1	51	972442001	DATA PLATE	1
16	970742002	STOP PLUG	1	52	970723001	GUIDE PIN	2
17	972264005	BLACK LEAD	1	53	970754002	COMPRESSION SPRING	2
18	612856002	SLIDE SWITCH	1	54	972276002	ACCU-STOP DPTH STP KNB	1
19	972264004	BLACK LEAD	1	55	972275001	GAGE CAP	1
20	999846002	POWER MODULE	1	56	972265001	CHIP SHIELD	1
21	972264009	WHITE LEAD	1	57	972258203	BASE ASS'Y(INC.KEY NO.58)	1
22	972264007	BROWN LEAD	1	58	972277001	SUBBASE	1
23	972264010	YELLOW LEAD	1	59	607406005	HEX NUT	2
24	615486010	SCREW	1	60	970732002	DEPTH ADJUSTMENT ROD	1
25	622199015	O-RING	2	61	703493820	WASHER	1
26	970731002	BEARING	1	62	971137001	SPRING	1
27	623814004	SWITCH TRIGGER	1	63	972439002	DEPTH CONTROL KNOB	1
28	990822002	VARIABLE SPD CTRL SELECTOR	1	64	622183054	SCREW	1
29	972264008	WHITE LEAD	1	65	989935006	WRENCH	1
30	972264006	RED LEAD	1	66	973098001	DUST SHIELD	1
31	989985003	COLLET NUT	1	67	703774001	BALL	1
32	968305020	BALL BEARING 6001ZZ	1	68	998196001	COMPRESSION SPRING	1
33	622167012	RETAINING RING	1	70	663537001	VARIABLE SPEED LABEL	1
34	968306109	ARMATURE	1	71	973479001	PAD	1
35	972267001	BRUSH TUBE	2		972000087	OWNER'S MANUAL	
36	968304060	BRUSH ASSEMBLY	2				

SERVICE NOTES:

