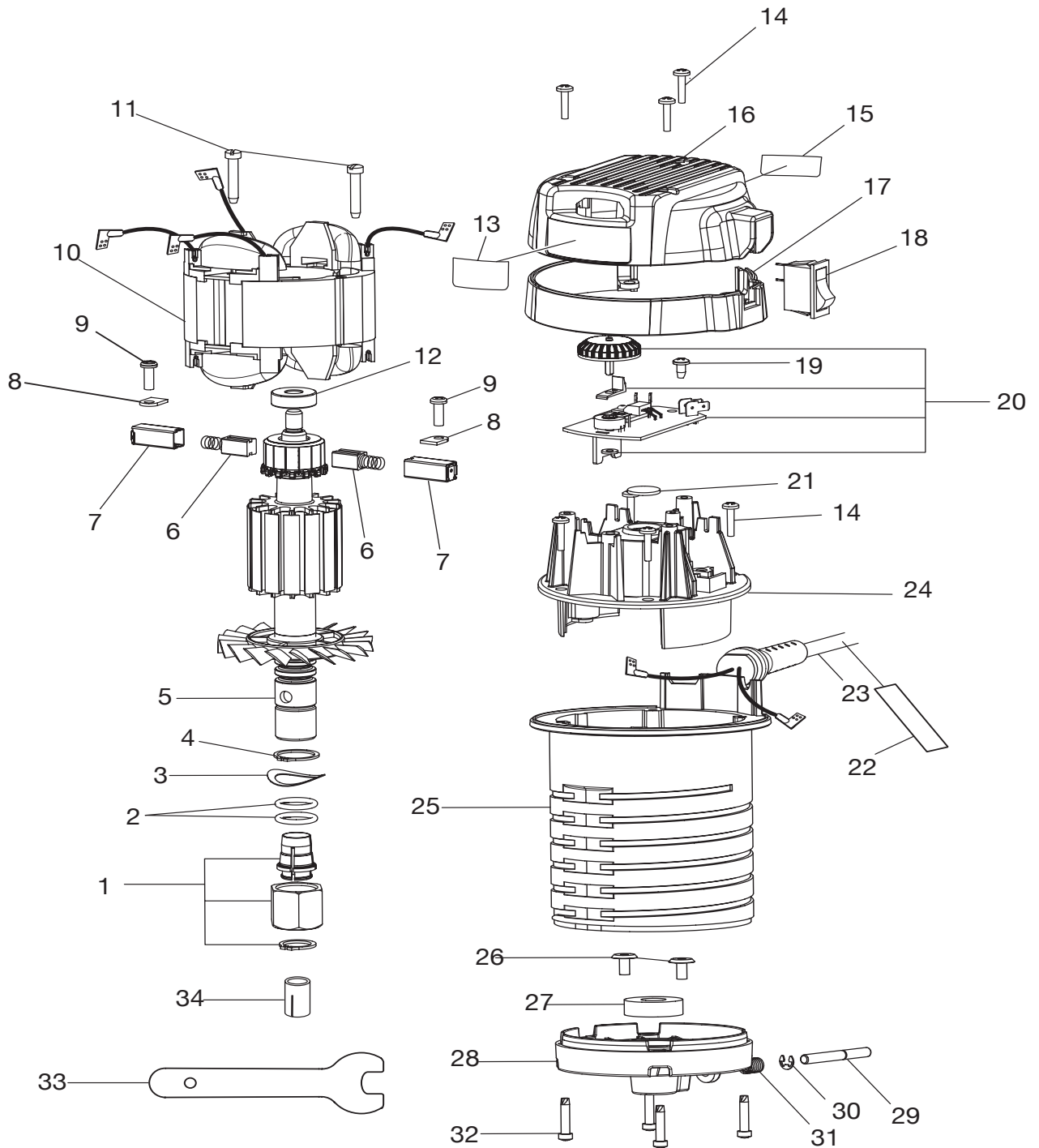


RYOBI ROUTER MOTOR - MODEL NUMBER RE1802M



WARNING: Improper repair of a double insulated tool can result in damages to the double insulation system possibly causing electrical shock or electrocution. Any repairs requiring disassembly of your tool requires safety testing and should only be performed by a Ryobi Authorized Service Center. For the service center nearest you call 1-800-525-2579.

RYOBI ROUTER MOTOR – MODEL NUMBER RE1802M

The model number will be found on a plate attached to the motor housing. Always mention the model number in all correspondence regarding your **ROUTER** or when ordering repair parts.

PARTS LIST

KEY NO.	PART NUMBER	DESCRIPTION	QTY.
1	982890-001	COLLET ASSEMBLY	1
2	969313-001	O RING	1
3	622347-018	SPRING WASHER	1
4	617932-002	RETAINING RING	1
5	982978-001	ARMATURE	1
6	610784-064	BRUSH W/SPRING	2
7	611686-003	BRUSH TUBE	2
8	617800-002	BRUSH TUBE CLAMP	2
9	968702-007	* SCREW (8-16 x 1/2 in. PAN HD.)	2
10	982729-007	FIELD	1
11	983048-171	* SCREW (10-16 X 1 in. FIL. HD.)	2
12	986294-003	BALL BEARING	1
13	982722-001	LOGO PLATE	1
14	617966-031	* SCREW (8-10 X 3/4 in. PAN HD.)	7
15	983415-001	DATA PLATE	1
16	983303-001	UPPER TOP CAP	1
17	983304-001	LOWER TOP CAP	1
18	982379-002	ROCKER SWITCH	1
19	968700-004	* SCREW (6-19 X 5/16 in. PAN HD)	1
20	983473-001	SPEED CONTROL ASSEMBLY	1
21	982974-001	INSULATOR	1
22	983462-001	CORD TAG	1
23	970777-030	CORD	1
24	982950-001	TOP BEARING PLATE	1
25	982951-001	MOTOR HOUSING	1
26	998401-001	* SCREW (10-32 x 3/8 in. WAFER HD.)	2
27	098460-041	BALL BEARING	1
28	982952-002	BEARING HOUSING	1
29	982959-004	SHAFT LOCK PIN	1
30	982899-014	E-RING	1
31	982716-001	SPRING	1
32	643526-006	* SCREW (8-18 X 3/4 in. PAN HD.)	4
33	982889-001	15/16 in. WRENCH	1
34	983579-001	1/4 in. ADAPTER	1
	983000-015	OPERATOR'S MANUAL	
	983000-015R	REPAIR SHEET (REV:01)	
	02-17-06		

*** Standard Hardware Item – May Be Purchased Locally**