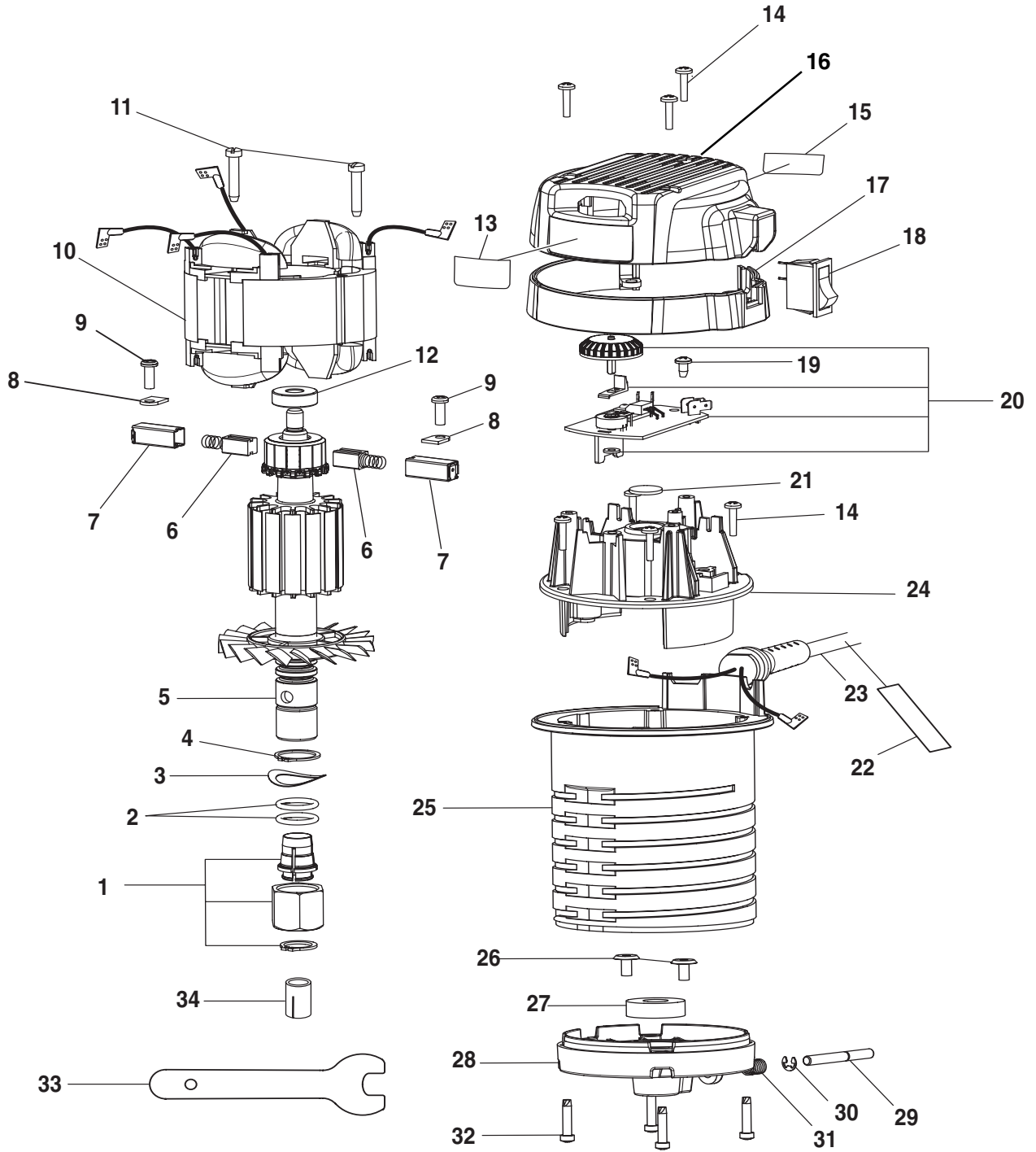


RYOBI ROUTER MOTOR – MODEL NUMBER RE1802M1



WARNING: Improper repair of a double insulated tool can result in damages to the double insulation system possibly causing electrical shock or electrocution. Any repairs requiring disassembly of your tool requires safety testing and should only be performed by a Ryobi Authorized Service Center. For the service center nearest you call 1-800-525-2579.

RYOBI ROUTER MOTOR – MODEL NUMBER RE1802M1

The model number will be found on a plate attached to the motor housing. Always mention the model number in all correspondence regarding your **ROUTER** or when ordering repair parts.

PARTS LIST

KEY NO.	PART NUMBER	DESCRIPTION	QTY.
1	300627004	COLLET ASSEMBLY	1
2	560746001	O RING	2
3	670343001	SPRING WASHER	1
4	680370001	RETAINING RING	1
5	740608001	ARMATURE	1
6	200233001	BRUSH W/SPRING	2
7	630081001	BRUSH TUBE	2
8	630801001	BRUSH TUBE CLAMP	2
9	660138001	* SCREW (8-16 x 1/2 in. PAN HD.)	2
10	200215005	FIELD ASSEMBLY	1
11	660062004	* SCREW (10-16 X 1 in. TYPE B SLOTTED)	2
12	680966001	BALL BEARING	1
13	940263112	LOGO PLATE	1
14	660103001	* SCREW (8-10 X 3/4 in. PAN HD.)	7
15	940301022	DATA PLATE	1
16	512018001	UPPER TOP CAP	1
17	342019001	LOWER TOP CAP	1
18	760357001	ROCKER SWITCH	1
19	660182003	* SCREW (6-19 X 5/16 in. PAN HD)	1
20	200238003	SPEED CONTROL ASSEMBLY	1
21	900924001	INSULATOR	1
22	940299509	CORD TAG	1
23	730377006	CORD	1
24	511982001	TOP BEARING PLATE	1
25	511986001	MOTOR HOUSING	1
26	660324001	* SCREW (10-32 x 3/8 in. WAFER HD.)	2
27	680733002	BALL BEARING	1
28	640673001	BEARING HOUSING	1
29	671249001	SHAFT LOCK PIN	1
30	671245001	E-RING	1
31	690141001	SPRING	1
32	660133007	* SCREW (8-18 X 3/4 in. PAN HD.)	4
33	670346001	15/16 in. WRENCH	1
34	670344005	1/4 in. COLLET ADAPTER	1
	983000-447	OPERATOR'S MANUAL	
	983000-447R	REPAIR SHEET	

* Standard Hardware Item – May Be Purchased Locally