

GC

# DUO-FAST

**NAIILERS STAPLERS FASTENERS**

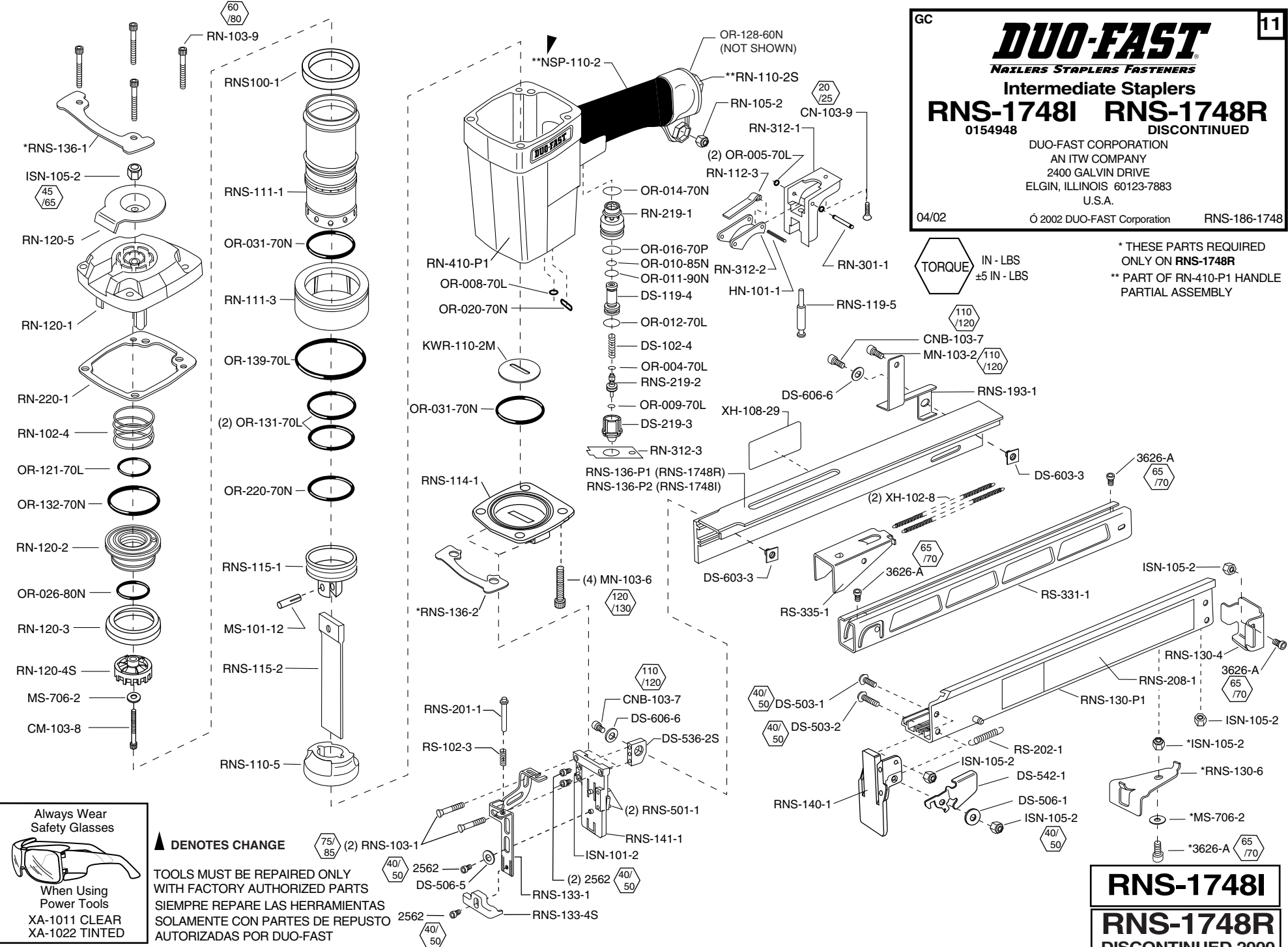
## Intermediate Staplers

### RNS-1748I RNS-1748R

0154948 DISCONTINUED

DUO-FAST CORPORATION  
AN ITW COMPANY  
2400 GALVIN DRIVE  
ELGIN, ILLINOIS 60123-7883  
U.S.A.

04/02 Ó 2002 DUO-FAST Corporation RNS-186-1748



**Always Wear Safety Glasses**

When Using Power Tools  
XA-1011 CLEAR  
XA-1022 TINTED

**▲ DENOTES CHANGE**

TOOLS MUST BE REPAIRED ONLY WITH FACTORY AUTHORIZED PARTS  
SIEMPRE REPAIRE LAS HERRAMIENTAS SOLAMENTE CON PARTES DE REPUESTO AUTORIZADAS POR DUO-FAST

**RNS-1748I**

**RNS-1748R**  
DISCONTINUED 2000

<u>UNIQUE #</u>	<u>PART NO.</u>	<u>DESCRIPTION</u>	<u>REPLACES</u>	<u>UNIQUE #</u>	<u>PART NO.</u>	<u>DESCRIPTION</u>	<u>REPLACES</u>
0383760	2562	SOCKET HD CAP SCREW		0158683	RN-110-2S	HANDLE PLUG	
0384750	3626-A	SOCKET HD CAP SCREW		0236794	RN-111-3	BULKHEAD CYLINDER	
0400325	CM-103-8	SOCKET HD CAP SCREW		0236802	RN-112-3	TRIP LEVER	
0435792	CN-103-9	FLAT HD SOC CAP SCREW		0318501	RN-120-1	CAP (MACH)	
0446559	CNB-103-7	SOCKET HD CAP SCREW		0262766	RN-120-2	POPPET	
0196303	DS-102-4	SPRING		0262774	RN-120-3	POPPET SEAL	
0174300	DS-119-4	VALVE STEM		0236224	RN-120-4S	EXHAUST SEAL	
0062315	DS-219-3	VALVE BUSHING		0262782	RN-120-5	MUFFLER COVER	
0102327	DS-503-1	SCREW		0100560	RN-219-1	VALVE HOUSING	
0102335	DS-503-2	SCREW		0068460	RN-220-1	GASKET	
0148940	DS-506-1	LATCH BUSHING		0157941	RN-301-1	PIVOT PIN, TRIGGER	
0527473	DS-506-5	WASHER		0158048	RN-312-1	TRIGGER HOUS. MOLDED	
0039727	DS-536-2S	MOUNTING BLOCK		0131557	RN-312-2	TRIGGER MOLDED	
0025593	DS-542-1	MAGAZINE LATCH		0158386	RN-312-3	VALVE RETAINER	
0067546	DS-603-3	INSERT NUT		1011870	RN-410-P1	HANDLE ASSEMBLY	
0067413	DS-606-6	WASHER		1013411	RNS-100-1	SQUARE SEAL	
0444711	HN-101-1	ROLL PIN		0140236	RNS-103-1	SHOULDER SCREW	
0413856	ISN-101-2	ROLL PIN		0140186	RNS-110-5	BUMPER	
0413922	ISN-105-2	ELASTIC STOP NUT		0139931	RNS-111-1	CYLINDER	
0067041	KWR-110-2M	SEAL DISC (MOLDED)		0153874	RNS-114-1	NOSE PLATE	
0206177	MN-103-2	SCREW		0140194	RNS-115-1	PISTON	
0017335	MN-103-6	SOCKET HD CAP SCREW		0142281	RNS-115-2	DRIVER BLADE	
0452755	MS-101-12	SHEAR-PROOF PIN		0140376	RNS-119-5	PUSH ROD	
0408302	MS-706-2	WASHER		0533778	RNS-130-P1	MAG. BASE PART. ASSY.	
1013693	* NSP-110-2	> GRIP	RNS-310-2	0139600	RNS-130-4	COVER GUARD	
0195552	OR-004-70L	O-RING		0139683	RNS-130-6	SHINGLE GUIDE	
0196352	OR-005-70L	O-RING		0142430	RNS-133-1	WORK CONTACT ELEMENT	
0197186	OR-008-70L	O-RING		0142398	RNS-133-4S	ADJ. SAFETY EXT.	
0305821	OR-009-70L	O-RING		0139899	RNS-136-1	WEAR GUARD, UPPER	
0390237	OR-010-85N	O-RING		0139865	RNS-136-2	WEAR GUARD, LOWER	
0390781	OR-011-90N	O-RING		0153775	RNS-140-1	REAR NOSE	
0197913	OR-012-70L	O-RING		0153890	RNS-141-1	FRONT NOSE	
0414342	OR-014-70N	O-RING		0139642	RNS-193-1	MOUNT BRACKET	
0189209	OR-016-70P	O-RING		0142414	RNS-201-1	PIN (YOKE SPRING)	
0392662	OR-020-70N	O-RING		1013871	RNS-208-1	PRODUCT LABEL	
0442590	OR-026-80N	O-RING		0140285	RNS-219-2	VALVE PIN	
0402289	OR-031-70N	O-RING		0140202	RNS-501-1	ROLL PIN (NOSE MATING)	
0221317	OR-121-70L	O-RING		0443200	RS-102-3	COMPRESSION SPRING	
0283754	OR-128-60N	O-RING		0450866	RS-202-1	EXTENSION SPRING	
0202291	OR-131-70L	O-RING		0223743	RS-331-1	TRACK ASM.	
0397711	OR-132-70N	O-RING		0223792	RS-335-1	PUSHER, STAPLE	
0202382	OR-139-70L	O-RING		0456772	XA-1011	EYE PROTECTION-CLEAR	
0043976	OR-220-70N	O-RING		0277806	XA-1022	EYE PROTECTION-TINTED	
0262261	RN-102-4	COMPRESSION SPRING		0398974	XH-102-8	EXTENSION SPRING	
0311266	RN-103-9	SOCKET HD CAP SCREW		0353722	XH-108-29	STANDARD CYCLE LABEL	
0262626	RN-105-2	LOCKNUT					

RNS-1748I  
RNS-1748R-DISCONTINUED 2000  
04/02 (11) GC

\* = NEW PART / > = PART CHANGE

	MODEL	RNS-1748R	RNS-1748I
MAG. COVER	PART NO. ITEM CODE	RNS-136-P1 0533752	RNS-136-P2 0533760